



US005601900A

United States Patent [19]
Doscher

[11] **Patent Number:** **5,601,900**
[45] **Date of Patent:** **Feb. 11, 1997**

- [54] **ANTI-SKID MAT**
- [76] **Inventor:** **Herbert Doscher**, 499 Davie St.,
Westbury, N.Y. 11590
- [21] **Appl. No.:** **462,206**
- [22] **Filed:** **Jun. 5, 1995**
- [51] **Int. Cl.⁵** **E01C 11/24; E01C 15/00;**
B32B 3/16
- [52] **U.S. Cl.** **428/149; 428/195; 428/143;**
428/150; 428/44; 428/492; 428/134; 428/131;
404/19; 404/32; 404/35; 238/14
- [58] **Field of Search** 428/195, 143,
428/149, 150, 44, 492, 134, 131; 404/19,
32, 35; 238/14

4,328,274	5/1982	Tarbutton et al.	428/149
4,501,783	2/1985	Hiragami et al.	428/147
4,596,731	6/1986	Cudmore et al.	428/134
4,931,330	6/1990	Stier et al.	428/40
4,998,670	3/1991	Peterson	238/14
5,094,902	3/1992	Haengi et al.	428/150
5,204,159	4/1993	Tan	428/143

Primary Examiner—William Watkins
Attorney, Agent, or Firm—Michael I. Kroll

[57] **ABSTRACT**

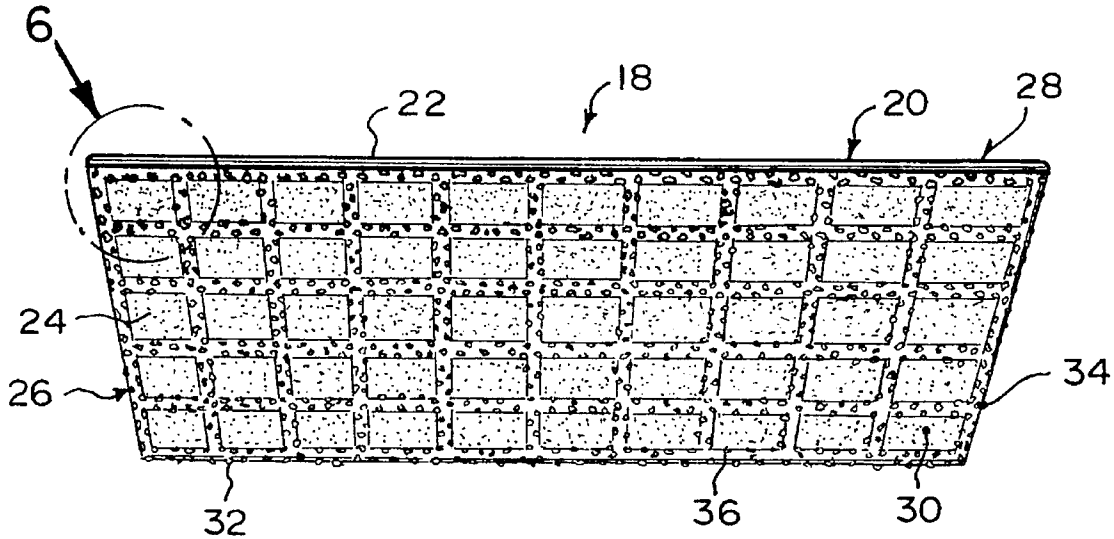
An anti-skid mat for placement upon a slippery support surface comprising a resilient matrix sheet member having a top surface and a bottom surface. An abrasive structure on the bottom surface of the resilient matrix sheet member is for preventing slippage of the resilient matrix sheet member on the slippery support surface. This forms a safe walkway for a person, when the person steps upon the top surface of the resilient matrix sheet member.

[56] **References Cited**

U.S. PATENT DOCUMENTS

3,335,645	8/1967	Eisenberg	238/14
4,223,835	9/1980	Witt et al.	238/14

1 Claim, 2 Drawing Sheets



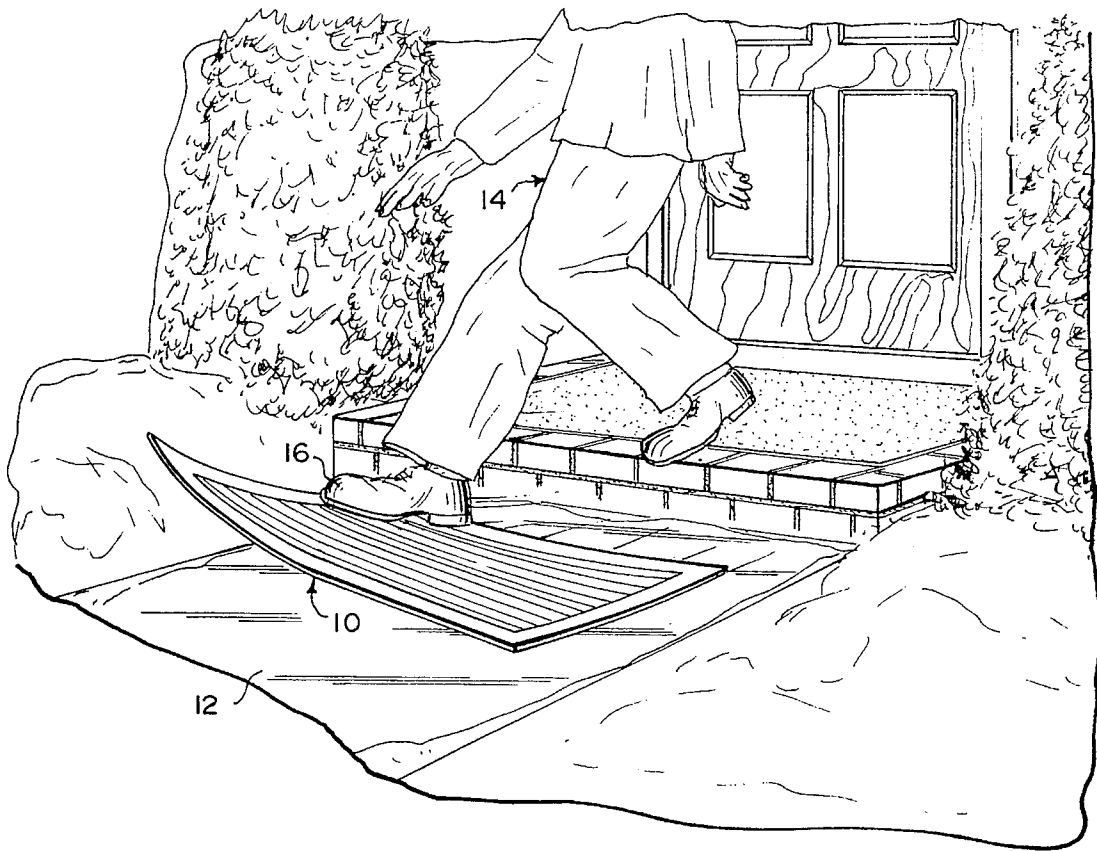


Fig. 1
(PRIOR ART)

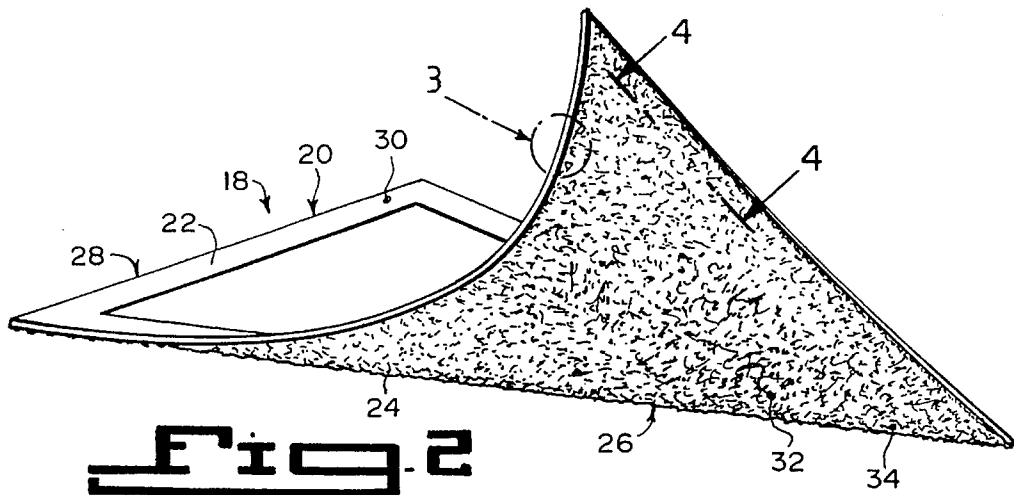


Fig. 2

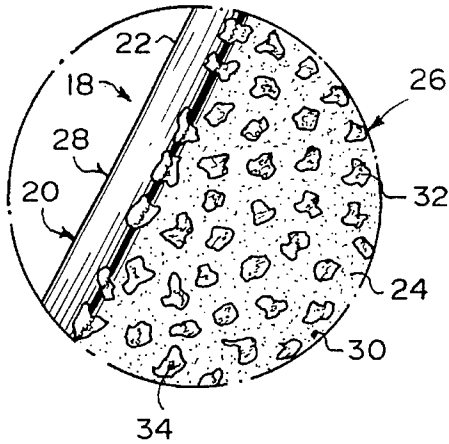


Fig. 3

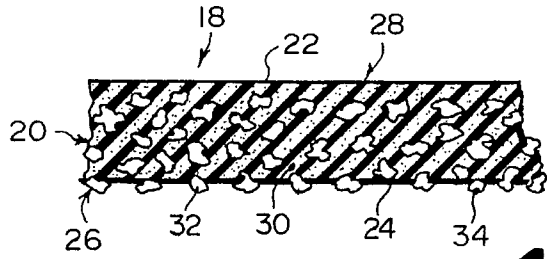


Fig. 4

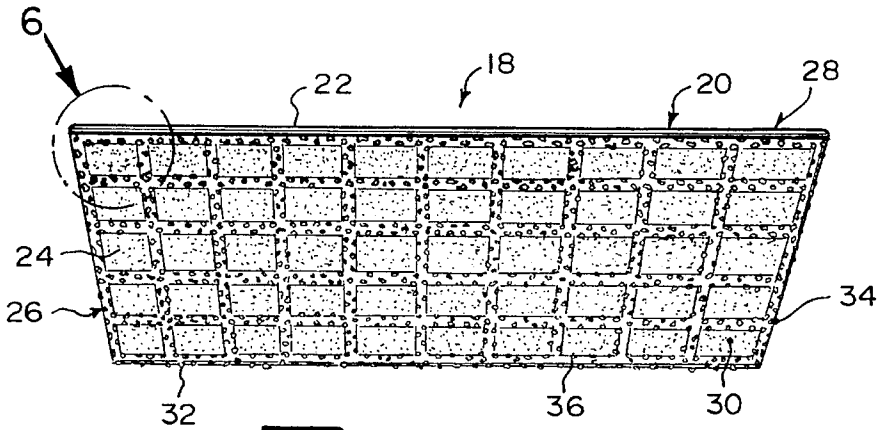


Fig. 5

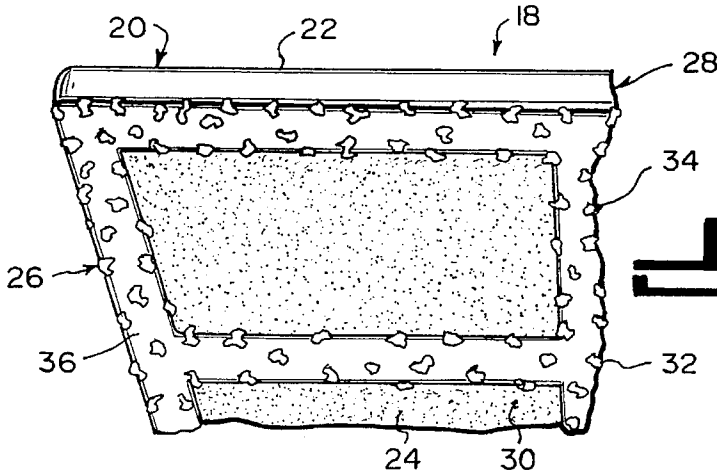


Fig. 6

5,601,900

1
ANTI-SKID MAT

2
HAENGGI, ROBERT A.

LAIRD, JAMES A.

BACKGROUND OF THE INVENTION

1. Field of the Invention

The instant invention relates generally to slip-resistant sheet materials and more specifically it relates to an anti-skid mat.

5 SKID-RESISTANT SURFACE MARKING MATERIAL

U.S. Pat. No. 5,094,902

A skid-resistant surface marking material is disclosed

[54] ENGINE CONSTRUCTION

5,036,930 8/1991 Bisel et al. 310/15 X
~~5,057,774 10/1991 Davis~~ 310/17

4,523,114 6/1985 Smith 310/24

1 Claim, 2 Drawing Sheets



[76] Inventor: **Raul M. Pino**, 153 7th St., Bethpage,

5,219,034 6/1993 Wortham 310/15 X

3

FIG. 3 is an enlarged perspective view of the area as indicated by arrow 3 in FIG. 2, showing the granules in greater detail.

FIG. 4 is an enlarged cross sectional view taken along line 4—4 in FIG. 2, showing the granules imbedded throughout the resilient matrix member.

FIG. 5 is a bottom perspective view of a second embodiment of the instant invention.

FIG. 6 is an enlarged perspective view of the area as indicated by arrow 6 in FIG. 5, showing the granules in greater detail.

Similar reference characters denote corresponding features consistently throughout the attached drawings.

DETAILED DESCRIPTION OF THE PREFERRED EMBODIMENTS

Turning now descriptively to the drawings, in which similar reference characters denote similar elements throughout the several views, FIG. 1 illustrates the prior art which is a conventional mat 10 placed upon a slippery support surface 12. A person 14 is shown stepping upon the mat 10 and the mat 10 sliding out from under the foot 16 which can cause injury to the person 14.

FIGS. 2 through 6 show the invention being an anti-skid mat 18 for placement upon the slippery support surface 12, comprising a resilient matrix sheet member 20 having a top surface 22 and a bottom surface 24. A structure 26 on the bottom surface of the resilient matrix sheet member is for preventing slippage of the resilient matrix sheet member on the slippery support surface. This forms a safe walkway for a person, when the person steps upon the top surface of the resilient matrix sheet member.

The resilient matrix sheet member 20 is a broad flat piece of elastic material 28. The resilient matrix sheet member 20 is made out of a rubber substance 30.

The slippage preventing structure 26 is a plurality of gripping granules 32 embedded into the bottom surface 24 of the resilient matrix sheet member 20. The gripping granules 32 are spaced apart and extend partially out of the bottom surface 24, to engage with the slippery support surface 12. The gripping granules 32 are embedded throughout the resilient matrix sheet member 20, so as to prevent the gripping granules 32 from wearing off of the bottom surface 24. The gripping granules 32 are each fabricated out of a silicon carbide substance 34.

As shown in FIGS. 2 to 4, the slippage preventing structure 26 cover substantially all of the bottom surface 24 of the resilient matrix sheet member 20. In FIGS. 5 and 6, the slippage preventing structure 26 is formed in a grid pattern 36, substantially along all of the bottom surface 24 of the resilient matrix sheet member 20. The grid pattern 36 will help make the anti-skid mat 18 more flexible to conform to the contour of irregular ground surfaces.

The resilient matrix sheet member 20 can be dimensioned to permit it to cover all of the slippery support surface 12, which can be a sidewalk that is wet, covered with ice, snow or mud. The gripping granules 32 each have irregular shaped edges, to better engage with the slippery support surface 12.

The anti-skid mat 18 can be made in long rolls, so that when spread out it will cover longer slippery support surfaces 12. The anti-skid mat 18 can also be made in narrow

4

rolls, so that when rolled up the anti-skid mat 18 can be put under motor vehicle wheels in lieu of sand or other traction devices.

The anti-skid mat 18 can be used on sidewalks, on stairs, in ice rinks, in driveways, for car traction, at work areas, at emergency scenes such as around fire encnes and ambulances in icy weather and on handicapped ramps. The anti-skid mat 18 can be used by itself or in multiple layers for different situations. It also can be made in many shapes and sizes, such as mats, runners, treads, strips or large sheets. The anti-skid mat 18 can be easily customized and personalized with words and pictures printed on the top surface 22.

The anti-skid mat 18 will eliminate messy sand, gravel or salt from being tracked indoors, while helping to prevent ground contamination from salt being used. The anti-skid mat 18 may be made from recycled materials, therefore being environmentally friendly. It is reusable, easy to use, store and easily cleaned, especially for elderly people.

It will be understood that each of the elements described above, or two or more together may also find a useful application in other types of methods differing from the type described above.

While certain novel features of this invention have been shown and described and are pointed out in the annexed claims, it is not intended to be limited to the details above, since it will be understood that various omissions, modifications, substitutions and changes in the forms and details of the device illustrated and in its operation can be made by those skilled in the art without departing in any way from the spirit of the present invention.

Without further analysis, the foregoing will so fully reveal the gist of the present invention that others can, by applying current knowledge, readily adapt it for various applications without omitting features that, from the standpoint of prior art, fairly constitute essential characteristics of the generic or specific aspects of this invention.

What is claimed is desired to be protected by Letters Patent is set forth in the appended claims:

1. An anti-skid mat of extended length for placement upon a slippery support surface comprising:

- a) a one piece resilient matrix sheet member of rubber elastic material having a top surface and a bottom surface and conforming means to help said sheet member be more flexible to conform to the contour of irregular ground surfaces; and
- b) means on said bottom surface of said resilient matrix sheet member for preventing slippage of said resilient matrix sheet member on said slippery support surface comprising a plurality of gripping granules of a silicon carbide substance embedded into said bottom surface spaced apart and extending partially out of said bottom surface to engage said slippery support surface, said conforming means consisting of said means on said bottom surface being formed into a grid pattern, thereby forming a safe walkway for a person, when the person steps upon said top surface of said resilient matrix sheet member.

* * * * *