



US005769090A

# United States Patent [19] Brown

[11] Patent Number: **5,769,090**

[45] Date of Patent: **Jun. 23, 1998**

[54] FEMALE SECURITY DEVICE

[76] Inventor: **Norma Brown**, 2721 Kings Hwy., Apt. 4M, Brooklyn, N.Y. 11229

[21] Appl. No.: **915,166**

[22] Filed: **Aug. 20, 1997**

[51] Int. Cl.<sup>6</sup> ..... **A61F 5/37**

[52] U.S. Cl. .... **128/883; 128/884**

[58] Field of Search ..... 128/846, 883, 128/884; 600/38-41

[56] **References Cited**

**U.S. PATENT DOCUMENTS**

14,739	4/1856	Sibley	128/883
429,068	5/1890	Sommerville	128/883
723,259	3/1903	Fraser	128/883
789,286	5/1905	Main	128/883
826,377	7/1906	Sonn	128/883
1,215,028	2/1917	Jones	128/883
1,243,629	10/1917	Roddy	128/883
1,266,393	5/1918	Bowen	128/883
4,016,875	4/1977	Levesque .	
4,030,490	6/1977	Vogel .	
4,167,183	9/1979	Barlow .	
4,237,876	12/1980	Rumph et al. .	
5,353,811	10/1994	Davis et al. .	

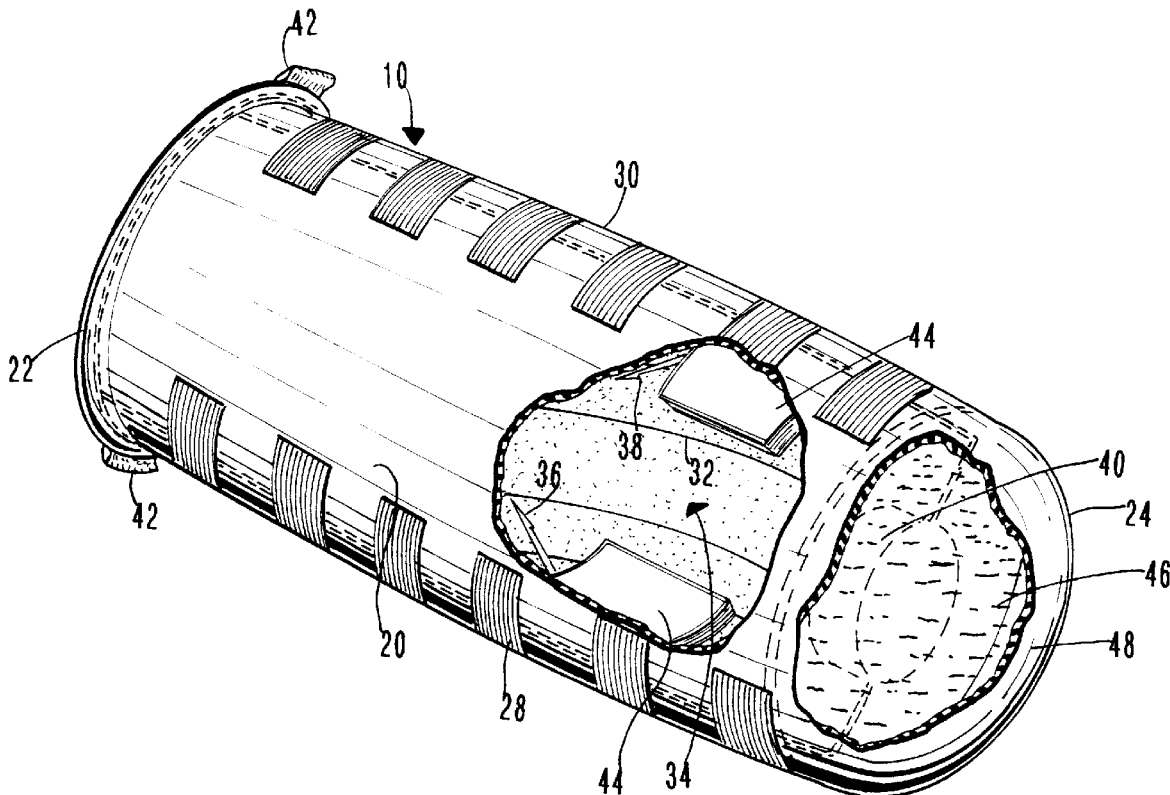
Attorney, Agent, or Firm—Michael I. Kroll

[57] **ABSTRACT**

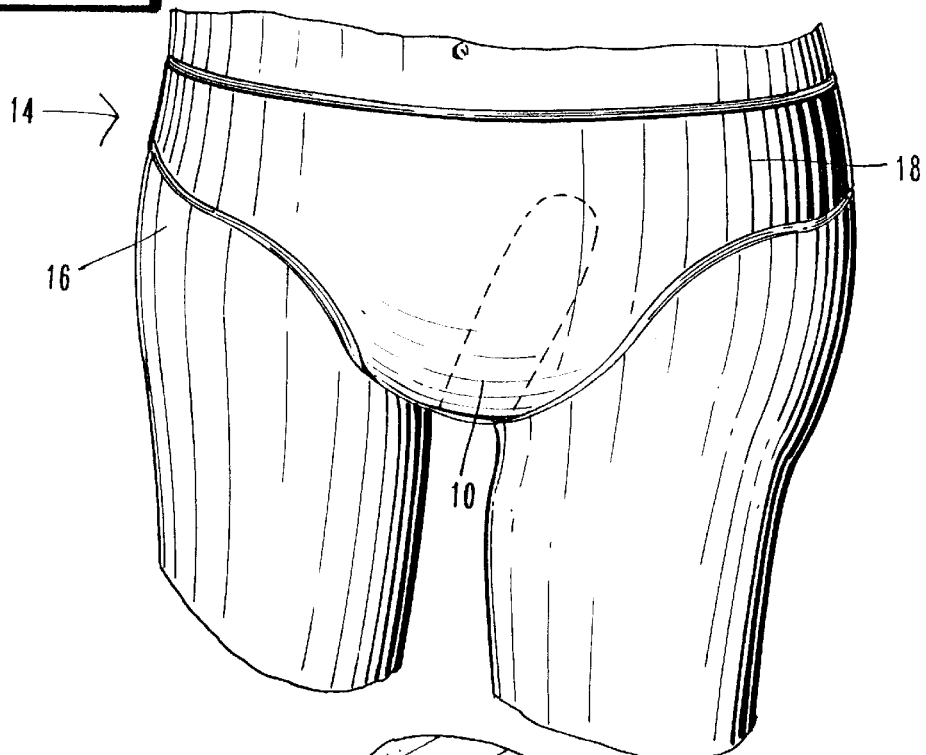
A female security device placed within a vaginal cavity to protect and minimize physical damage caused by physical sexual intercourse. The female security device includes a cylindrical housing including a first open end and a second closed end. The second closed end is inserted deeper within the vaginal cavity than the first open end and an inner surface of the cylindrical housing is able to absorb any fluid dispensed therein. Pressure sensors are positioned there-around for sensing contractions in walls of the vaginal cavity and a pressure sensor is positioned therein for sensing pressure caused by insertion of an object into the cylindrical cavity. A needle is positioned to extend into the cylindrical cavity for contacting the object inserted therein and retaining a tissue sample of the object. A microcomputer is connected to the external and internal sensors for determining when an object has been inserted therein and a reservoir is connected for releasing an identification dye to discolor the object upon making such a determination. Furthermore, the needle is able to inject a tissue irritant into the object upon contact therewith and thus cause an irritation to form. An auditory recorder may also be connected to the microcomputer and activated upon a determination that an object has been inserted therein for recording all sounds occurring during the sexual intercourse and a vibrating ring may be activated at that time to notify the user that the device has been activated.

Primary Examiner—Michael A. Brown

**19 Claims, 7 Drawing Sheets**



**Fig. 1**



**Fig. 2**

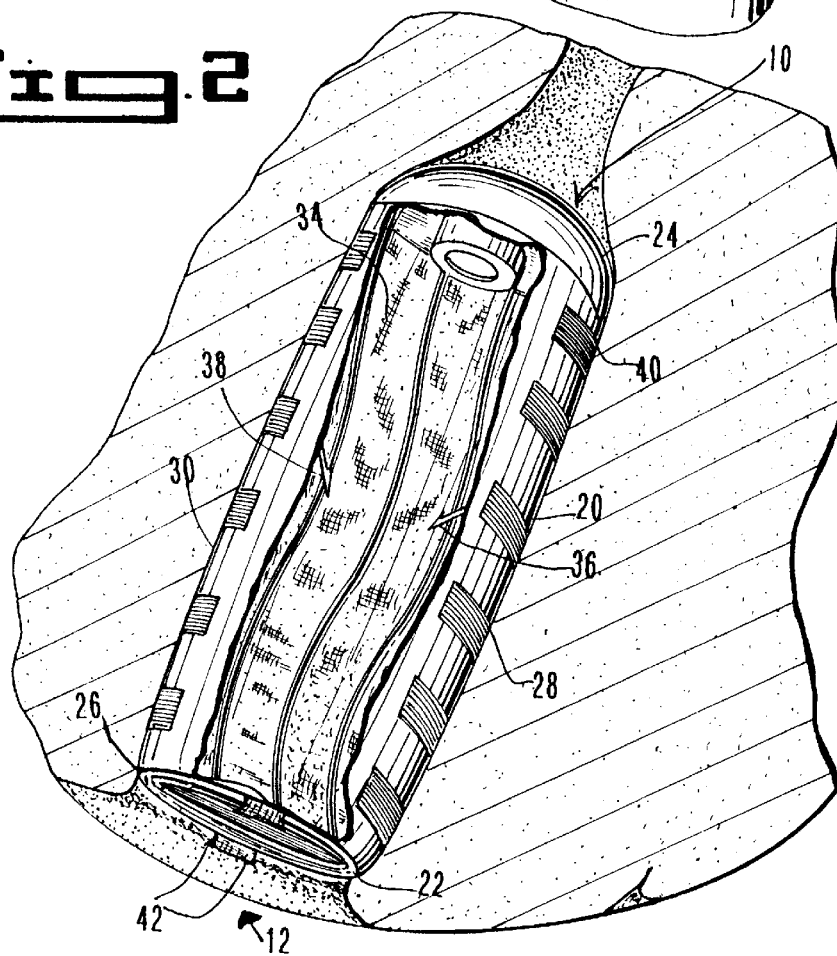


FIG. 3

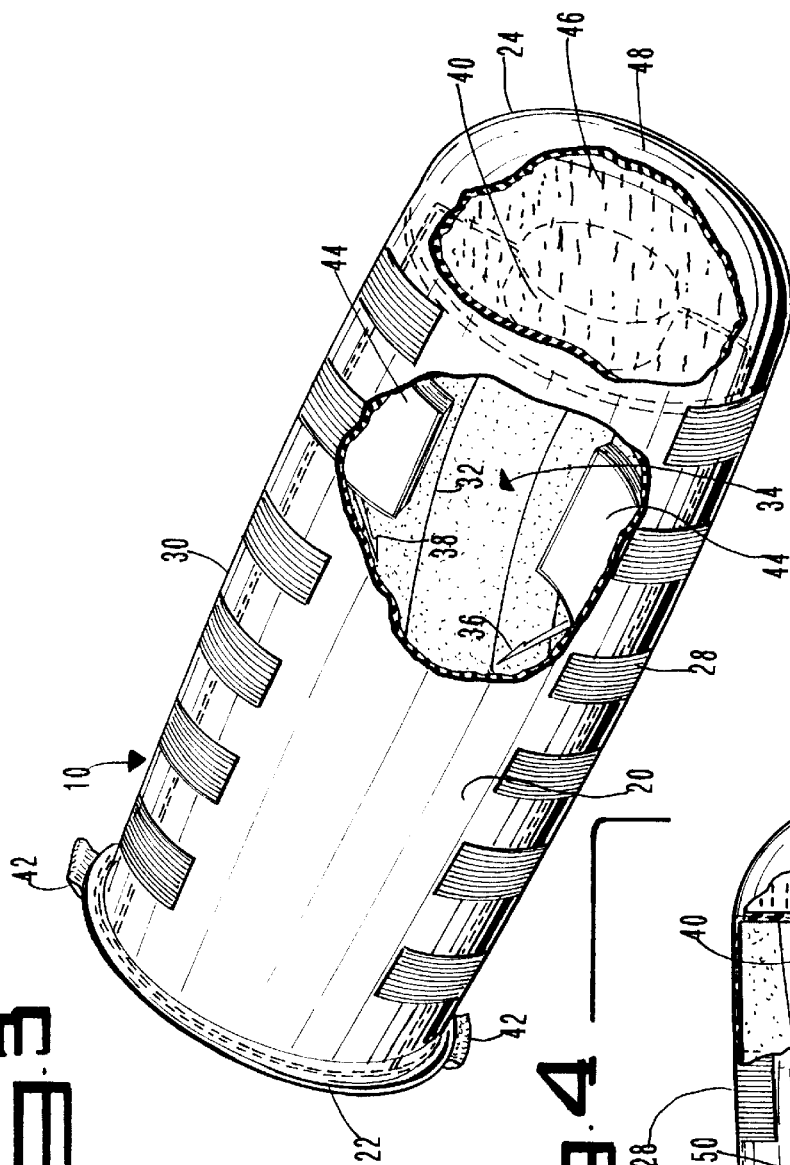
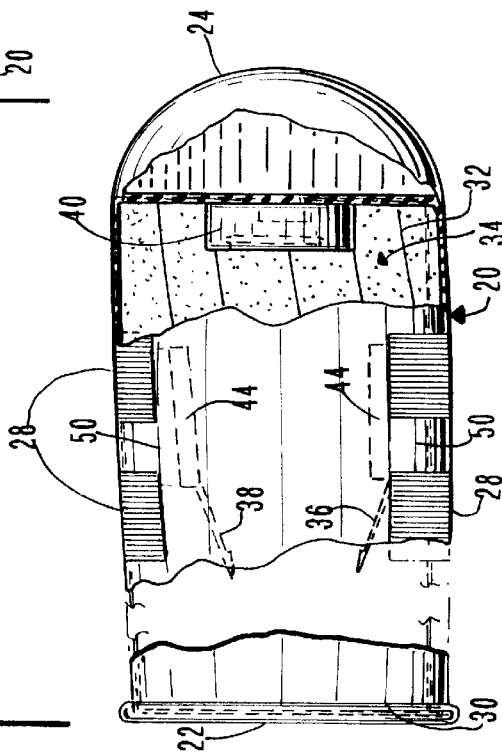
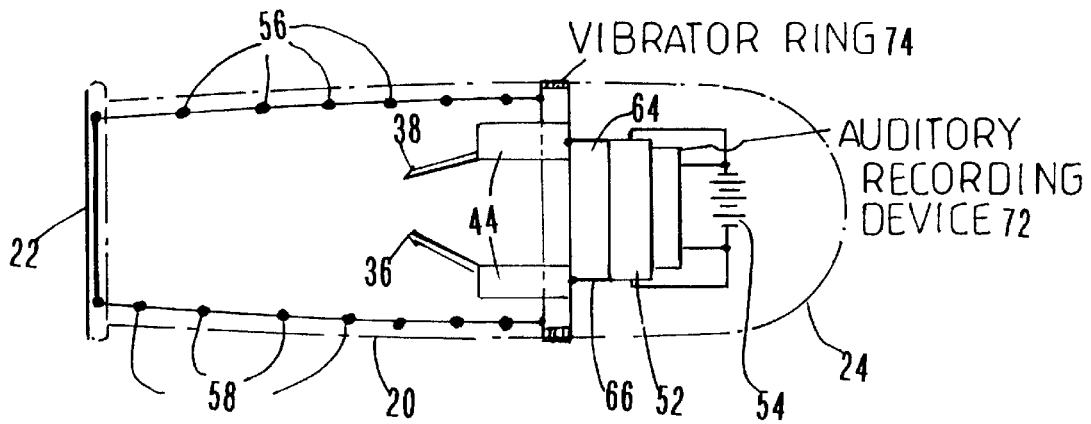
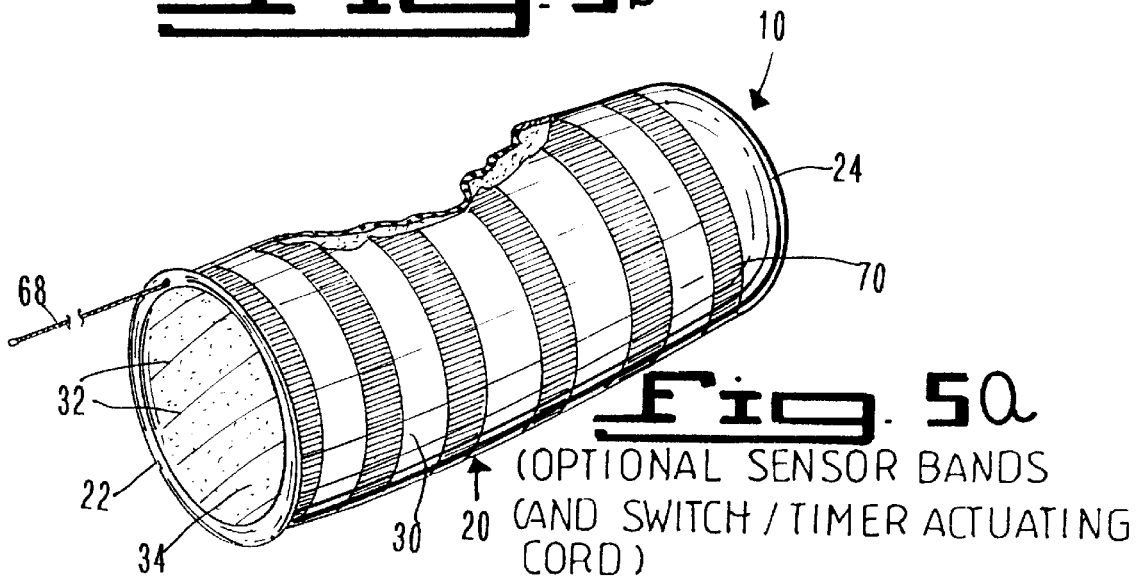


FIG. 4



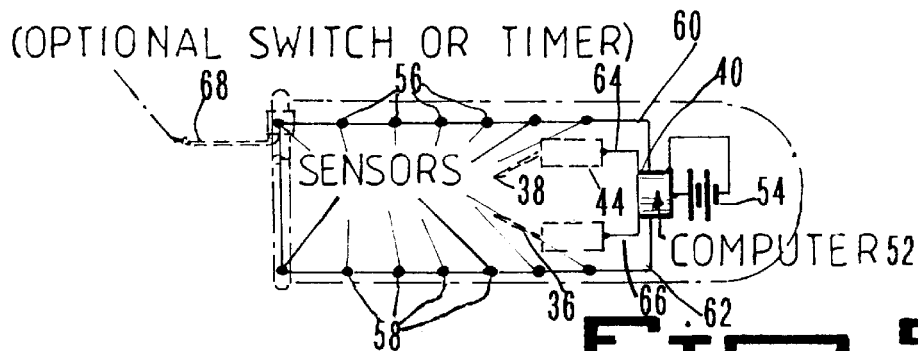


**Fig. 5b**

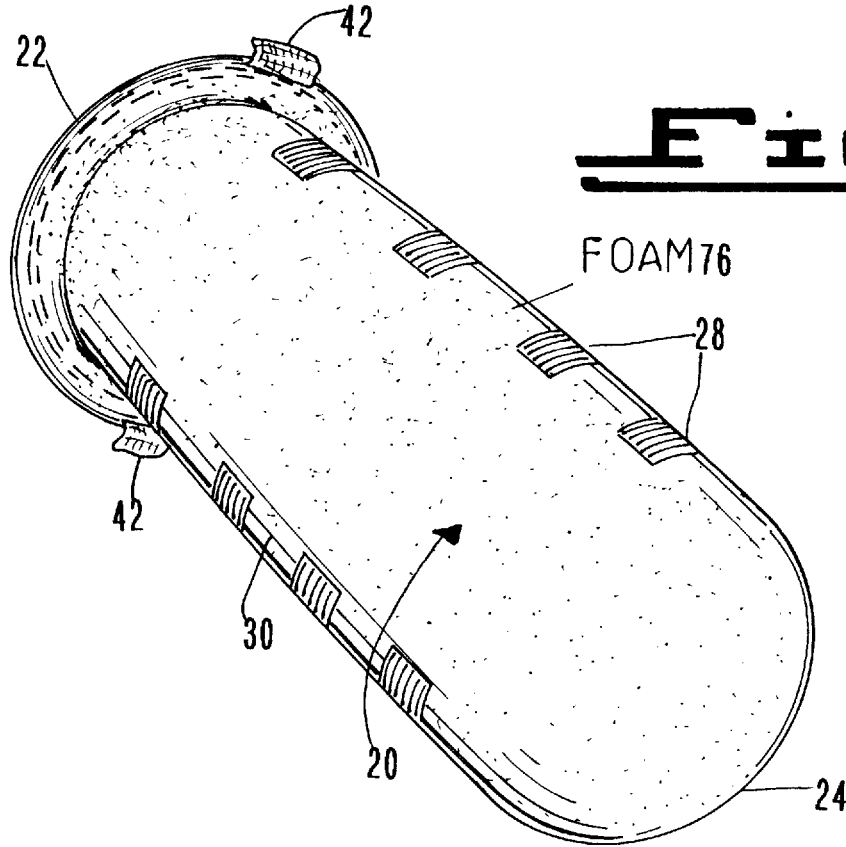


**Fig. 5a**

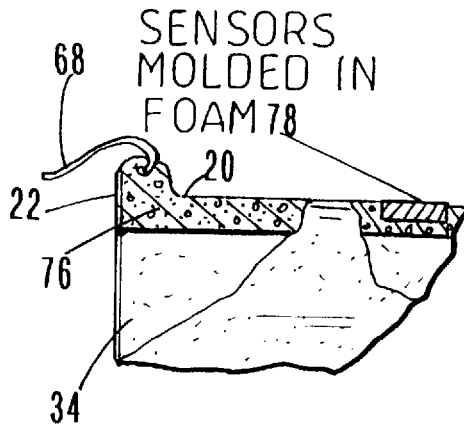
(OPTIONAL SENSOR BANDS  
(AND SWITCH / TIMER ACTUATING  
CORD))



**Fig. 5**

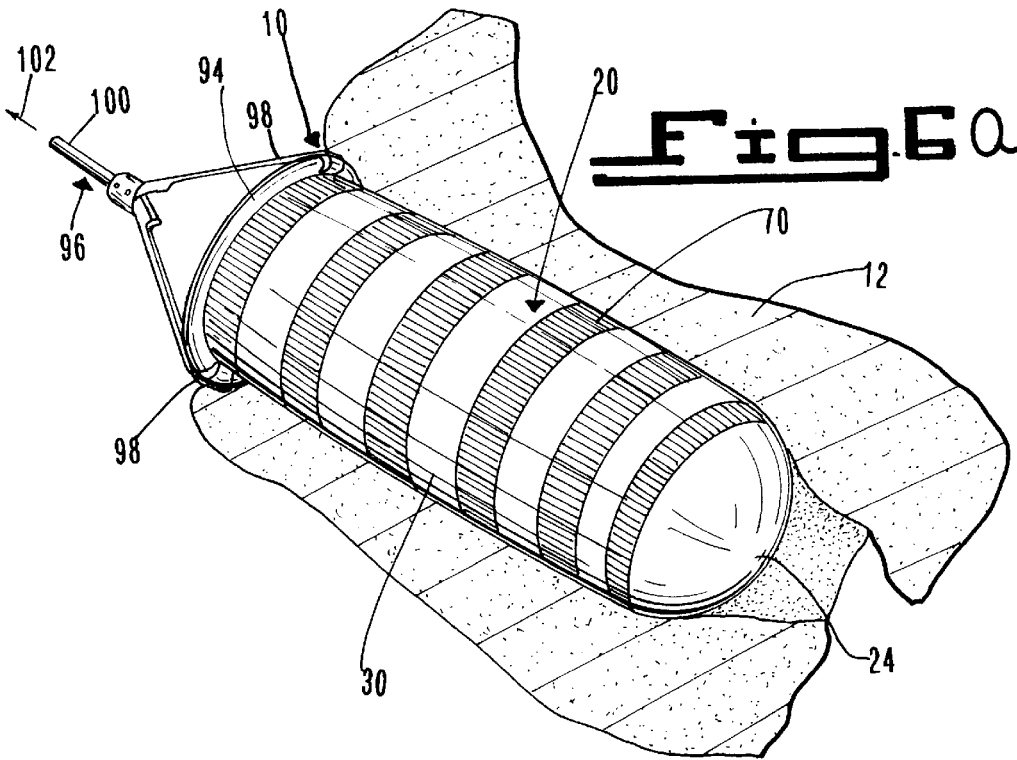
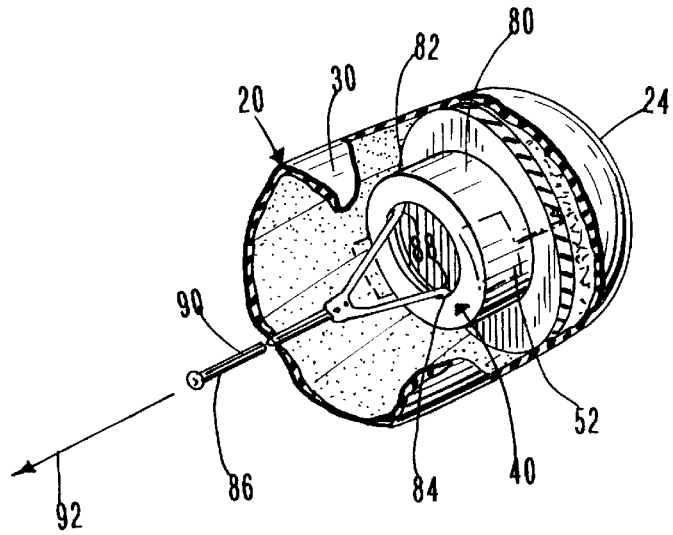


**Fig. 5c**

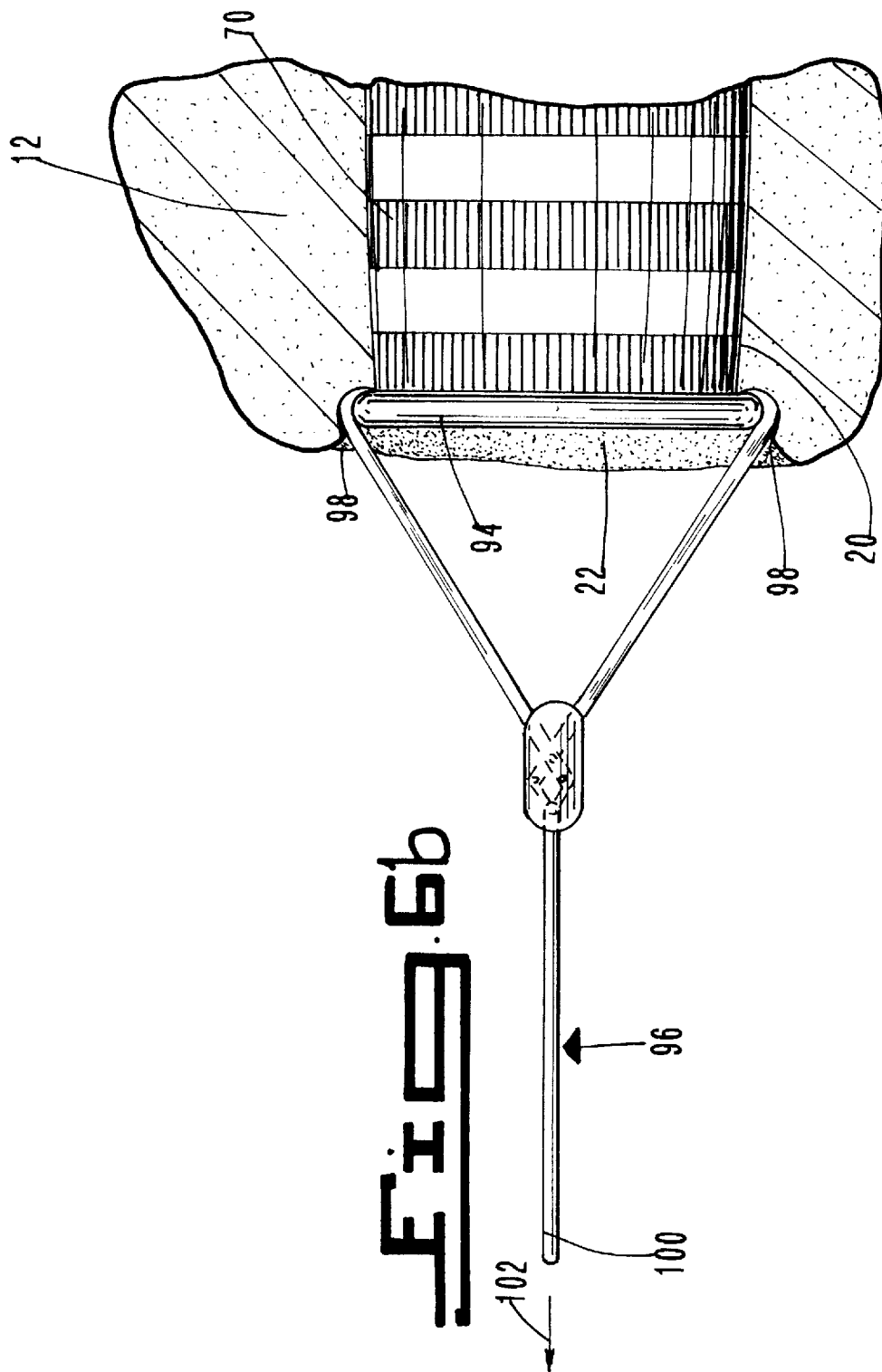


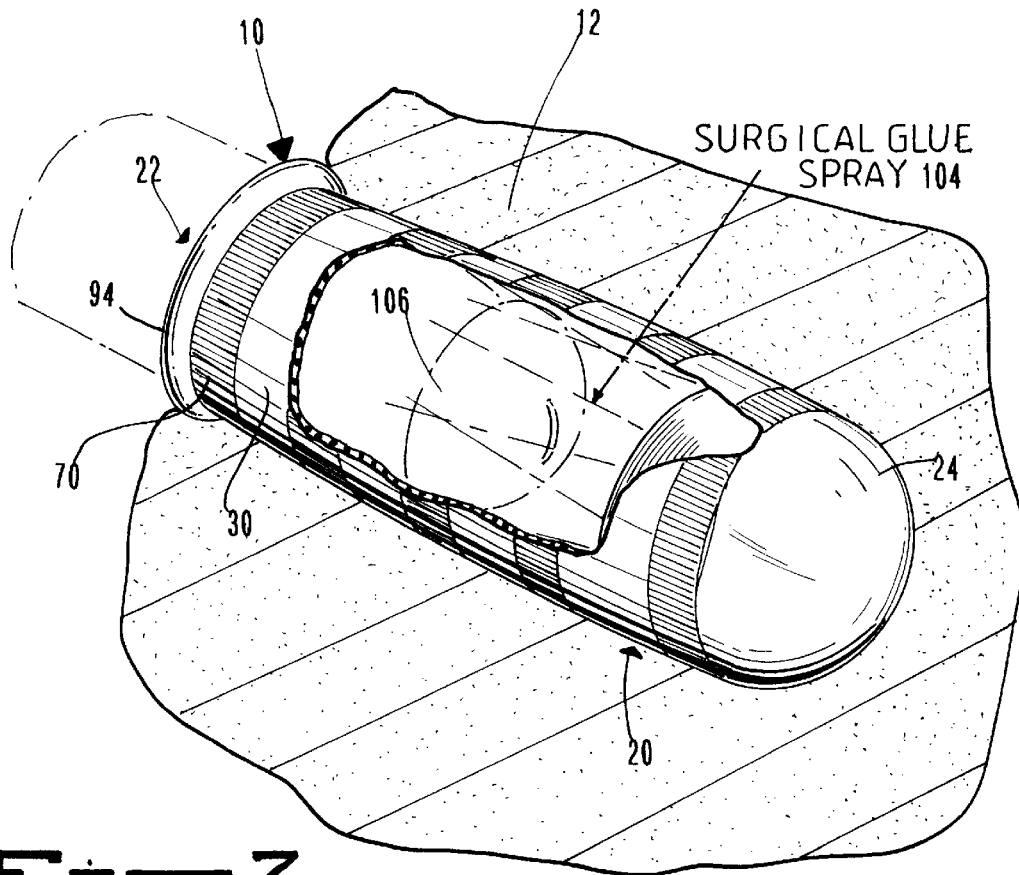
**Fig. 5d**

**Fig. 6**

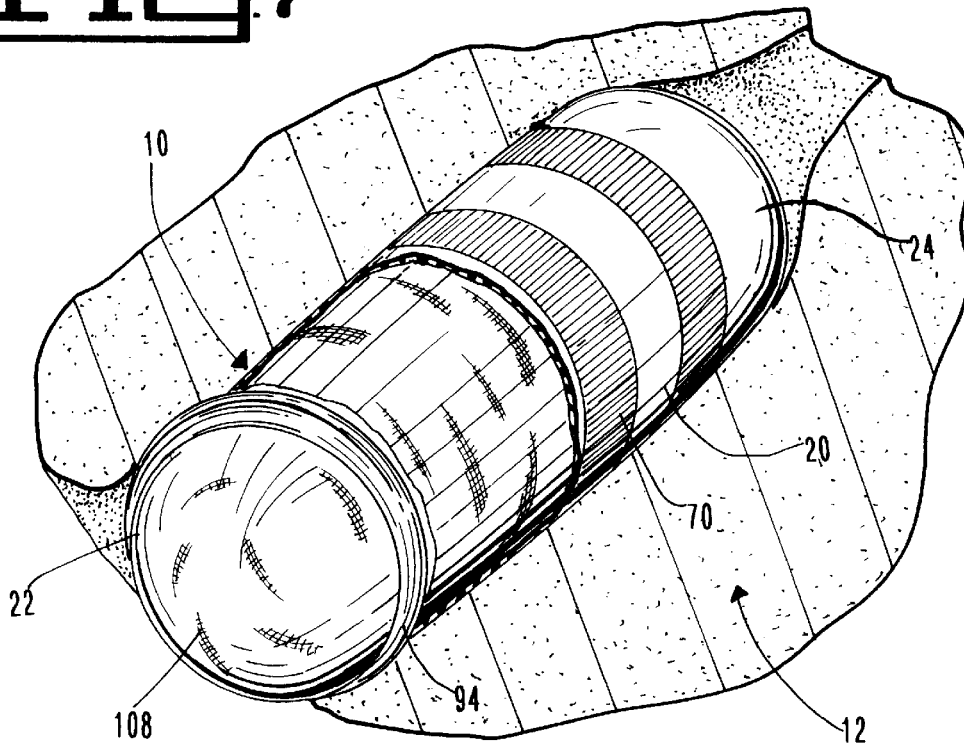


**Fig. 6a**





**Fig. 7**



**Fig. 8** (AIRBAG DEPLOYED AS BARRIER TO PENETRATION)



1

**FEMALE SECURITY DEVICE****BACKGROUND OF THE INVENTION**

## 1. Field of the Invention

The present invention relates generally to sexual protection devices for females and, more specifically, to a device for defending against and providing protection for females against rape.

## 2. Description of the Prior Art

Numerous sexual and rape protection devices for females have been provided in the prior art. For example, U.S. Pat. Nos. 4,016,875; 4,030,490; 4,167,183; 4,237,876 and 5,353,811 all are illustrative of such prior art. While these units may be suitable for the particular purpose to which they address, they would not be as suitable for the purposes of the present invention as heretofore described.

U.S. Pat. No. 4,016,875

Inventor: Alston L. Levesque

Issued: Apr. 12, 1977

A plurality of rigid members forming lateral enlargements engage a plurality of housing members having lateral slots to secure the enlargements, springs within the housing press the rigid members distal to the housing to retain the device within a woman's vagina and a blade, which may have barbs on its edge, is pivotally mounted within a slot in the internal surface of the housing.

U.S. Pat. No. 4,030,490

Inventor: George N. Vogel

Issued: Jun. 21, 1977

Female protective device to prevent rape, the device including an elongated slender shaft having a sharp end, a first annular enlargement fixed around the shaft adjacent to but spaced from the sharp end, and a second enlargement connected by a flexible joint to the other end of the shaft. The device is worn internally with the sharp end pointed outwardly.

U.S. Pat. No. 4,167,183

Inventor: Charles Barlow

Issued: Sep. 11, 1979

An anti-rape device adapted to be inserted into the vaginal cavity of a human female, which comprises a base member to which is attached elongated penis penetrating means which projects outwardly toward the mouth of the vaginal cavity when the device is operationally positioned within the vaginal cavity of a human female. The elongated penis penetrating means is surrounded or enveloped by retractable means which serves to prevent the walls of the vaginal cavity from contacting the penis penetrating means and which is adapted to be retracted upon penetration of the vaginal cavity by a male penis to permit penetration of the penis by the penis penetrating means.

U.S. Pat. No. 4,237,876

Inventor: Joel D. Rumph et al.

Issued: Dec. 9, 1980

An anti-rape device having a hollow housing adapted to be worn within a human vagina. The housing has a front

2

opening and contains a hypodermic syringe having a volume of rape-detering fluid and a needle facing and aligned with the front opening. Actuator means in the housing are provided which include housing means such as a spring to force the needle through the front opening and inject the fluid, cocking means to cock the device into a position which totally shields the needle within the housing, and prevents action of the spring, and trigger means which automatically releases the cocking means, upon forceful penis penetration of a vagina containing the device, to permit the spring to protrude the needle and inject the fluid into the penis. Preferably, the fluid is a quick-acting, safe narcotic such as scopolamine, or the like to render the rapist unconscious.

U.S. Pat. No. 5,353,811

Inventor: Sandra L. Davis et al.

Issued: Oct. 11, 1994

The invention is made of a flexible metal rim containing within its circumference plastic, triangular, pointed, curved spears, which move only inward. Attached to the rim is a thin, hollow, rubber pocket, reinforced in a cage-like manner with heavier rubber. It can be pre-lubricated in the manner of a condom. It is inserted into the vagina by the woman wearing it by folding the pocket lengthwise and pushing it into the vaginal cavity. Upon release, the pocket expands slightly to fill the vaginal cavity. The flexible metal rim can then be pushed upward to fit into the outer end of the vaginal opening. It has two small lips, at the top and bottom of the flexible rim, which are used as grips for removal. A woman can pry either lip with a thumbnail or fingernail and draw the invention out of the vagina. It is disposable. It can be worn for more than 24 hours, as an association between wearing it and toxic shock syndrome in some women will not have been established. A physician can be consulted as to proper insertion and care. It can be made in small, medium and large sizes to accommodate different vaginas and it can be worn by women of all ages. It can be made of several types of rubber and plastic, some more flexible than others.

**SUMMARY OF THE PRESENT INVENTION**

The present invention relates generally to sexual protection devices for females and, more specifically, to a device for defending against and providing protection for females against rape.

A primary object of the present invention is to provide a female security and rape prevention device that will overcome the shortcomings of prior art devices.

Another object of the present invention is to provide a female security and rape prevention device which is able to retrieve evidence of rape and provide evidence for identifying a perpetrator.

An additional object of the present invention is to provide a female security and rape prevention device including pressure sensitive sensors responding to pressure applied to a vaginal wall and a microcomputer connected to the sensors for activating the device upon receipt of signals from the sensors indicating vaginal muscle contraction indicative of penile penetration.

A further object of the present invention is to provide a female security and rape prevention device which includes a double sided needle able to obtain a penile tissue sample upon pullback by the rapist.

A yet further object of the present invention is to provide a female security and rape prevention device which is able

to inject a tissue irritant into the penis of a rapist upon insertion into the device.

Another object of the present invention is to provide a female security and rape prevention device that is positioned within the vaginal cavity of a female and is able to remove excess tissue irritant and retain a semen sample of the rapist.

A still further object of the present invention is to provide a female security and rape prevention device that is simple and easy to use.

An even further object of the present invention is to provide a female security and rape prevention device that is economical in cost to manufacture.

Additional objects of the present invention will appear as the description proceeds.

A female security and rape prevention device for placement within a vaginal cavity of a female to protect and minimize physical damage caused by physical sexual intercourse is disclosed by the present invention. The female security and rape prevention device includes a cylindrical housing including an outer surface, an inner surface defining a recess extending through the cylindrical housing, a first open end and a second closed end. The second closed end is inserted deeper within the vaginal cavity than the first open end and the inner surface is coated with a material able to absorb any fluid dispensed within the cylindrical housing. A plurality of pressure sensors are positioned around the outer surface for sensing contractions in walls of the vaginal cavity and at least one pressure sensor for sensing pressure caused by insertion of an object into the cylindrical cavity is positioned within the cylindrical cavity. At least one needle is positioned to extend into the inner side of the cylindrical cavity for contacting the object inserted into the cylindrical cavity and retaining a tissue sample of the object. The female security and rape prevention device also includes a micro-computer connected to the external and internal sensors for determining when an object has been inserted into the cylindrical housing and a reservoir for storing an identification dye which is released to discolor the object upon making such a determination. Furthermore, the needle is able to inject a tissue irritant into the object upon contact therewith and thus cause an irritation to form on the object. An auditory recorder may also be connected to the micro-computer and activated upon a determination that an object has been inserted therein for recording all sounds occurring during the sexual intercourse and a vibrating ring may be activated at that time to notify the user that the device has been activated.

To the accomplishment of the above and related objects, this invention may be embodied in the form illustrated in the accompanying drawings, attention being called to the fact, however, that the drawings are illustrative only, and that changes may be made in the specific construction illustrated and described within the scope of the appended claims.

#### BRIEF DESCRIPTION OF THE DRAWING FIGURES

Various other objects, features and attendant advantages of the present invention will become more fully appreciated as the same becomes better understood when considered in conjunction with the accompanying drawings, in which like reference characters designate the same or similar parts throughout the several views.

FIG. 1 is a perspective view of the female security and rape prevention device of the present invention shown in dashed lines positioned within the vaginal cavity of a woman;

FIG. 2 is a perspective view with parts cut away of the female security and rape prevention device of the present invention;

FIG. 3 is a perspective view in partial cross-section with parts cut away of the female security and rape prevention device of the present invention;

FIG. 4 is a side view in partial cross-section with parts cut away of the female security and rape prevention device of the present invention;

FIG. 5 is a schematic diagram illustrating electrical circuitry within the female security and rape prevention device of the present invention;

FIG. 5a is a top perspective view in partial cross-section with parts cut away of the female security and rape prevention device of the present invention illustrating optional sensor bands and a switch timer actuating cord;

FIG. 5b is a schematic diagram illustrating electrical circuitry of the female security and rape prevention device of the present invention including a vibrator ring and auditory recording device;

FIG. 5c is a top perspective view of the female security and rape prevention device of the present invention including a foam outer layer;

FIG. 5d is an exploded view of a portion of an outer layer of the female security and rape prevention device of the present invention illustrated in FIG. 5c including sensors molded in the foam outer layer;

FIG. 6 is a top perspective view in partial cross-section with parts cut away of a top portion of the female security and rape prevention device of the present invention including a first device for removal from the vaginal cavity;

FIG. 6a is a top perspective view of the female security and rape prevention device of the present invention including a second device for removal from the vaginal cavity;

FIG. 6b is a side view of the female security and rape prevention device of the present invention including the second device for removal from the vaginal cavity;

FIG. 7 is a top perspective view of the female security and rape prevention device of the present invention in position inserted within a vaginal area of a female and including a surgical glue spray; and

FIG. 8 is a top perspective view of the female security and rape prevention device of the present invention in position inserted within a vaginal area of a female wherein an air bag is deployed to prevent penile penetration by a potential rapist.

#### DESCRIPTION OF THE REFERENCED NUMERALS

Turning now descriptively to the drawings, in which similar reference characters denote similar elements throughout the several views, the Figures illustrate the female security and rape prevention device of the present invention. With regard to the reference numerals used, the following numbering is used throughout the various drawing figures.

- 10 midsection of female wearing the female security and rape prevention device of the present invention
- 12 vaginal cavity
- 14 female using security and rape prevention device of the present invention
- 16 midsection of female
- 18 undergarment of female
- 20 cylindrical housing

## 5

22 first open end of the cylindrical housing  
 24 second closed end of the cylindrical housing  
 26 frontal pressure sensor aperture  
 28 external surface pressure sensors  
 30 outer side of the cylindrical housing  
 32 ribs within cylindrical housing  
 34 inner side of the cylindrical housing  
 36 first needle  
 38 second needle  
 40 connection device  
 42 tabs  
 44 internal surface pressure sensors  
 46 jell within second closed end  
 48 latex bladder sealing second closed end  
 50 reservoir containing identification dye  
 52 microcomputer  
 54 power source  
 56 first group of external surface pressure sensors  
 58 second group of external surface pressure sensors  
 60 line connecting microcomputer to first group of external surface pressure sensors  
 62 line connecting microcomputer to second group of external surface pressure sensors  
 64 line connecting first internal surface pressure sensor to microcomputer  
 66 line connecting second internal surface pressure sensor to microcomputer  
 68 activation switch  
 70 external surface pressure sensors  
 72 auditory recording device  
 74 vibrator ring  
 76 foam outer covering for cylindrical housing  
 78 sensors molded in foam outer covering  
 80 central portion of connection device  
 82 skirt extending from central portion of connection device  
 84 lip extending around skirt  
 86 tong  
 88 pair of pivotal outwardly curling clips  
 90 handle of tong  
 92 arrow indicating direction of removal  
 94 lip around first open end of cylindrical housing  
 96 pair of tongs  
 98 pair of pivotal inwardly curling clamps  
 100 handle of pair of tongs  
 102 arrow indicating direction of removal  
 104 surgical glue  
 106 seal formed by surgical glue  
 108 air bag

DETAILED DESCRIPTION OF THE  
PREFERRED EMBODIMENT

Turning now descriptively to the drawings, in which similar reference characters denote similar elements throughout the several views, FIGS. 1 through 8 illustrate a female security and rape prevention device indicated generally by the numeral 10 and shown in dashed lines in FIG. 1.

## 6

The female security and rape prevention device 10 is positioned within a vaginal cavity 12 of a woman 14. A midsection 16 of a woman 14 is illustrated in FIG. 1. The woman 14 is wearing an undergarment 18 and the female security and rape prevention device 10 is illustrated in dashed lines in position within the vaginal cavity 12. The female security and rape prevention device 10 is positioned within the vaginal cavity 12 so as to be unobtrusive and not noticeable to persons other than the user.

The female security and rape prevention device 10 is sized to fit within the vaginal cavity 12 as illustrated in FIG. 2 and includes a cylindrical housing 20 having a first open end 22 and a second closed end 24. The cylindrical housing 20 is made of an absorptive flexible material able to expand and contract with the walls of the vaginal cavity 12. The first open end 22 includes a frontal pressure sensor 26 for sensing pressure caused by penile insertion and contracting upon sensing of pressure around the inserted penis. The second closed end 24 is preferably made of a flexible material and acts as a buffer to prevent trauma to the vaginal cavity 12. The preferred material for the second closed end 24 is a flexible bladder made of latex and filled with a jell like substance. However, any material which is able to close the second end of the cylindrical housing 20 while maintaining a soft flexible texture able to prevent any trauma or damage to the vaginal cavity 12 when inserted therein may be used.

A plurality of surface sensors 28 extend partially around an outer side 30 of the cylindrical housing 20 for sensing increased pressure exerted on and by the walls of the vaginal cavity 12. A plurality of ribs 32 extend along an inner side 34 of the cylindrical housing 20 for expanding and contracting the cylindrical housing 20 along with the contractions of the walls of the vaginal cavity 12 and the insertion and pullback of a penis inserted therein. Extending from the inner side 34 of the cylindrical housing 20 and into the cavity formed therein are first and second dual headed needles 36 and 38 for engaging a penis as it extends into the cylindrical housing 20 and injecting the penis with a tissue irritant. The first and second needles 36 and 38 are also able to take a tissue sample of the penis as it contacts the surface of the needles 36 and 38.

Positioned at the second end 24 on the internal side of the cylindrical housing 20 is a connection device 40 for aiding in removal of the female security and rape prevention device 10 as will be discussed in more detail hereinafter with specific reference to FIG. 6. Positioned within the connection device 40 is a microcomputer and auditory recording processor as will be discussed hereinafter with specific reference to FIGS. 4, 5 and 5b. Extending from the first end 22 of the cylindrical housing 20 are a pair of tabs 42 for use in removal of the female security and rape prevention device 10 from the vaginal cavity 12.

As is clearly illustrated in FIG. 3, a plurality of internal surface pressure sensors 44 are also positioned on the inner side 34 of the cylindrical housing 20. The internal surface pressure sensors 44 act to monitor penile advance within the female security and rape prevention device 10 and are connected to a reservoir 50 as shown in FIG. 4 containing an identification dye therein for releasing the identification dye on the penis when it is sensed by the internal surface pressure sensors 44 that the penis has advanced a certain distance into the cylindrical housing 20. The first and second needles 36 and 38 extend from the internal surface pressure sensors 44 and help monitor penile advancement into the cylindrical housing 20. The first and second needles 36 and 38 trigger the internal surface pressure sensors 44 to release the identification dye from the reservoir 50 when they are

contacted by a penis. A cut away portion of this figure also shows the jell substance **46** within the bladder **48** of the second closed end **24**. The positioning of the internal surface pressure sensors **44**, the reservoir **50** for retaining the identification dye and the first and second needles **36** and **38** within the cylindrical housing **20** is clearly illustrated in FIG. 4.

A schematic diagram illustrating electrical components contained within the cylindrical housing **20** of the present invention and their interconnection is shown in FIG. 5. As can be seen in this figure the connection device **40** houses a microcomputer **52** and a power source **54**. The plurality of external surface sensors **28** are divided into first and second groups of sensors **56** and **58**, the first group **56** partially extending around a first half of the outer side **30** of the cylindrical housing **20** and the second group **58** partially extending around a second half of the outer side **30** of the cylindrical housing **20**. The microcomputer **52** is connected to the first group of external surface sensors **56** through a first connection wire **60** and to the second group of external surface sensors **56** through a second connection wire **62**. The microcomputer **52** is also connected to the internal surface pressure sensors **44** by third and fourth connection wires **64** and **66**. A switch **68** is also connected to the microcomputer **52** for manually activating the female security and rape prevention device **10** when it is determined by the user that a rape or unwanted sexual contact is eminent. The manual switch **68** allows for selective activation of the female security and rape prevention device **10** and thus will prolong the life of the power source **54** as it will not be drained constantly but only during times of need.

FIG. 5a illustrates an optional form for the external pressure sensors **28**. Instead of having first and second groups **56** and **58** of external pressure sensors **28**, a plurality of circular external pressure sensors **70** may be spacedly positioned along the length of the outer side **30** of the cylindrical housing **20**, each extending around the entire circumference of the cylindrical housing **20**. An additional auditory recording device **72** and a vibrator ring **74** are shown in FIG. 5b connected to the microcomputer **52**. The auditory recording device **72** is activated by the microcomputer **52** upon a determination that a rape is occurring and produces an auditory recording of the incident to provide further proof of the occurrence of a rape. The vibrator ring **74** is also activated by the microcomputer **52** upon a determination that a rape is occurring and causes the female security and rape prevention device **10** to vibrate thus alerting the user that it is activated. The determination by the microcomputer **52** that a rape is occurring is based upon an analysis of the signals received from both the external pressure sensors **28** and internal sensors **44** via the respective connection wires. FIG. 5c illustrates the use of a foam coating **76** for the external surface **30** of the cylindrical housing **20**. Alternatively, the material coating the outer side **30** of the cylindrical housing **20** may be a jell, soft plastic or any other soft, pliable, conductive material which will not cause discomfort when inserted into the vaginal cavity **12**. Furthermore, this material could be warmed by the body temperature of the user and thus be further concealed from a would-be attacker. An alternate way of connecting the external surface pressure sensors **78** is to embed or mold them in the foam cover layer **76** as depicted in FIG. 5d. This provides the female security and rape prevention device **10** with a smoother outer surface and thus is more comfortable for the user.

The connection device **40** is illustrated in FIG. 6 and includes a central portion **80** housing the microcomputer **52**

along with the power supply and auditory recording device **72** as shown in FIG. 5b. Depending from the central portion **80** is a skirt **82** including a lip **84** extending therearound. The combination of the skirt **82** and lip **84** create a recess above the central portion **80**. In order to remove the female security and rape prevention device **10** from its implanted position in the vaginal cavity **12**, a tong **86** including a pair of pivotal outwardly curling clips **88** extending therefrom is inserted into and through the cylindrical housing **20** to engage an underside of the lip **84**. Once the pair of pivotal outwardly curling clips **88** engage the lip **84** the female security and rape prevention device **10** may be easily removed from within the vaginal cavity by pulling a handle **90** of the tong **86** in a direction away from the vaginal cavity **12** as is indicated by the arrow labeled **92**.

An alternative device for removing the female security and rape prevention device **10** is illustrated in FIGS. 6a and 6b. In this embodiment a lip **94** extends around the first open end **22** of the cylindrical housing **20**. This lip **94** may be used instead of the pair of tabs **42** described above with reference to FIGS. 2 and 3. However, the removal of the female security and rape prevention device **10** is performed in the same manner when either is used. The use of the lip **94** or the pair of protrusions **42** is simply a design choice. In order to remove the device a pair of tongs **96** including a pair of pivotal inwardly curling clamps **98** connected to a handle portion **100** are inserted into the vaginal cavity **12**. The pair of pivotal inwardly curling clamps **98** are caused to engage the lip **94** and then a force is exerted on the handle portion **100** in the direction of the arrow labeled **102** out of the vaginal cavity **12** until the female security and rape prevention device **10** is removed therefrom. Alternatively, the user may remove the female security and rape prevention device **10** without the pair of tongs **96** by grasping the pair of tabs **42** or lip **94** and exerting a force in the direction of the arrow **102** out of the vaginal cavity **12**.

Also contained within the inner side **34** of the cylindrical housing **20** is a surgical glue **104** as illustrated in FIG. 7. This surgical glue **104** is released upon pull back of the penis by the rapist and acts to form a seal **106** and close the front open end **22** of the cylindrical housing **20** preventing any further penile penetration. Alternatively, a small air bag **108** as illustrated in FIG. 8 may be retained within the cylindrical housing **20** and deployed to prevent further penile penetration. The air bag **108** is deployed to seal the first open end **22** of the cylindrical housing **20** upon a determination by the microcomputer **52** that a rape or some object has been inserted into the cylindrical housing **20** is occurring.

The operation of the device will now be described with reference to the figures. In operation, the female security and rape prevention device **10** is inserted within the vaginal cavity **12** of a user by placing the female security and rape prevention device **10** at the entrance to the vaginal cavity **12**. A force is then exerted on either the pair of tabs **42** or the lips **94** towards the vaginal cavity **12** until the female security and rape prevention device **10** is fully inserted therein.

Due to the soft pliable nature of the material of which the female security and rape prevention device **10** is composed the user should feel a minimal amount of discomfort once the device is inserted. If the user feels a large amount of discomfort the device should either be adjusted within the vaginal cavity **12** until the discomfort is gone or removed, checked to make sure it is working properly, e.g. that the tissue irritant is not leaking, there are no sharp ends sticking through the outer surface or any other items which might be the cause of discomfort, and reinserted into the vaginal cavity **12**.

While in the vaginal cavity **12** the female security and rape prevention device **10** should not prevent the user from performing any of her normal daily activities and thus the user can go on and perform all normal activities she would otherwise perform. If the user is presented with a rape situation, she may then activate the device using the switch **68** and thus the device should now be functional. Upon activation of the switch **68** the vibrator ring **74** should vibrate to alert the user that the device is operational. If there is no switch to activate, the device will automatically activate when penile penetration into the cylindrical housing is sensed by the internal sensors **44** and contractions of the vaginal wall are sensed by the external surface pressure sensors **28** or **70**. These sensors send signals to the microcomputer **52** which analyze the signals to determine if a rape situation exists. If it is determined that a rape situation exists, the microcomputer **52** will activate the vibrator ring **74** to vibrate and thus alert the user that the female security and rape prevention device **10** has been activated.

Upon activation of the device, the auditory recording device **72** is activated to record any sounds produced during the rape and the identification dye is caused to be released from the reservoir **50** by the internal surface pressure sensors **44**. The release of the identification dye causes the dye to contact the penis which has penetrated into the cylindrical housing **20** and cause a discoloration to the outer skin of the penis for use in later proving sexual intercourse. Any of the identification dye which is not removed with the penis is absorbed by the foam material covering the inner side **34** of the cylindrical housing **20**.

When a penis is inserted into the cylindrical housing **20** the frontal pressure sensitive aperture **26** and the ribs **32** extending along the inner side **34** of the cylindrical housing **20** are caused to expand and contract with the insertion and removal forces caused by insertion and pullback of the penis. As the penis is inserted it is also caused to contact the first and second needles **36** and **38**. When these needles **36** and **38** are contacted by the penis a pressure is applied thereto and the needles **36** and **38** cause the internal surface pressure sensors **44** to send a signal indicating an object has been inserted into the cylindrical housing **20** to the microcomputer **52**. The needles **36** and **38** also inject a tissue irritant into the penis causing an irritation of the skin on the penis to form. Any additional tissue irritant dispensed within the cylindrical housing **20** is absorbed by the foam material covering the inner side **34** of the cylindrical housing **20**. Furthermore, the first and second needles **36** and **38** include a double edged head which acts to retrieve a tissue sample of the penis inserted into the cylindrical housing for future identification purposes.

If a surgical glue **104** as illustrated in FIG. 7 is contained within the cylindrical housing **20** it is caused to be dispensed upon pullback of the penis and forms a seal **106** within the cylindrical housing **20** preventing further insertion of a penis and thus preventing any further rape. If an air bag **108** as illustrated in FIG. 8 is contained within the cylindrical housing **20** it is deployed upon pullback of the penis and seals the open front end **22** of the cylindrical housing **20** preventing further insertion of the penis. If neither the surgical glue **104** nor the air bag **108** are contained within the cylindrical housing **20** repeated insertion and pullback of the penis is permitted and any semen deposited within the cylindrical housing is absorbed by the foam material covering the inner side **34** of the cylindrical housing **20**. The female security and rape prevention device **10** thus blocks the cervix of the user and also protects the vaginal surface from bacterial infection, viral infection and semen entry.

From the above description it can be seen that the female security and rape prevention device of the present invention is able to overcome the shortcomings of prior art devices by providing a female security and rape prevention device which is able to retrieve evidence of rape and provide evidence for identifying a perpetrator. The female security and rape prevention device includes pressure sensitive sensors responding to pressure applied to a vaginal wall and a microcomputer connected to the sensors for activating the device upon receipt of signals from the sensors indicating vaginal muscle contraction indicative of penile penetration and a double sided needle able to obtain a penile tissue sample upon pullback by the rapist. The female security and rape prevention device is also able to inject a tissue irritant into the penis of a rapist upon insertion into the device is positioned within the vaginal cavity of a female and remove excess tissue irritant and retain a semen sample of the rapist. Furthermore, the female security and rape prevention device of the present invention is simple and easy to use and economical in cost to manufacture.

It will be understood that each of the elements described above, or two or more together may also find a useful application in other types of methods differing from the type described above.

While certain novel features of this invention have been shown and described and are pointed out in the annexed claims, it is not intended to be limited to the details above, since it will be understood that various omissions, modifications, substitutions and changes in the forms and details of the device illustrated and in its operation can be made by those skilled in the art without departing in any way from the spirit of the present invention.

Without further analysis, the foregoing will so fully reveal the gist of the present invention that others can, by applying current knowledge, readily adapt it for various applications without omitting features that, from the standpoint of prior art, fairly constitute essential characteristics of the generic or specific aspects of this invention.

What is claimed is new and desired to be protected by Letters Patent is set forth in the appended claims:

1. A female security device connected to a power supply for placement within a vaginal cavity of a female to protect and minimize physical damage caused by sexual intercourse, said female security device comprising:

- a) a cylindrical housing including an outer surface, an inner surface, a first open end and a second closed end, said second closed end being inserted deeper within the vaginal cavity than said first open end and said inner surface being able to absorb any fluid dispensed within said cylindrical cavity;
- b) a plurality of pressure sensors positioned around said outer surface for sensing contractions in walls of the vaginal cavity;
- c) means for sensing pressure caused by insertion of an object into said cylindrical cavity positioned within said cylindrical cavity; and
- d) at least one needle extending into said inner side of said cylindrical cavity for contacting the object inserted into said cylindrical cavity and retaining a tissue sample of said object.

2. The female security device as recited in claim 1, further comprising a microcomputer connected to said plurality of pressure sensors and said means for sensing pressure for determining when the object has been inserted into said cylindrical housing.

3. The female security device as recited in claim 2, further comprising a reservoir containing an identification dye con-

11

nected to dispense said dye on the object when said micro-computer determines the object has been inserted into said cylindrical housing.

4. The female security device as recited in claim 2, further comprising a vibrating ring connected to said microcomputer for vibrating when said microcomputer determines the object has been inserted into said cylindrical housing and thereby alerting the user that the device has been activated.

5. The female security and rape prevention device as recited in claim 2, further comprising an auditory recording device connected to said microcomputer for recording all auditory sounds when said microcomputer determines the object has been inserted into said cylindrical housing.

6. The female security and rape prevention device as recited in claim 2, further comprising a surgical glue contained within said cylindrical housing being dispensed to form a seal closing said first open end upon a determination by said microcomputer that the object has been pulled back out of the vaginal cavity.

7. The female security and rape prevention device as recited in claim 2, further comprising an air bag contained within said cylindrical housing being deployed to close said first open end upon a determination by said microcomputer that the object has been pulled back out of the vaginal cavity.

8. The female security device as recited in claim 1, wherein the power supply is located within said cylindrical housing and further comprising a switch for manually connecting the power supply to said microcomputer and thereby activating the device.

9. The female security and rape prevention device as recited in claim 1, further comprising a connection device positioned within said cylindrical housing and a clamp means for removably engaging said connection device for removing said device from within the vaginal cavity.

10. The female security and rape prevention device as recited in claim 1, further comprising at least one tab extending from said first open end of said cylindrical housing and a clamp means for removably engaging said at least one tab to remove said device from the vaginal cavity.

11. The female security and rape prevention device as recited in claim 1, further comprising a ring extending

12

around said first open end of said cylindrical housing and a clamp means for removably engaging said ring to remove said device from the vaginal cavity.

12. The female security and rape prevention device as recited in claim 1, further comprising a pressure sensitive device connected to said first open end of said cylindrical housing for expanding and contracting said first open end with insertion into and pullback from the cylindrical housing of the object.

13. The female security and rape prevention device as recited in claim 1, further comprising a plurality of ribs extending along said inner surface of said cylindrical housing for expanding and contracting said cylindrical housing with insertion into and pullback from the cylindrical housing of the object.

14. The female security and rape prevention device as recited in claim 1, wherein said plurality of pressure sensors each extend around the circumference of said outer side of said cylindrical housing.

15. The female security and rape prevention device as recited in claim 14, wherein said plurality of pressure sensors are embedded within said outer side of said cylindrical housing.

16. The female security and rape prevention device as recited in claim 1, wherein each of said plurality of pressure sensors extend partially around said outer side of said cylindrical housing.

17. The female security and rape prevention device as recited in claim 16, wherein said plurality of pressure sensors are embedded within said outer side of said cylindrical housing.

18. The female security and rape prevention device as recited in claim 16, wherein said soft flexible material forming said second closed end is filled with a jell-like substance.

19. The female security and rape prevention device as recited in claim 1, wherein said second closed end is formed of a soft flexible material.

\* \* \* \* \*