



US005842606A

United States Patent [19]
DeVito

[11] **Patent Number:** **5,842,606**
[45] **Date of Patent:** **Dec. 1, 1998**

[54] **BEVERAGE SERVER**

5,524,795 6/1996 Lee 222/207
5,564,597 10/1996 Koorse et al. 222/185.1 X

[76] Inventor: **Joseph A DeVito**, 2141 Willow St.,
Wantagh, N.Y. 11793

Primary Examiner—Kevin P. Shaver
Attorney, Agent, or Firm—Michael I. Kroll

[21] Appl. No.: **940,882**

[57] **ABSTRACT**

[22] Filed: **Sep. 30, 1997**

[51] **Int. Cl.⁶** **B67D 5/60**

[52] **U.S. Cl.** **222/132; 222/143; 222/185.1;**
222/368; 222/509

[58] **Field of Search** **222/129, 132,**
222/143, 185.1, 368, 410, 509

A beverage server (10) for providing a variety of beverage choices to a user comprises a plurality of dispenser sections (12) connected together. Each of the plurality of dispenser sections (12) include first and second vertical walls (14, 16) and at least one horizontal shelf (18 or 20) connected therebetween. The first wall (14) includes a length, at least one clip (36) extending therefrom and a shelf guide (22 and 24) extending along the length on a side opposite the at least one clip (36). The second side (16) has a length, at least one recess (38) extending therethrough and a shelf guide (22 and 24) extending along the length, the shelf guide (22 and 24) on the second side wall (16) is positioned to face the shelf guide (22 and 24) on the first side wall (14). The at least one shelf (18 or 20) includes a recess (30 or 32) extending therethrough and is seated within said shelf guides (22 and 24) of both the first and second side walls (14 and 16). A dispenser (34) including a bottle (50) and a nozzle (52) attached thereto is positioned in an inverted direction to extend through the recess (30 or 32) in the at least one shelf (18 or 20), wherein the at least one recess (38) on the second side wall (16) of the dispensing section (12) is aligned to receive and releasably mate with the at least one clip (36) on the first side (14) of an adjacent one of the plurality of dispensing sections (12).

[56] **References Cited**

U.S. PATENT DOCUMENTS

710,949	10/1902	Calley	222/132 X
1,296,172	3/1919	Drewes	222/132 X
2,058,027	10/1936	Martinet	222/185.1 X
3,589,566	6/1971	Rivest et al.	222/132
3,782,602	1/1974	Page	222/143
3,814,293	6/1974	Daves	222/185.1 X
3,933,275	1/1976	Metzner et al.	222/185.1 X
4,143,795	3/1979	Casebier	222/143
4,162,029	7/1979	Gottsegen et al.	222/143 X
4,844,290	7/1989	McCurdy et al.	222/185.1
4,911,334	3/1990	Kedzierski	222/185.1 X
4,928,855	5/1990	Ramsey	222/185.1 X
5,104,003	4/1992	Stecoza	222/185.1 X
5,222,631	6/1993	Hood	222/185.1 X
5,335,829	8/1994	Sovann	222/185.1 X
5,377,878	1/1995	Rainey et al.	222/185.1 X
5,444,992	8/1995	Bell	222/146.6 X
5,460,298	10/1995	DiBiase et al.	222/173

14 Claims, 5 Drawing Sheets

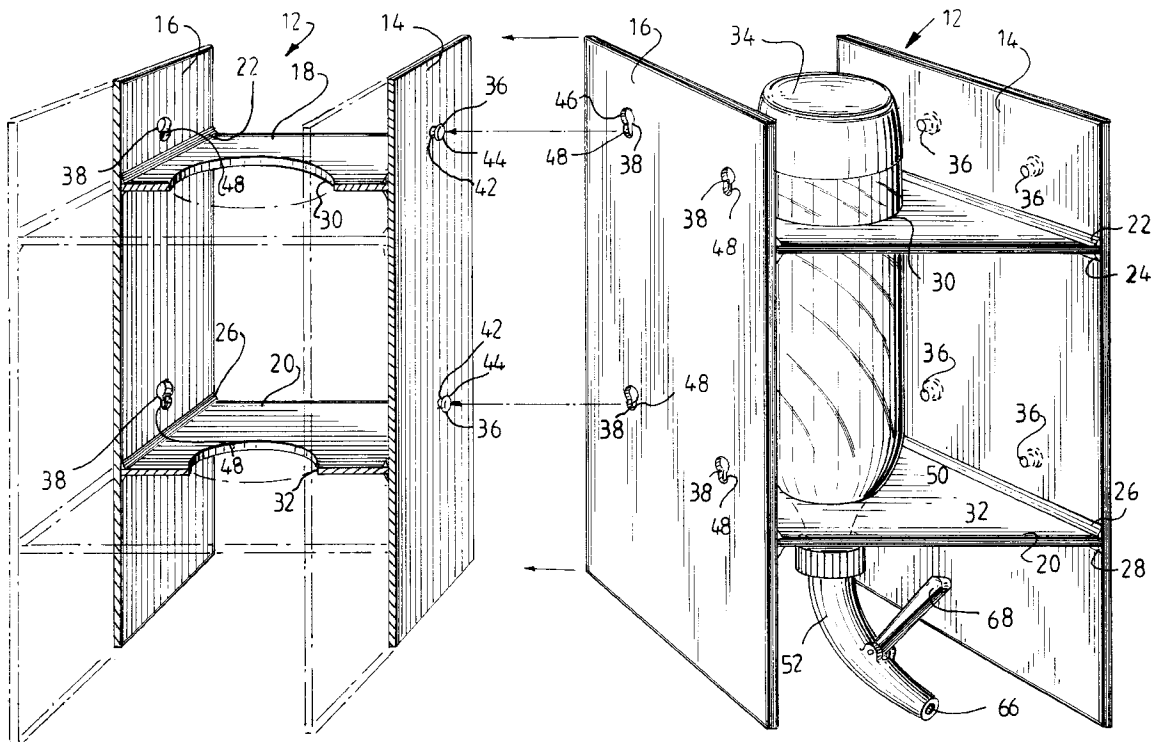
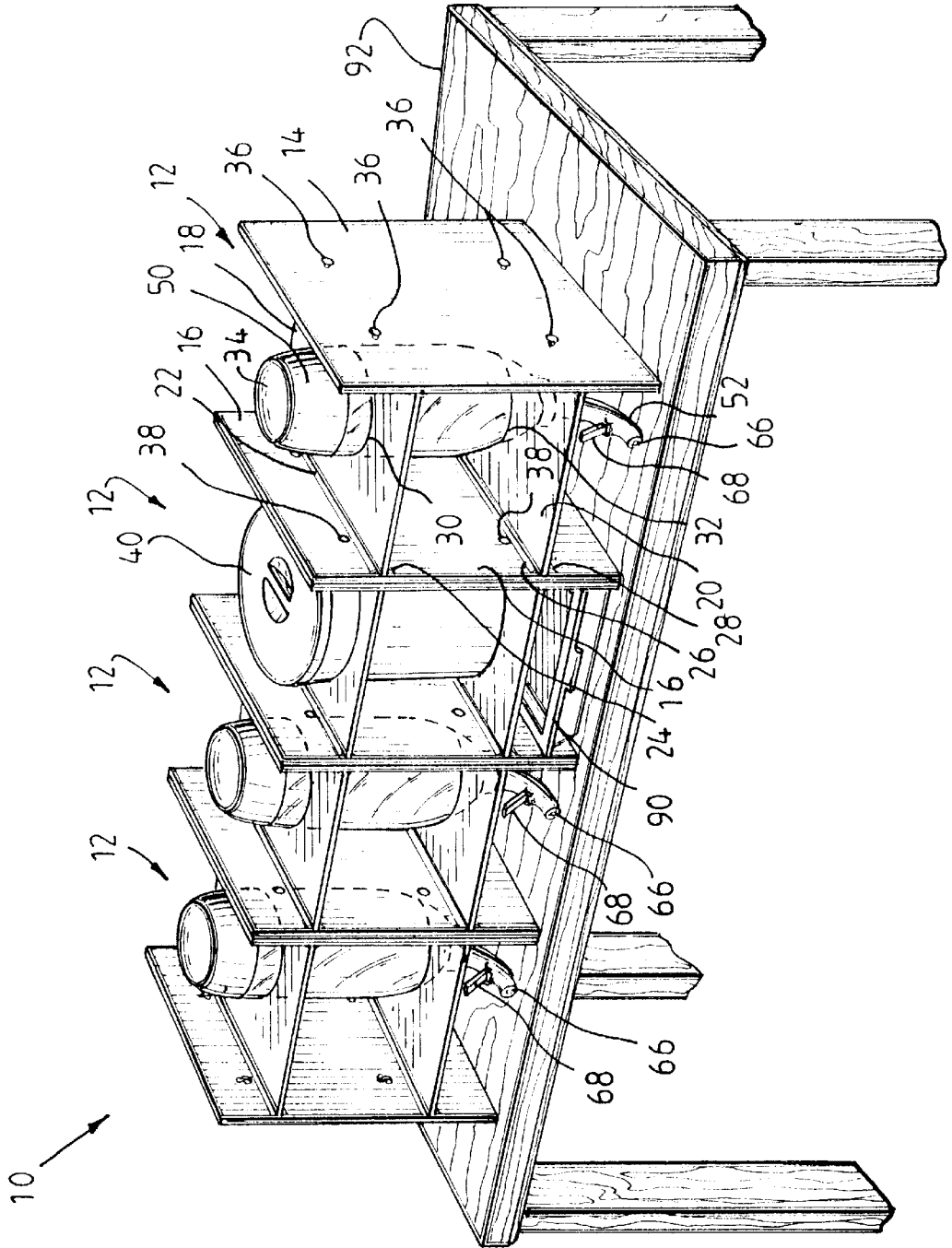


FIG. 1



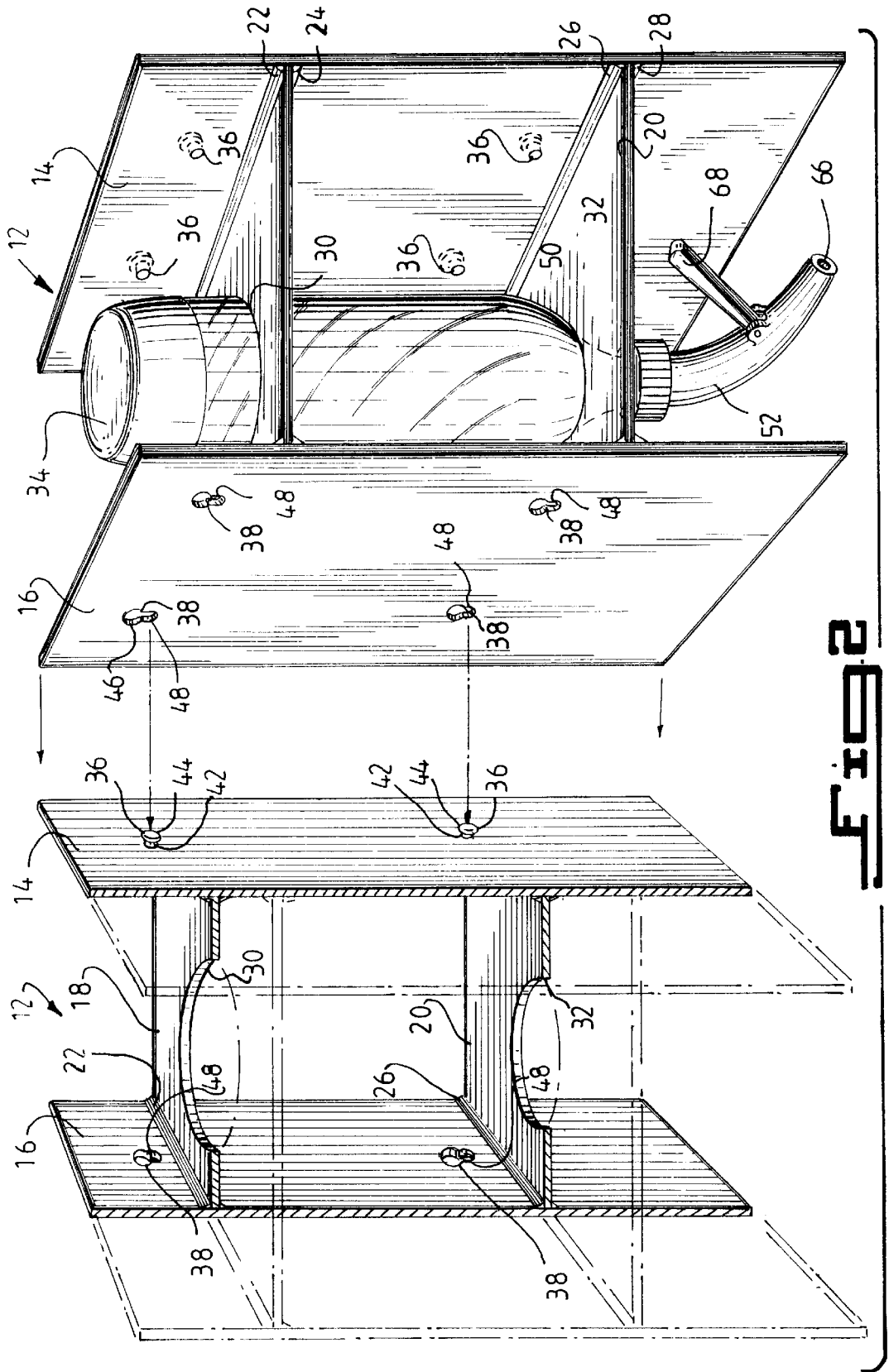


FIG. 2

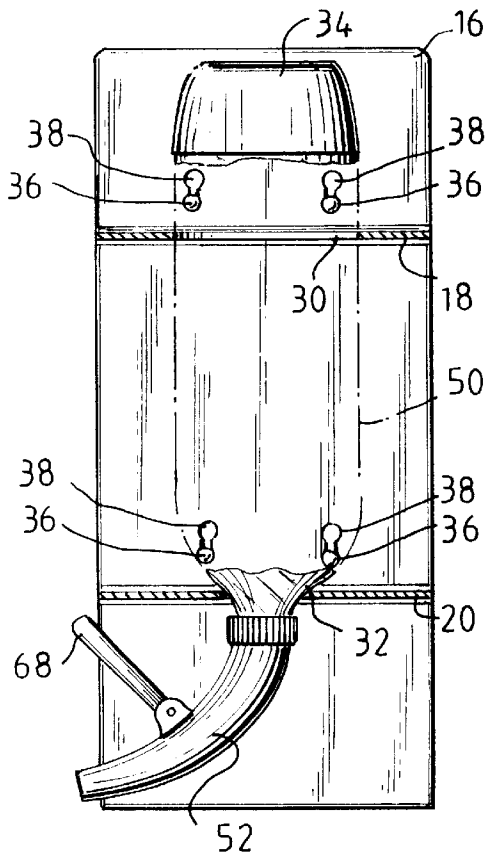


Fig. 3

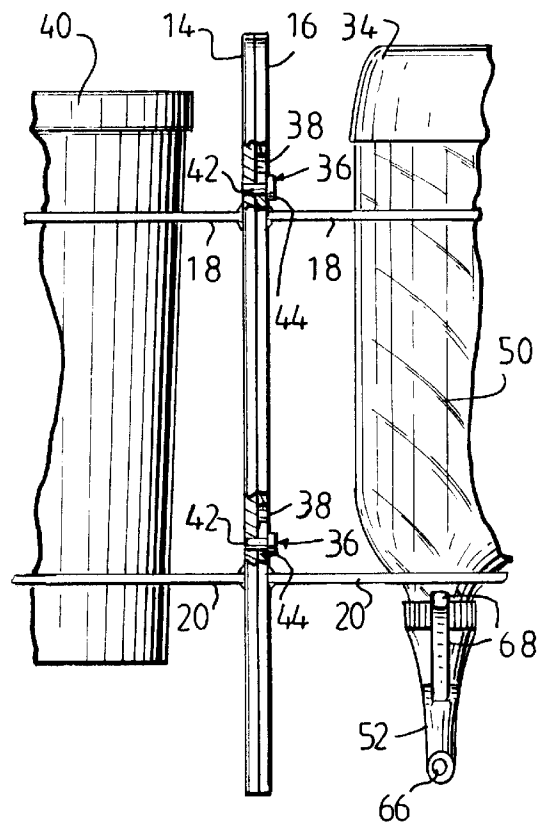


Fig. 4

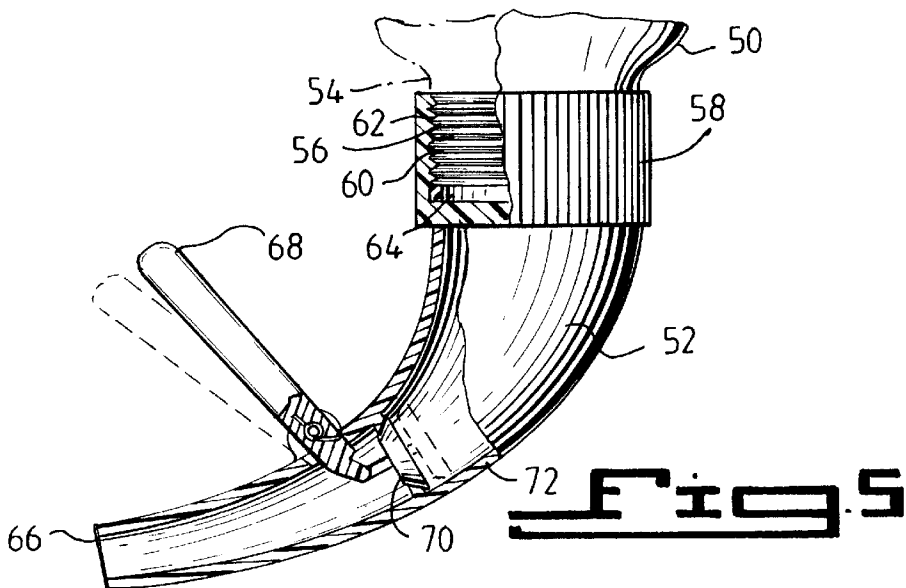


Fig. 5

Fig. 6

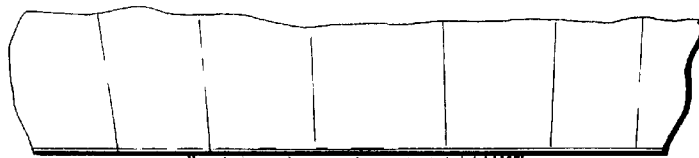
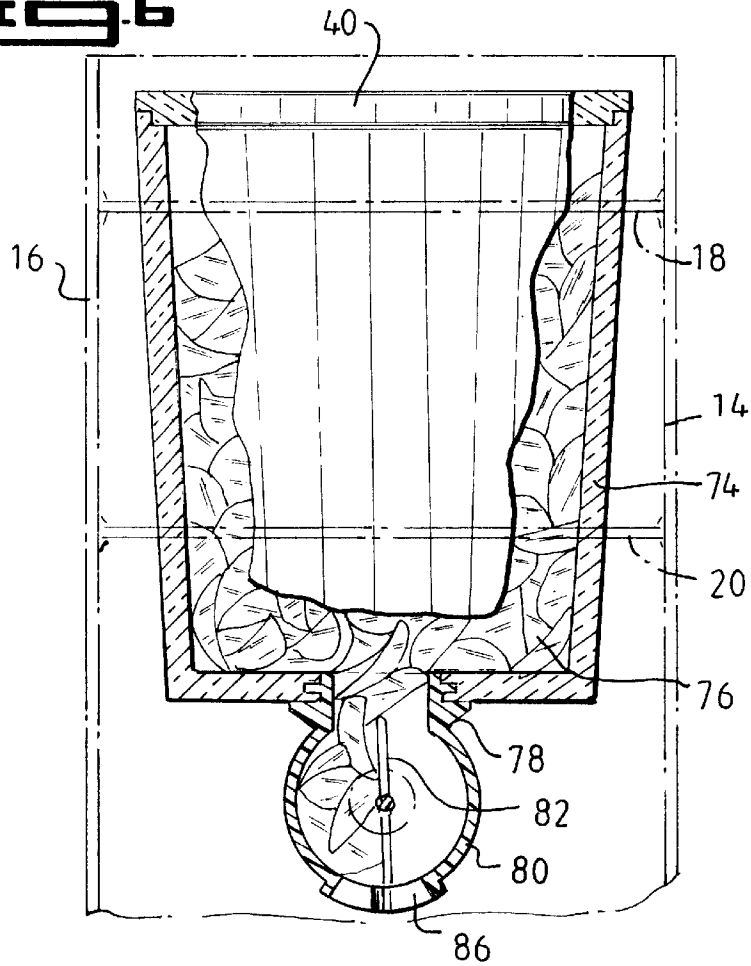
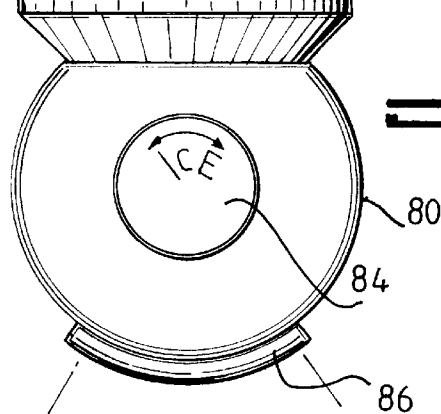
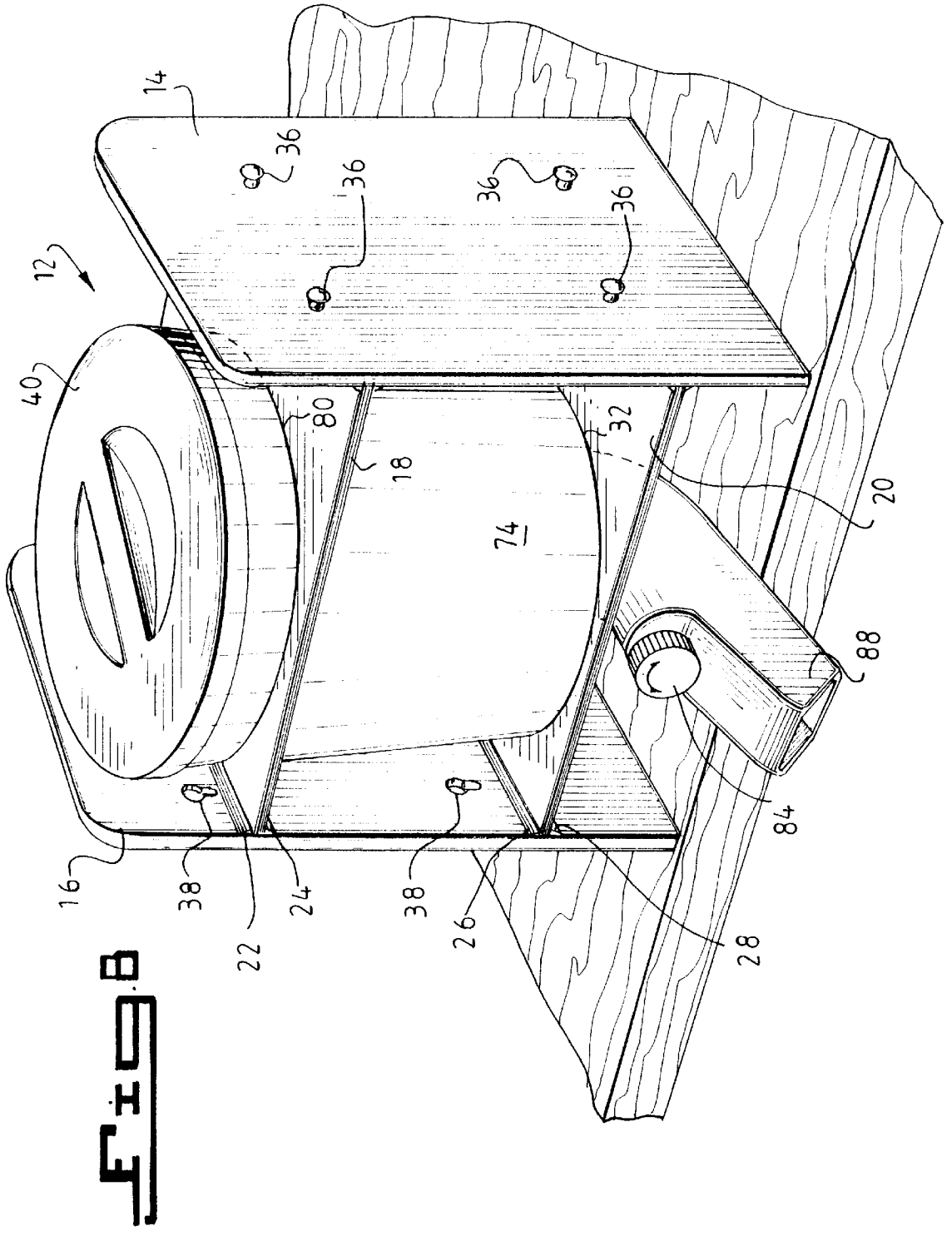


Fig. 7





BEVERAGE SERVER**BACKGROUND OF THE INVENTION**

1. Field of the Invention

The instant invention relates generally to drink serving devices and, more specifically, to a beverage server able to provide a user with a desired number of drink selections.

2. Description of the Prior Art

Numerous drink serving devices have been provided in the prior art. For example, U.S. Pat. Nos. 3,814,293; 5,444,992; 5,460,298 and 5,524,795 all are illustrative of such prior art. While these units may be suitable for the particular purpose to which they address, they would not be as suitable for the purposes of the present invention as heretofore described.

A dispensing rack and valve assembly for use with quart or king-size bottles of beverages. The rack supports a bottle in an inclined position and is suited to be placed on a shelf in a conventional refrigerator. The dispensing valve has a threaded portion to engage the threaded mouth of a conventional bottle of carbonated beverage. The valve assembly cooperates with the rack to secure the bottle in place.

This invention disclosure pertains to a device which is used for cooling soda and food by means of a reusable two piece horizontally positioned iceblock pack which the parts thereof are molded to conform to the shape of a two liter soda bottle. The iceblock pack with bottle and a food holding tray are contained within a thickly insulated rectangular housing. A vented tap is screwed onto the bottle after being enclosed within the case to permit dispensing of the soda. The unit is supported into its tilted angled down position by means of an angular shaped leg apparatus which is also the carrying handle apparatus when rotated around to the top of the cooling unit and snapped onto the spring loaded buttons. The iceblock packs contained within the cooler are to be frozen within a freezing unit before usage.

A stand for container inversion is provided to allow for prompt, efficient, and full dispensing of viscous material from their containers. A cup-shaped stand is interposed between a bottle and its cap, the stand defining a support surface to allow the container to be maintained in an inverted posture. The stand may be an integral portion of the bottle or of the cap, or it may be a separate entity altogether. Additionally, the stand may be configured such as to nestingly receive the bottom of the container or bottle when implementation of the stand is not desired.

A dispensing unit for a threaded neck bottle including a dispensing nipple, valve assembly, and a connector. The dispensing nipple is squeezable and mostly cylindrical in shape with one end converging. The bottom of the converging end is open so that the fluid contained within the dispensing nipple escapes when the nipple is squeezed. The valve arrangement is disposed inside the convergent end of the dispensing nipple and includes a rod connecting a ball valve at its bottom and a truncated cone shaped member at its other end. The connector secures the neck of the storage bottle to the dispensing nipple and includes outer and inner concentric cylinders secured to and made an integral part of an annular ring having an outside diameter and an inside diameter about the same diameter as the first and second concentric cylinders. The annular ring seals one end of the space between the cylinders. The inside of the outer cylinder is provided with threads for threadably receiving the top of the dispensing nipple into the side of the connector away from the annular ring. The inside of the inner cylinder is

provided with internal threads to threadably receive the threaded neck of the storage bottle inserted from the side of the annular ring away from the concentric cylinders. The lower end of the internal concentric cylinder is provided with a seat which mates with the truncated cone shaped member within the dispensing nipple to seat when the condiment bottle is inverted.

SUMMARY OF THE PRESENT INVENTION

The instant invention relates generally to drink serving devices and, more specifically, to a beverage server able to provide a user with a desired number of drink selections.

A primary object of the present invention is to provide a beverage server that will overcome the shortcomings of prior art devices.

Another object of the present invention is to provide a beverage server able to accommodate a plurality of drink dispensers thus providing a user a variety of beverages from which to choose.

An additional object of the present invention is to provide a beverage server including an insulated ice bucket for serving ice cubes for use in cooling the drink of a user.

A further object of the present invention is to provide a beverage server which eliminates waste of any product within the dispensers.

A yet further object of the present invention is to provide a beverage server including a plurality of interlocking sections for holding a desired number of soft drink selections.

A still further object of the present invention is to provide a beverage server which keeps carbonated drinks from going flat without the need for the bottle caps.

An even further object of the present invention is to provide a beverage server including leak proof nozzles on each dispenser to prevent spills.

Another object of the present invention is to provide a beverage server that is simple and easy to use.

A still further object of the present invention is to provide a beverage server that is economical in cost to manufacture.

Additional objects of the present invention will appear as the description proceeds.

A beverage server for providing a variety of beverage choices to a user comprises a plurality of dispenser sections connected together is disclosed by the present invention. Each of the plurality of dispenser sections include first and second vertical walls and at least one horizontal shelf connected therebetween. The first wall includes a length, at least one clip extending therefrom and a shelf guide extending along the length on a side opposite the at least one clip. The second side has a length, at least one recess extending therethrough and a shelf guide extending along the length, the shelf guide on the second side wall is positioned to face the shelf guide on the first side wall. The at least one shelf includes a recess extending therethrough and is seated within said shelf guides of both the first and second side walls. A dispenser including a bottle and a nozzle attached thereto is positioned in an inverted direction to extend through the recess in the at least one shelf, wherein the at least one recess on the second side wall of the dispensing section is aligned to receive and releasably mate with the at least one clip on the first side of an adjacent one of the plurality of dispensing sections.

To the accomplishment of the above and related objects, this invention may be embodied in the form illustrated in the accompanying drawings, attention being called to the fact, however, that the drawings are illustrative only, and that

changes may be made in the specific construction illustrated and described within the scope of the appended claims.

BRIEF DESCRIPTION OF THE DRAWING FIGURES

Various other objects, features and attendant advantages of the present invention will become more fully appreciated as the same becomes better understood when considered in conjunction with the accompanying drawings, in which like reference characters designate the same or similar parts throughout the several views.

FIG. 1 is a front perspective view of the beverage server of the present invention;

FIG. 2 is an exploded view in partial cross-section of the beverage server of the present invention;

FIG. 3 is a side view of a single compartment of the beverage server of the present invention including a drink dispenser;

FIG. 4 is a side view of the connection between two compartments of the beverage server of the present invention;

FIG. 5 is a side view in partial cross-section of a beverage dispensing nozzle of the beverage server of the present invention;

FIG. 6 is a cross-sectional side view of an ice dispenser used with the beverage server of the present invention;

FIG. 7 is a side view of the dispensing mechanism of the ice dispenser used with the beverage server of the present invention; and

FIG. 8 is a side perspective view of the ice dispenser positioned within a section of the beverage server of the present invention.

DESCRIPTION OF THE REFERENCED NUMERALS

Turning now descriptively to the drawings, in which similar reference characters denote similar elements throughout the several views, the Figures illustrate a beverage server of the present invention. With regard to the reference numerals used, the following numbering is used throughout the various drawing figures

- 10 beverage server of the present invention
- 12 dispensing section of the beverage server
- 14 left side vertical wall
- 16 right side vertical wall
- 18 upper horizontal shelf
- 20 lower horizontal shelf
- 22 top shelf guide of first shelf guide pair for upper horizontal shelf
- 24 bottom shelf guide of first shelf guide pair for upper horizontal shelf
- 26 top shelf guide of second shelf guide pair for lower horizontal shelf
- 28 bottom shelf guide of second shelf guide pair for lower horizontal shelf
- 30 recess in upper horizontal shelf
- 32 recess in lower horizontal shelf
- 34 beverage dispenser
- 36 plurality of clips extending from right side vertical wall
- 38 plurality of recesses in left side vertical wall
- 40 ice chest

- 42 neck portion of clip
- 44 enlarged head portion of clip
- 46 receiving section of recess
- 48 engaging section of recess
- 50 bottle
- 52 nozzle of beverage dispenser
- 54 neck of bottle
- 56 thread spiraling around neck of bottle
- 58 neck of nozzle
- 60 inner side of neck of nozzle
- 62 thread spiraling around inner side of neck of nozzle
- 64 seal within neck of nozzle
- 66 dispensing end of nozzle
- 68 pivotable lever
- 70 stopper
- 72 inner wall of nozzle
- 74 body of ice chest
- 76 ice within ice chest
- 78 opening in base of body
- 80 dispenser regulating device
- 82 flow regulator
- 84 rotatable dial
- 86 dispenser opening
- 88 spout
- 90 drip tray
- 92 flat surface

DETAILED DESCRIPTION OF THE PREFERRED EMBODIMENT

Turning now descriptively to the drawings, in which similar reference characters denote similar elements throughout the several views, FIGS. 1 through 8 illustrate a beverage server indicated generally by the numeral 10.

The beverage server 10 includes at least one dispensing section 12. Each dispensing section 12 includes a right side vertical wall 14 and a left side vertical wall 16 extending parallel to each other. The left side vertical wall 14 is separated from the right side vertical wall 16 by an upper horizontal shelf 18 and a lower horizontal shelf 20. A first pair of shelf guides 22, 24 extends horizontally along both the right and left side vertical walls 14, 16 for securing the upper horizontal shelf 18 between the first and second vertical walls 14 and 16. A second pair of shelf guides 26, 28 extends horizontally along both the right and left side vertical walls 14, 16 for securing the lower horizontal shelf 20 between the first and second vertical walls 14 and 16. The upper and lower horizontal shelves 18 and 20 each include a recess 30 and 32, respectively, extending therethrough for receiving a drink dispenser 34 therein. The dimensions of the recess within each section will vary to accommodate dispensers of various size such as a one, two or three liter bottle or even an ice chest or cooler 40. Thus, when a section 12 of the beverage server 10 is being constructed, the user will be provided with a plurality of options regarding the dimensions of the recess and upper and lower horizontal shelves having a recess able to accommodate a desired size dispenser will be chosen.

The right side wall 12 includes at least one clip 36 extending therefrom and directed away from the left side wall 14. The left side wall 14 includes at least one recess 38 extending therethrough and aligned with the clip 36 on the right side wall 12. The at least one recess 38 is sized to

receive the at least one clip **36** of the left side vertical wall **14** of an adjacent dispensing section **12** when combining dispensing sections **12** together. The interconnection of adjacent sections is clearly illustrated in FIG. 2. From this figure it is shown that the plurality of clips **36** extending from the right side vertical wall **14** are aligned with and sized to extend through the plurality of recesses **38** extending through the left side vertical wall **16**. The clips **36** each include a neck portion **42** connected to the right side vertical wall **14** and an enlarged head portion **44** connected to the neck portion **42**. Each of the recesses **38** include a receiving section **46** having a diameter large enough to receive the enlarged head portion **44** of a respective clip **36** and an engaging section **48** connected to and having a smaller diameter than the receiving section **46**. The engaging section **48** is of a size large enough to receive and provide a snug engagement with the neck portion **42** of a respective clip **36**. It is to be realized that the connection of the clips **36** to the right side vertical wall **14** and the recesses **38** in the left side vertical wall **16** are for purposes of description and not meant to limit the present invention in any manner. In practice the clips **36** may be connected to extend from the left side vertical wall **16** and the recesses **38** may extend through the right side vertical wall **14** without affecting the operation of the invention. This is a design choice to be made by the manufacturer.

FIGS. 3 through 5 illustrate the beverage dispenser **34** used with the present invention in more detail. The beverage dispenser **34** includes a bottle **50** for retaining the beverage to be dispensed and a nozzle **52** connected thereto. The bottle **50** may be any bottle in which the beverage was originally packaged or any other bottle which is able to retain the beverage therein while being able to mate with the nozzle **52** so as to prevent leakage of the beverage and be held within the recesses **30** and **32** of the upper and lower horizontal shelves **18** and **20**.

The bottle **50** includes a cylindrical neck portion **54** including an outer surface having a thread **56** spiraling therearound. The nozzle **52** also includes a cylindrical neck portion **58** including an inner surface **60** having a thread **62** spiraling therearound. The thread **56** is sized to mate with the thread **62** to connect the bottle **50** and nozzle **52** together in a spill proof manner. A seal **64** is positioned within the neck **58** of the nozzle **52** on a side of the thread **62** opposite the entrance for the bottle **50** to provide additional protection against leakage. The seal **64** is formed from any one of a soft rubber or polymeric material which is able to engage the neck of the bottle **50** and prevent the beverage contained within the bottle **50** from entering the area between the threaded engagement of the bottle **50** and nozzle **52**. This aids in the prevention of leakage from the dispenser.

The nozzle **52** is wider at its connection with the bottle **50** and becomes increasingly more narrow towards its dispensing end **66** to provide a natural increase in the pressure at which the beverage exits the nozzle **52**. A lever **68** is pivotably connected at a point between the connection with the bottle **50** and the dispensing end **66**. The nozzle lever **68** is connected to a stopper **70** positioned within the nozzle **52** and sized to fit snugly and releasably mate with an internal wall **72** of the nozzle **52** when the lever **68** is in its closed position. When the lever **68** is pivoted towards the dispensing end **66** the stopper **70** is forced towards the connection with the bottle **50** and due to the increasing diameter of the nozzle **52** a space is created between the stopper **70** and the inner wall **72** of the nozzle **52** allowing liquid beverage within the bottle to flow through the nozzle **52** and into a receptacle placed at the dispensing end **66** of the nozzle **52**.

While a preferred structure for the nozzle **52** is shown and described herein, those of ordinary skill in the art who have read this description will appreciate that there are numerous other structures for the nozzle **52** and, therefore, the phrase “means for dispensing the beverage” should be construed as including all such structures as long as they achieve the desired result of dispensing the beverage, and therefore, that all such alternative mechanisms are to be considered as equivalent to the one described herein.

An ice chest or cooler **40** for use with the beverage server **10** is illustrated in FIGS. 6 through 8. The ice chest **40** includes a large body **74** for holding the ice **76**. The body **74** is preferably made of an insulating material which will prevent the ice from melting for a prolonged period of time in hot weather. At a base of the body **74** is an opening **78** for the dispensing of the ice **76**. A dispenser regulating device **80** is provided at the opening **78** for regulating the flow of ice **76** out of the ice chest **40**. The dispenser regulating device **80** is circular and includes a rotatable flow regulator **82** positioned therein. The flow regulator **82** is rotated by a dial **84** extending through an outer side of the dispenser regulating device **80**. The length of the flow regulator **82** is substantially equal to the diameter of the dispenser regulating device **80**. The ice is dispensed through an opening **86** in the base of the dispenser regulating device **80** when the dial **84** and thus the flow regulator **82** is rotated to provide access to the opening **86**. The length of the flow regulator **82** allows the opening **86** to be blocked off when the dispensing of ice **76** is not desired thus retaining the ice **76** within the ice chest **40**. As is depicted in FIG. 8, a spout **88** may be connected to the opening **86** below the dial **84** for providing easy access to receive the ice **76** being dispensed. Alternatively, a drip tray **90** as illustrated in FIG. 1 may be used to catch the ice **76** which is dispensed from the ice chest **40**.

While a preferred structure for the ice chest **40** is shown and described herein, those of ordinary skill in the art who have read this description will appreciate that there are numerous other structures for the ice chest and, therefore, the phrase “means for retaining and dispensing ice” should be construed as including all such structures as long as they achieve the desired result of retaining and dispensing ice, and therefore, that all such alternative mechanisms are to be considered as equivalent to the one described herein.

The operation of the device and system will now be described. In operation, upper and lower horizontal shelves **18** and **20** each including a recess of a sufficient size to retain the desired beverage bottle are positioned within upper and lower pair of shelf guides **22**, **24** and **26**, **28** respectively of the right side vertical wall **14**. The left side vertical wall **16** is then positioned to receive an opposing side of the upper and lower horizontal shelves **18** and **20** between its respective pair of upper and lower pairs of shelf guides **22**, **24** and **26**, **28** to form a single dispensing section **12**. A desired number of dispensing sections **12** are then formed in an identical manner using upper and lower horizontal shelves having recesses of a size sufficient to retain a desired beverage bottle **50** or ice chest **40** therein.

A first constructed dispensing section **12** is then positioned atop a flat surface **92** such as a table whereby the upper and lower horizontal shelves **18** and **20** extend parallel and the right and left vertical walls **14** and **16** extend perpendicular to the flat surface **92**. A second dispensing section **12** is placed adjacent to the first dispensing section **12** whereby the enlarged head portion **44** of the clips **36** extending from a vertical wall of the second dispensing section **12** are received by a respective receiving portion **46**

of the recesses **38** in a wall of the first dispensing section **12**. The neck portion **42** of the clips **36** are then received in the engaging portion **48** of their respective recesses **38** to thereby connect the two dispensing sections **12**. Additional dispensing sections **12** are then connected as desired.

A cap covering the bottles **50** desired to be positioned within the beverage dispenser sections **12** are removed and a nozzle **52** is connected in its place by turning the nozzle **52** in a clockwise direction to engage the thread **56** on the neck **54** of the bottle **50** with the thread **62** spiraling around the inner side **60** of the neck **58** of the nozzle **52**. The bottles **50** are then inverted and introduced nozzle **52** first through the respective recesses **30** and **32** in the upper and lower horizontal shelves **18** and **20**. The bottles **50** are now in dispensing position within their respective dispensing section **12** of the beverage server **10**. The ice chest **40** is also positioned within its respective dispensing section **12** nozzle **88** first through the respective recesses **30** and **32** in the upper and lower horizontal shelves **18** and **20** with a drip tray **90** positioned therebelow.

When it is desired to fill a receptacle with ice the dial **84** on the ice chest **40** is rotated thus turning the flow regulator **82** and allowing ice **76** to enter and pass through the dispenser regulating device **80**, opening **86** and the spout **88**. The ice **76** exits the spout **88** and enters the receptacle.

A beverage is dispensed by placing a receptacle at the opening **66** of the nozzle **52** and pivoting the lever **68** away from the bottle **50**. This forces the stopper **70** further into the nozzle **52** and creates a passage for the liquid beverage to flow through. The beverage passes through the opening created by moving the stopper **70** and through the nozzle **52** into the receptacle. The lever **68** is then pivoted towards the bottle **50** to close the opening created by moving the stopper **70**.

When all the beverage in a particular bottle **50** is dispensed the dispenser **34** is removed from its position in the dispensing section **12** by lifting it out in a direction opposite to the direction of entry. The nozzle **52** is removed by turning it in a counterclockwise direction to disengage the thread **56** on the neck **54** of the bottle **50** from the thread **62** spiraling around the inner side **60** of the neck **58** of the nozzle **52**. The nozzle **52** may then be connected to a new bottle **50** and the new dispenser **34** inserted in the dispensing section **12** vacated by the removed dispenser **34**. If there is still some beverage remaining within the removed dispenser **34**, the bottle cap originally removed may be replaced and the bottle **50** place in a storage area such as a refrigerator.

From the above description it can be seen that the beverage server **10** of the present invention is able to overcome the shortcomings of prior art devices by providing a plurality of interlocking sections **12** for holding a desired number of beverages and thereby provide a user with a variety of beverages from which to choose along with an insulated ice bucket **40** for serving ice cubes **76** for use in cooling the drink of a user. The beverage server **10** eliminates waste of any product within the dispensers **34**, prevent spills and keeps carbonated drinks from going flat without the need for the bottle caps via the use of a leak proof nozzle **52** on each drink dispenser **34** within the beverage server. Furthermore, the beverage server of the present invention is simple and easy to use and economical in cost to manufacture.

It will be understood that each of the elements described above, or two or more together may also find a useful application in other types of methods differing from the type described above.

While certain novel features of this invention have been shown and described and are pointed out in the annexed

claims, it is not intended to be limited to the details above, since it will be understood that various omissions, modifications, substitutions and changes in the forms and details of the device illustrated and in its operation can be made by those skilled in the art without departing in any way from the spirit of the present invention.

Without further analysis, the foregoing will so fully reveal the gist of the present invention that others can, by applying current knowledge, readily adapt it for various applications without omitting features that, from the standpoint of prior art, fairly constitute essential characteristics of the generic or specific aspects of this invention.

What is claimed is new and desired to be protected by letters patent is set forth in the appended claims:

1. A beverage server for providing a variety of beverage choices to a user comprises a plurality of dispenser sections connected together in which each said dispenser section includes:

- a) a first side wall having a length, a first shelf guide extending along said length and including at least one clip extending therefrom and positioned on a side of said first side wall opposite said first shelf guide;
- b) a second side wall having a length, a second shelf guide extending along said length, and at least one recess extending therethrough, said shelf guide on said right side wall positioned to face said shelf guide on said left side wall;
- c) a first shelf including a recess extending therethrough, positioned between said left and right side walls and removably seated within said first and second shelf guides; and
- d) a dispenser including a bottle and a nozzle attached thereto and positioned in an inverted direction to extend through said recess in said first shelf, wherein said at least one recess on said second side of said dispensing section is aligned to receive and releasably mate with said at least one clip on said first side of an adjacent one of said dispensing sections.

2. The beverage server as recited in claim **1**, wherein said nozzle is cylindrical in shape and includes an inner side wall, a pivotable lever and a stopper connected to said lever and positioned within said nozzle, wherein said lever is pivotable between a first closed position maintaining said stopper in a position contacting said inner side wall and a second dispensing position in which said lever forces said stopper away from its position contacting said inner wall and providing a passage way for a beverage contained within said bottle to flow through and exit said dispenser.

3. The beverage server as recited in claim **1**, wherein said first and side wall further includes a third shelf guide, said second side wall further includes a fourth shelf guide and each of said plurality of dispensing sections further include a second shelf including a recess extending therethrough for receiving said dispenser and positioned between said left and right side walls and received by said third and fourth shelf guides.

4. The beverage server as recited in claim **1**, wherein said dispenser is an ice chest.

5. The beverage server as recited in claim **4**, wherein said ice chest is formed of an insulating material for preventing ice contained therein from melting over an extended period of time.

6. The beverage server as recited in claim **4**, wherein said ice chest includes an ice dispensing device for regulating an amount of ice dispensed from said ice chest.

7. The beverage server as recited in claim **1**, wherein said ice chest includes a recess and said ice dispensing device

9

includes a circular shell including a dispensing end and positioned to cover said opening, a flow regulator positioned within said circular shell and a rotatable dial connected to rotate said flow regulator between a position blocking ice from being dispensed through both said opening and dispensing end and a second position allowing a desired amount of ice to be dispensed through both said opening and dispensing end.

8. The beverage server as recited in claim 7, wherein said ice dispensing device farther includes a spout connected at said dispensing end for directing ice dispensed from said ice chest.

9. The beverage server as recited in claim 7, further comprising a drip tray positioned below said dispensing end for receiving ice dispensed from said ice chest.

10. The beverage server as recited in claim 1, wherein said bottle includes a neck portion having an outer side and a dispensing end and a thread spiraling around said outer side; and said nozzle includes a bottle receiving end including an inner side and a thread spiraling around said inner side, wherein said thread spiraling around said outer side of said neck of said bottle mates with said thread spiraling around said inner side of said inner side of said bottle receiving end.

10

11. The beverage server as recited in claim 1, wherein said at least one clip includes an enlarged head portion and a neck portion connected between said first side wall and said enlarged head portion and said at least one recess includes a clip receiving portion and a clip engaging section, wherein said enlarged head portion is received by said clip receiving portion and said neck portion is removably seated within said clip engaging section when adjacent dispensing sections are connected together.

12. The beverage server as recited in claim 1, wherein said plurality of dispensing sections are positioned on a flat horizontal surface such that said first and second side walls of each section extend perpendicular to said flat surface.

13. The beverage server as recited in claim 12, wherein said first shelf extends parallel to said flat surface and perpendicular to said first and second side walls.

14. The beverage server as recited in claim 3, wherein said plurality of dispensing sections are positioned on a flat horizontal surface such that said first and second side walls of each section extend perpendicular to said flat surface and said first and second shelves extend parallel to said flat surface and perpendicular to said first and second side walls.

* * * * *