



US005918932A

# United States Patent [19]

[11] Patent Number: **5,918,932**

Morrison et al.

[45] Date of Patent: **Jul. 6, 1999**

[54] **ILLUMINATED FURNITURE**

[76] Inventors: **James Morrison**, 653 Harless Pl., West Hempstead, N.Y. 11552; **Robert Wisniewski, Jr.**, 177 Bedford Ave., Merrick, N.Y. 11566

2,593,886 4/1952 Johnson ..... 108/23 X  
 2,891,139 6/1959 Wass et al. .... 108/23  
 3,624,381 11/1971 Pollack et al. .... 108/23  
 5,171,060 12/1992 Kaye ..... 297/217.6 X  
 5,738,018 4/1998 Burnett ..... 108/23

### FOREIGN PATENT DOCUMENTS

8604493 8/1986 WIPO ..... 108/23

[21] Appl. No.: **08/901,655**  
 [22] Filed: **Jul. 28, 1997**

[51] Int. Cl.<sup>6</sup> ..... **A47C 7/62**  
 [52] U.S. Cl. .... **297/217.6; 297/217.3; 108/23; 211/153**  
 [58] Field of Search ..... **297/217.6, 217.3; 108/23; 211/134, 153**

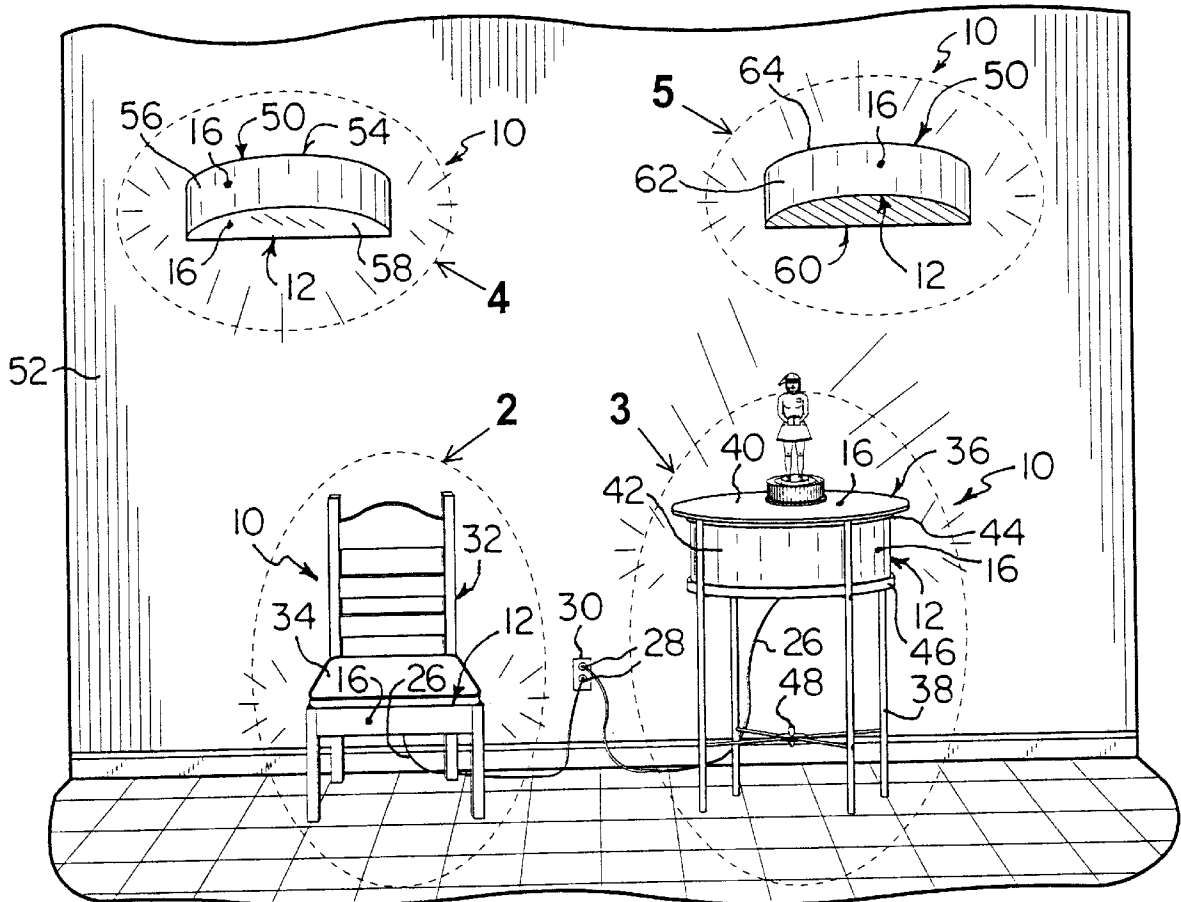
*Primary Examiner*—Laurie K. Cranmer  
*Attorney, Agent, or Firm*—Michael I. Kroll

### [57] ABSTRACT

A piece of illuminated furniture (10) comprises a diffuser (12) built therein that spreads light evenly. A light source (14) is within the diffuser (12) to produce illumination therefrom.

[56] **References Cited**  
**U.S. PATENT DOCUMENTS**  
 2,090,248 8/1937 Chakow ..... 108/23

**8 Claims, 7 Drawing Sheets**



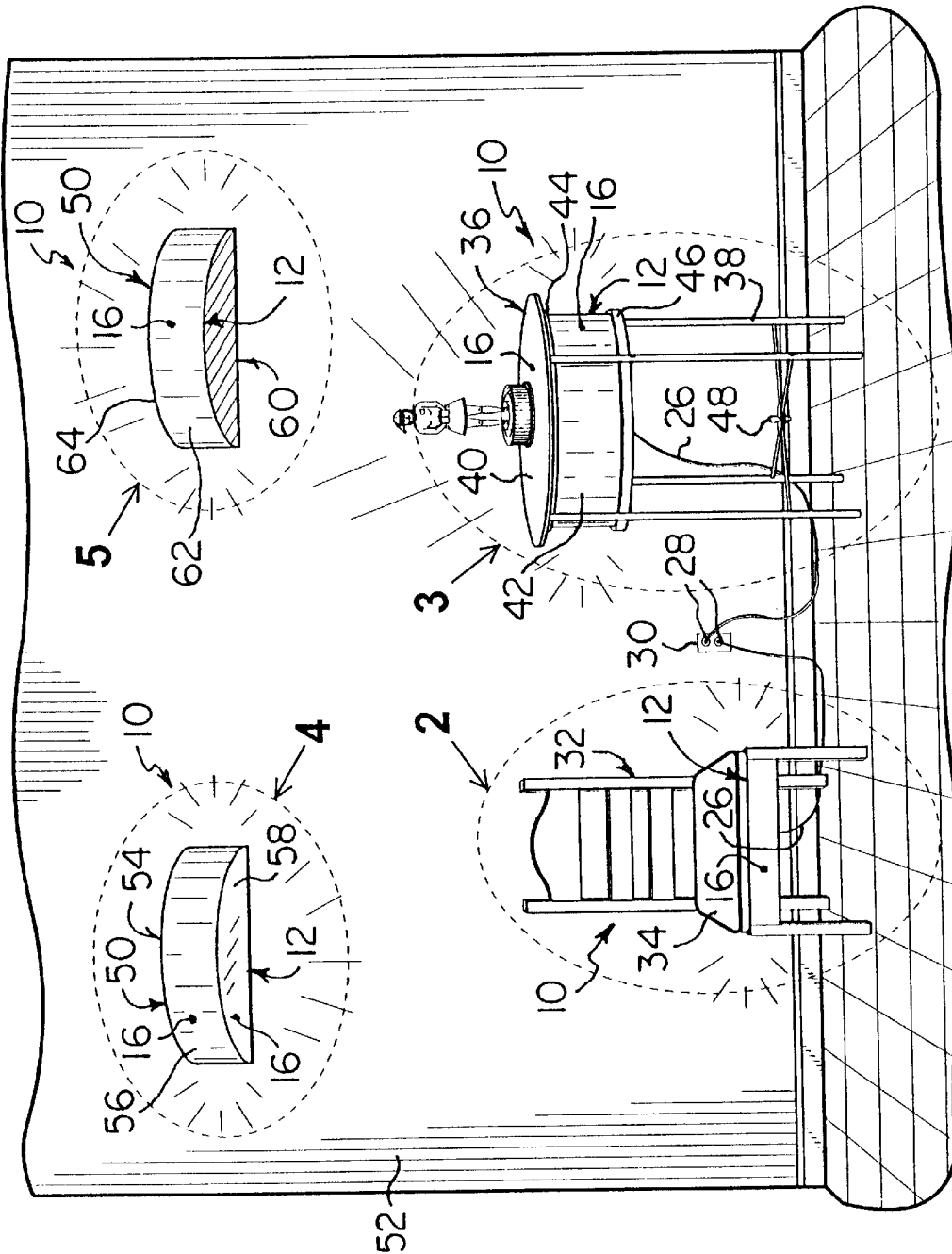
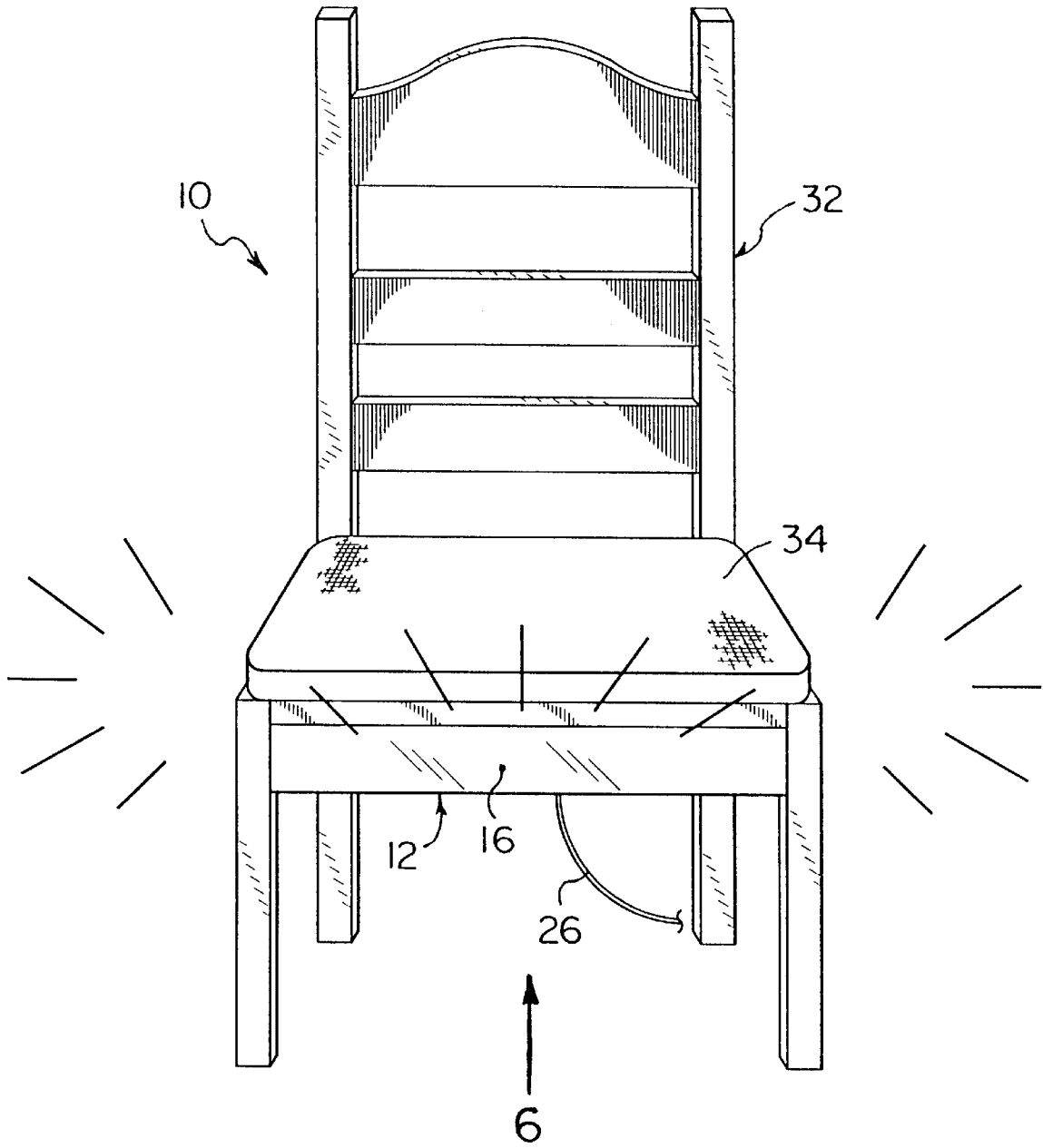
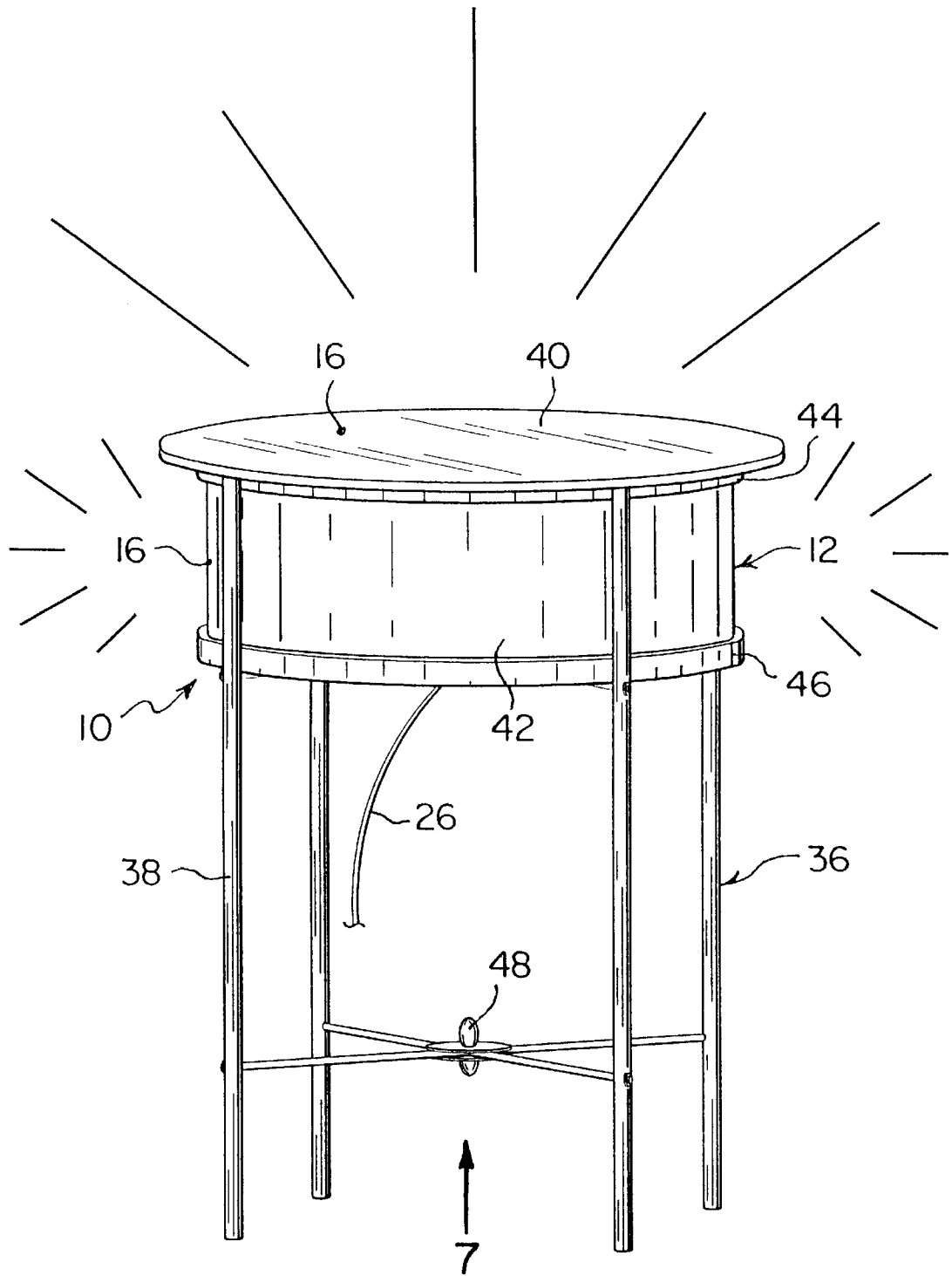


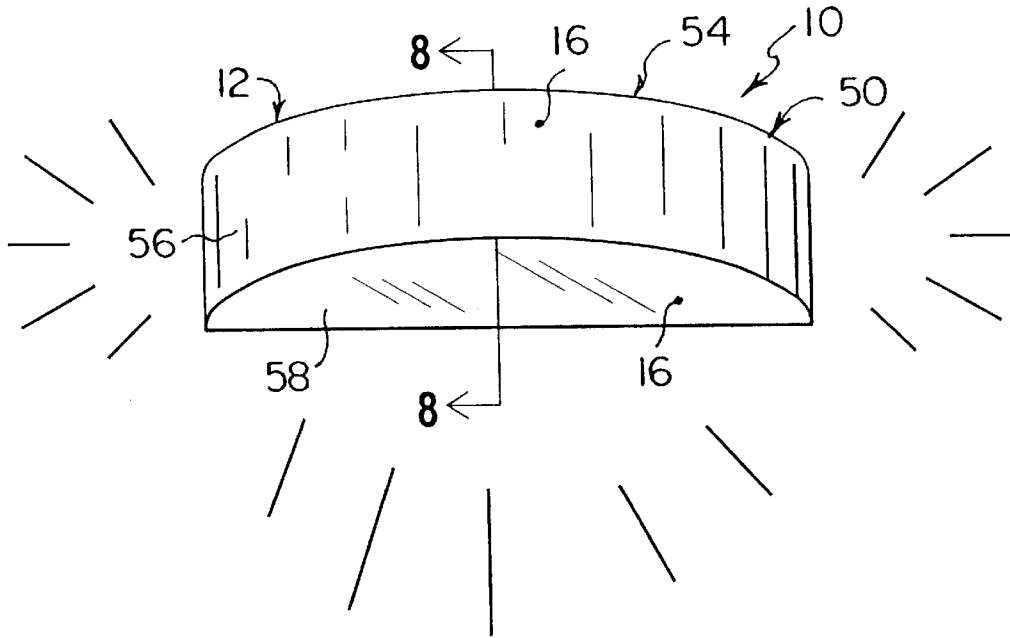
FIG 1



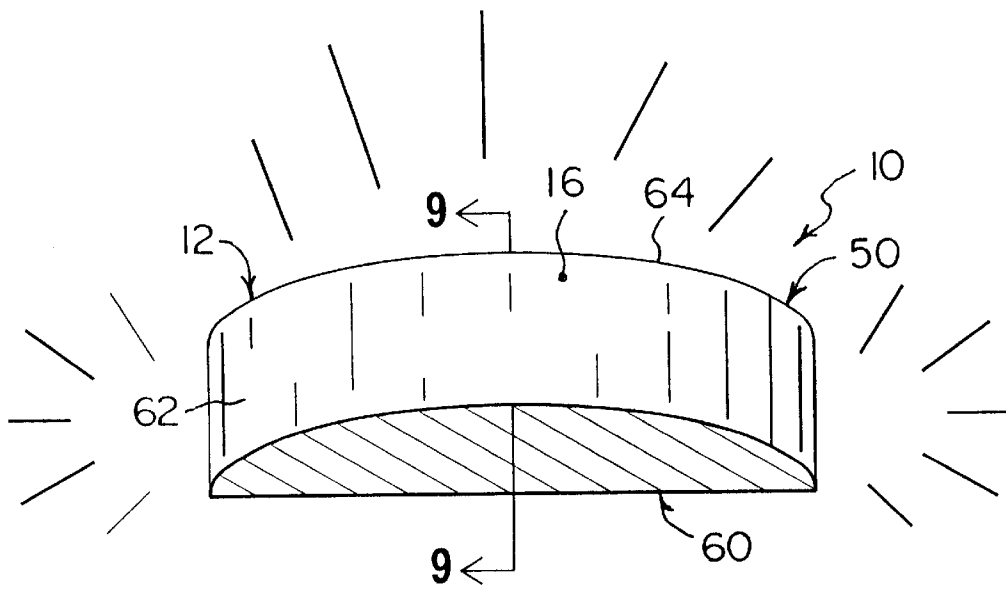
**FIG 2**



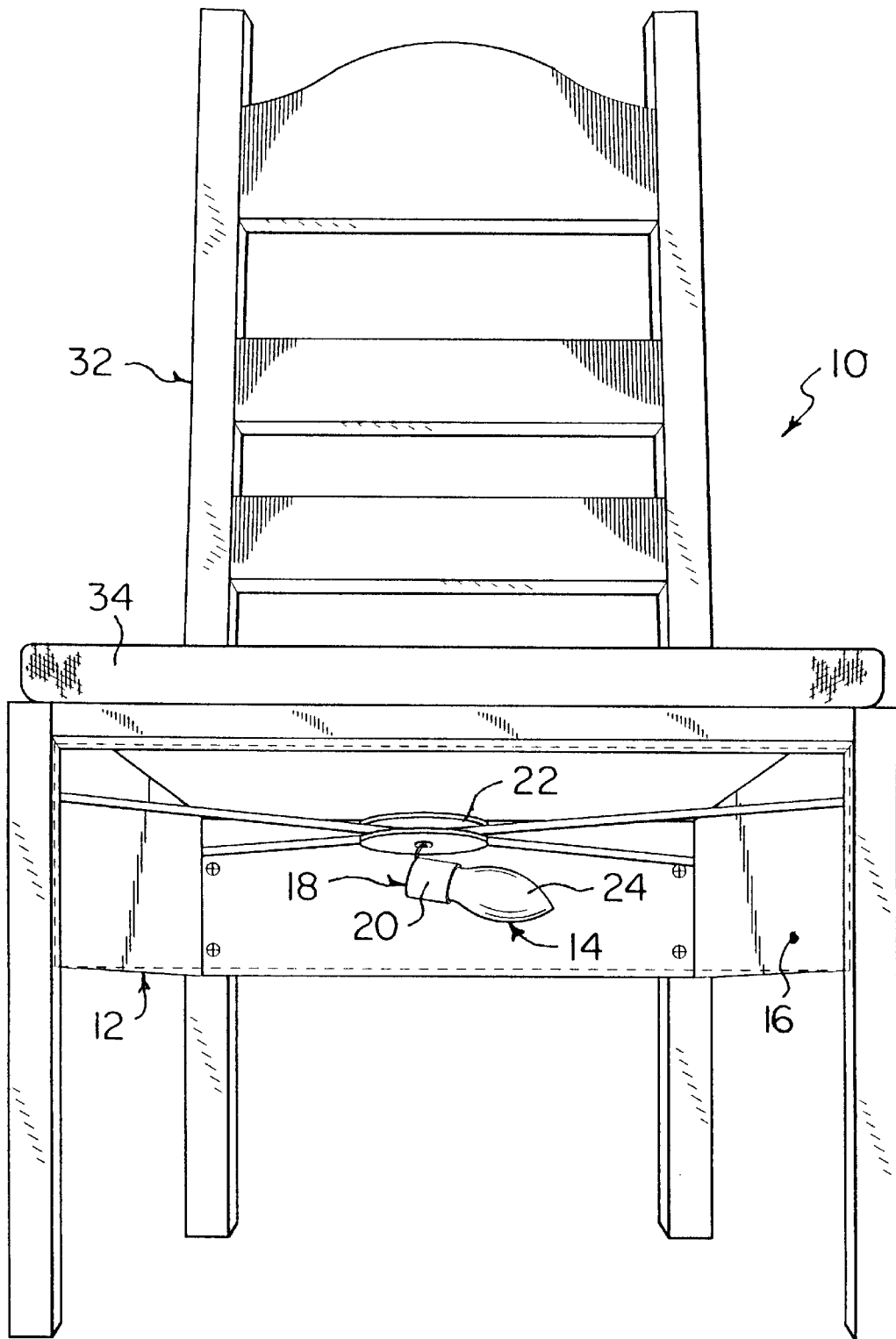
**FIG 3**



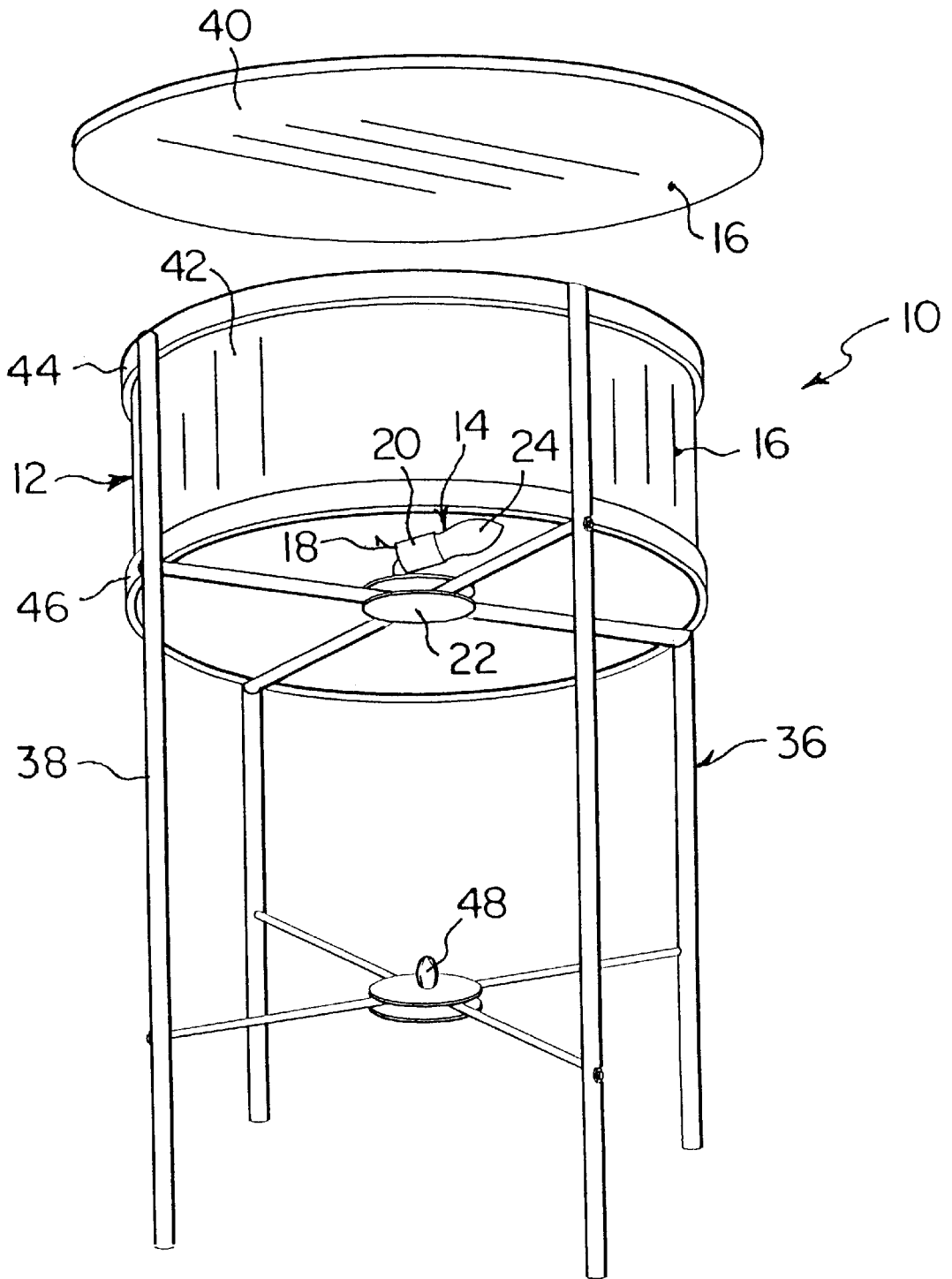
**FIG 4**



**FIG 5**



**FIG 6**



**FIG 7**

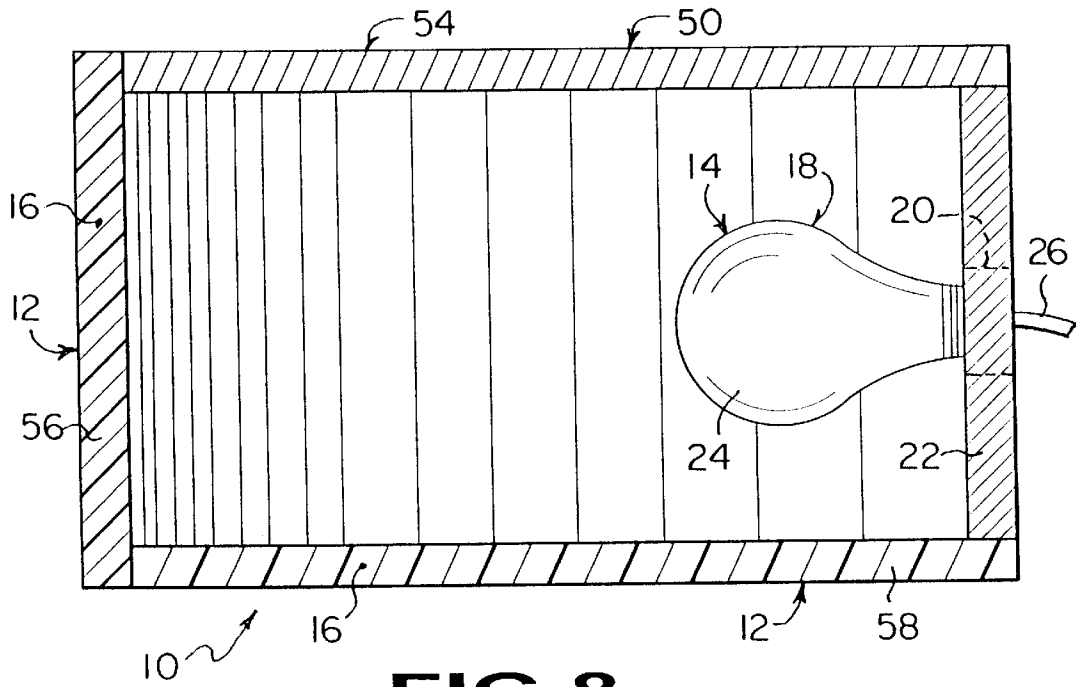


FIG 8

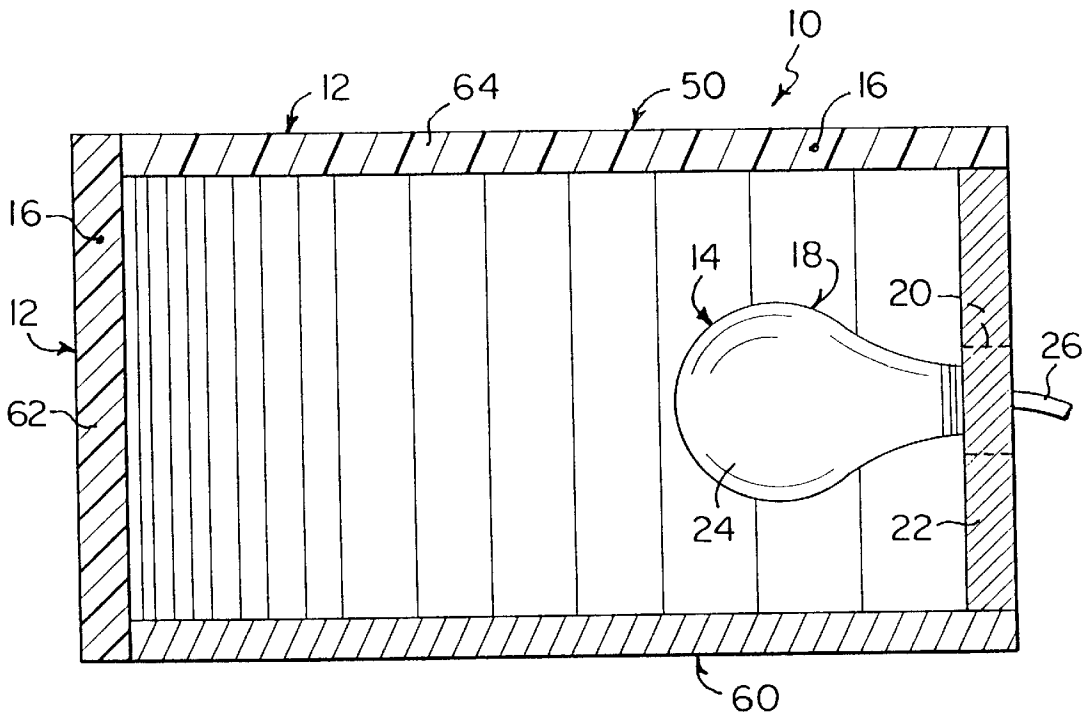


FIG 9



## ILLUMINATED FURNITURE

## BACKGROUND OF THE INVENTION

## 1. Field of the Invention

The instant invention relates generally to movable equipment and more specifically it relates to illuminated furniture. The illuminated furniture incorporates light sources within diffuser to produce illumination, as well as to serve ordinary their ordinary function within a room.

## 2. Description of the Prior Art

Numerous movable equipment have been provided in prior art that are adapted to be necessary, useful and desirable articles for rooms, such as chairs, tables or beds, that are fit for use within the rooms. While these units may be suitable for the particular purpose to which they address, they would not be as suitable for the purposes of the present invention as heretofore described.

## SUMMARY OF THE INVENTION

A primary object of the present invention is to provide illuminated furniture that will overcome the shortcomings of the prior art devices.

Another object is to provide illuminated furniture that will incorporate light sources, such as lamps, within diffusers being translucent material, so as to produce illumination, as well as to serve their ordinary function within a room of a building.

An additional object is to provide illuminated furniture that eliminates the need for light fixtures and lamps to light a room, since the light sources within the diffusers will produce all the illumination needed to light up the room.

A further object is to provide illuminated furniture that is simple and easy to use.

A still further object is to provide illuminated furniture that is economical in cost to manufacture.

Further objects of the invention will appear as the description proceeds.

To the accomplishment of the above and related objects, this invention may be embodied in the form illustrated in the accompanying drawings, attention being called to the fact, however, that the drawings are illustrative only, and that changes may be made in the specific construction illustrated and described within the scope of the appended claims.

## BRIEF DESCRIPTION OF THE DRAWING FIGURES

Various other objects, features and attendant advantages of the present invention will become more fully appreciated as the same becomes better understood when considered in conjunction with the accompanying drawings, in which like reference characters designate the same or similar parts throughout the several views, and wherein;

FIG. 1 is a perspective view of a portion of a room showing the instant invention therein, being different types of movable articles.

FIG. 2 is an enlarged perspective view as indicated by arrow 2 in FIG. 1, in which the instant invention is a chair.

FIG. 3 is an enlarged perspective view as indicated by arrow 3 in FIG. 1, in which the instant invention is a table.

FIG. 4 is an enlarged perspective view as indicated by arrow 4 in FIG. 1, in which the instant invention is a first type of shelf.

FIG. 5 is an enlarged perspective view as indicated by arrow 5 in FIG. 1, in which the instant invention is a second type of shelf.

FIG. 6 is a perspective view taken in the direction of arrow 6 in FIG. 2, with the front portion of the diffuser shown in phantom.

FIG. 7 is a perspective view taken in the direction of arrow 7 in FIG. 3, with the table top exploded therefrom.

FIG. 8 is a cross sectional view taken along line 8—8 in FIG. 4.

FIG. 9 is a cross sectional view taken along line 9—9 in FIG. 5.

Similar reference characters denote corresponding features consistently throughout the attached drawings.

## DETAILED DESCRIPTION OF THE PREFERRED EMBODIMENTS

Turning now descriptively to the drawings, in which similar reference characters denote similar elements throughout the several views, FIGS. 1 to 9 illustrate a piece of illuminated furniture 10 of the present invention. With regard to the reference numerals used, the following numbering is used throughout the various drawing figures.

10 a piece of illuminated furniture

12 diffuser of 10

14 light source of 10 in 12

16 transparent material for 12

18 lamp for 14

20 socket shell of 18

22 bracket of 18

24 light bulb of 18

26 power cord of 18

28 electric plug of 18 on 26

30 wall socket

32 chair for 10

34 seat of 32

36 table for 10

38 leg of 36

40 top of 36

42 cylindrical band of 12 in 36

44 first ring of 12 in 36

46 second ring of 12 in 36

48 adjustable support assembly in 36

50 shelf for 10

52 wall

54 semicircular housing for 50

56 front partition of 54 being 12

58 bottom partition of 54 being 12

60 semicircular housing for 50

62 front partition of 60 being 12

64 top partition of 60 being 12

The piece of illuminated furniture 10 comprises a diffuser 12 built therein that spreads light evenly. A light source 14 is within the diffuser 12 to produce illumination therefrom.

The diffuser 12 is fabricated out of translucent material 16. The translucent material 16 can be made of glass or plastic. The light source 14 is a lamp 18.

The lamp 18 includes a socket shell 20. A bracket 22 is for mounting the socket shell 20 within the diffuser 12. A light bulb 24 is in the socket shell 20, while a power cord 26 extends from the socket shell 20. An electric plug 28 is on a distal free end of the power cord 26 to engage with a wall socket 30, to carry electricity to the light bulb 24.

The piece of illuminated furniture **10** can be a chair **32** with the diffuser **12** and light source **14** located under a seat **34** of the chair **32**. The piece of illuminated furniture **10** can also be a table **26** having a plurality of legs **38** and top **40**. The diffuser **12** and the light source **14** are located under said top **40** of the table **36** between the legs **38**, to function as a frieze thereabout.

The diffuser **12** in the table **36** includes a cylindrical band **42**. A first ring **44** is secured about the legs **38** of the table **36** directly above the cylindrical band **42**. A second ring **46** is secured about the legs **38** of the table **36** directly below the cylindrical band **42**. The first ring **44** and the second ring **46** will hold the cylindrical band **42** in place. The top **40** of the table **36** can be part of the diffuser **12** by being fabricated out of the translucent material **16**. The table **36** further includes an adjustable support assembly **48** between the legs **38**, so as to stabilize the table **36** with the diffuser **12** and the light source **14** therein.

The piece of illuminated furniture **10** can be a shelf **50** mountable to a wall **52**, with the diffuser **12** and the light source **14** located within the shelf **50**. The shelf **50**, as best seen in FIG. **8**, is a semicircular housing **54** having a front partition **56** and a bottom partition **58** being the diffuser **12**. The shelf **50**, as best seen in FIG. **8**, is a semicircular housing **60** having a front partition **62** and top partition **64** being the diffuser **12**.

#### Operation of the Invention

To use the piece of illuminated furniture **10**, being the chair **32** the following steps should be taken:

1. Place the legs of the chair **32** upon the floor adjacent the wall socket **30**.
2. Screw the light bulb **24** into the socket shell **20** of the lamp **18**.
3. Insert the electric plug **28** on the distal free end of the power cord **26** into the wall socket **30**.
4. Make sure that the light bulb **24** is good by checking to see how it illuminates from within the diffuser **12**.

To use the piece of illuminated furniture **10**, being the table **36**, the following steps should be taken:

1. Place the legs **38** of the table **36** upon the floor adjacent the wall socket **30**.
2. Screw the light bulb **24** into the socket shell **20** of the lamp **18**.
3. Insert the electric plug **28** on the distal free end of the power cord **26** into the wall socket **30**.
4. Make sure that the light bulb **24** is good by checking to see how it illuminates from within the diffuser **12**.

The use the piece of illuminated furniture **10**, being the shelf **50**, following steps should be taken:

1. Screw the light bulb **24** into the socket shell **20** of the lamp **18**.
2. Connect the power cord **26** to the electric circuit within the wall **52**.
3. Mount the flat portion of the semicircular housing **54/60** to the wall **52**.
4. Make sure that the light bulb **24** is good by checking to see how it illuminates from within the diffuser **12**.

It will be understood that each of the elements described above, or two or more together may also find a useful

application in other types of methods differing from the type described above.

While certain novel features of this invention have been shown and described are pointed out in the annexed claims, it is not intended to be limited to the details above, since it will be understood that various omissions, modifications, substitutions and changes in the forms and details of the device illustrated and in its operation can be made by those skilled in the art without departing in any way from the spirit of the present invention.

Without further analysis, the foregoing will so fully reveal the gist of the present invention that others can, by applying current knowledge, readily adapt it for various applications without omitting features that, from the standpoint of prior art, fairly constitute essential characteristics of the generic or specific aspects of this invention.

What is claimed is new and desired to be protected by Letters Patent is set forth in the appended claims:

1. A piece of illuminated furniture comprising:

- a) a table having a plurality of legs and a top;
- b) a diffuser built in said table that spreads light evenly including:
  - i) a cylindrical band;
  - ii) a first ring secured about said legs of said table directly above said cylindrical band; and
  - iii) a second ring secured about said legs of said table directly below said cylindrical band, so that said first ring and said second ring will hold said cylindrical band in place; and

c) a light source within said diffuser to produce illumination therefrom, said diffuser and said light source located under said top of said table between said legs, to function as a frieze thereabout.

2. A piece of illuminated furniture as recited in claim **1**, wherein said diffuser is fabricated out of translucent material.

3. A piece of illuminated furniture as recited in claim **2**, wherein said translucent material is made of glass.

4. A piece of illuminated furniture as recited **2**, wherein said translucent material is made of plastic.

5. A piece of illuminated furniture as recited **1**, wherein said light source is a lamp.

6. A piece of illuminated furniture as recited **5**, wherein said lamp includes:

- a) a socket shell;
- b) a bracket for mounting said socket shell within said diffuser;
- c) a light bulb in said socket shell;
- d) a power cord extending from said socket shell; and
- e) an electric plug on a distal free end of said power cord to engage with a wall socket, to carry electricity to said light bulb.

7. A piece of illuminated furniture as recited **1**, wherein said top of said table is part of said diffuser by being fabricated out of translucent material.

8. A piece of illuminated furniture as recited in claim **1**, wherein said table further includes an support assembly between said legs, so as to stabilize said table with said diffuser and said light source therein.