



US005921427A

**United States Patent** [19]  
**Giannone et al.**

[11] **Patent Number:** **5,921,427**  
[45] **Date of Patent:** **Jul. 13, 1999**

[54] **TRASH DISCRIMINATOR DEVICE**

5,190,183	3/1993	McNaughton et al. ....	248/95 X
5,193,713	3/1993	Greathouse et al. ....	220/495.08 X
5,381,918	1/1995	Dahl .....	220/694 X
5,577,632	11/1996	Blanchette et al. ....	220/730

[76] Inventors: **Benny Giannone**, 151 Tullamore Rd., Garden City; **Salvatore Giannone**, 193 Beach 127th St., Rockaway, both of N.Y. 11694

*Primary Examiner*—Allan N. Shoap  
*Assistant Examiner*—Joe Merek  
*Attorney, Agent, or Firm*—Michael I. Kroll

[21] Appl. No.: **08/925,396**

[57] **ABSTRACT**

[22] Filed: **Sep. 8, 1997**

[51] **Int. Cl.<sup>6</sup>** ..... **B65D 25/16**; B65D 90/04

A trash discriminator device (10) for a container (12) having an open top edge (14) which holds a plastic bag (16) therein, with an upper portion (18) of the plastic bag (16) folded over the open top edge (14) of the container (12). The device (10) comprises a barrier (26) placed over the open top edge (14) of the container (12) to allow trash to enter the plastic bag (16), while preventing a tray (24) to be deposited into the plastic bag (16). A structure (28) is for attaching in a removable manner the barrier (26) onto the open top edge (14) of the container (12) on the folded over upper portion (18) of the plastic bag (16), so as to hold the plastic bag (16) in place and stop the plastic bag (16) from sliding down into the container (12).

[52] **U.S. Cl.** ..... **220/495.06**; 220/694; 220/729; 248/99; 248/101; 248/213.2

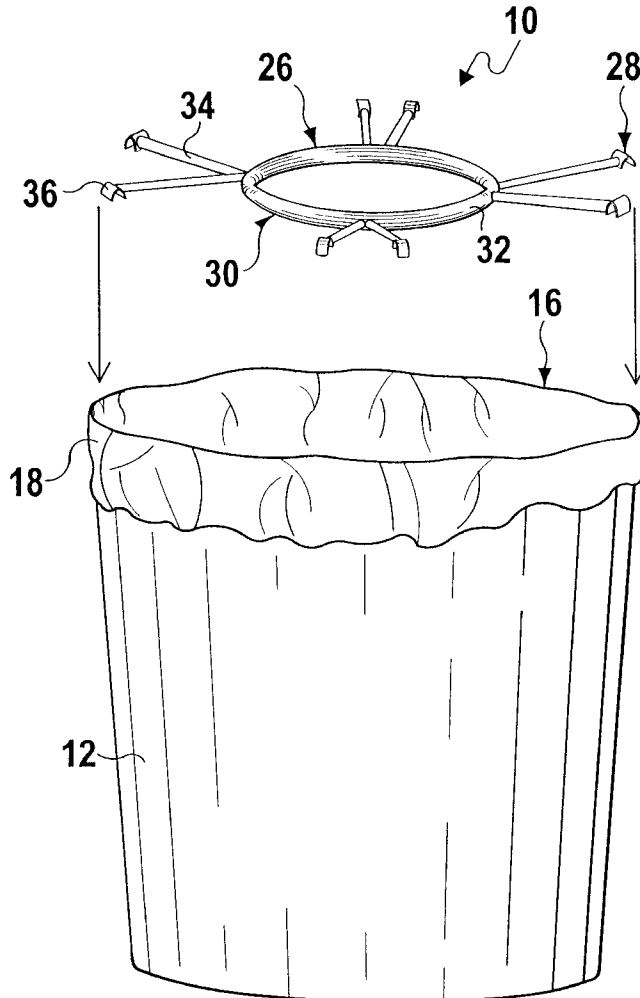
[58] **Field of Search** ..... 220/404, 694, 220/729, 730, 495.08; 248/101, 95, 231.81, 213.2, 99

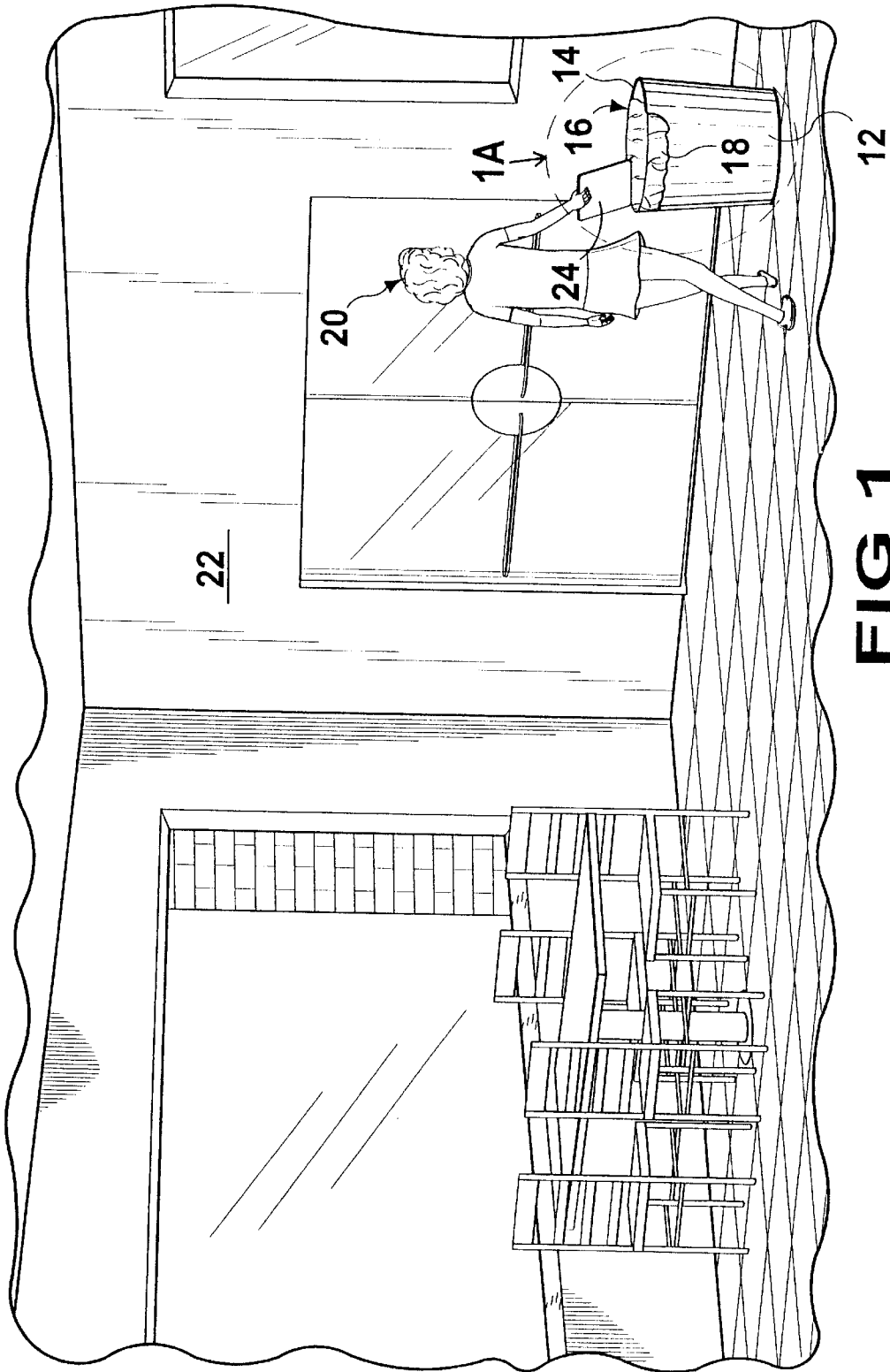
[56] **References Cited**

**U.S. PATENT DOCUMENTS**

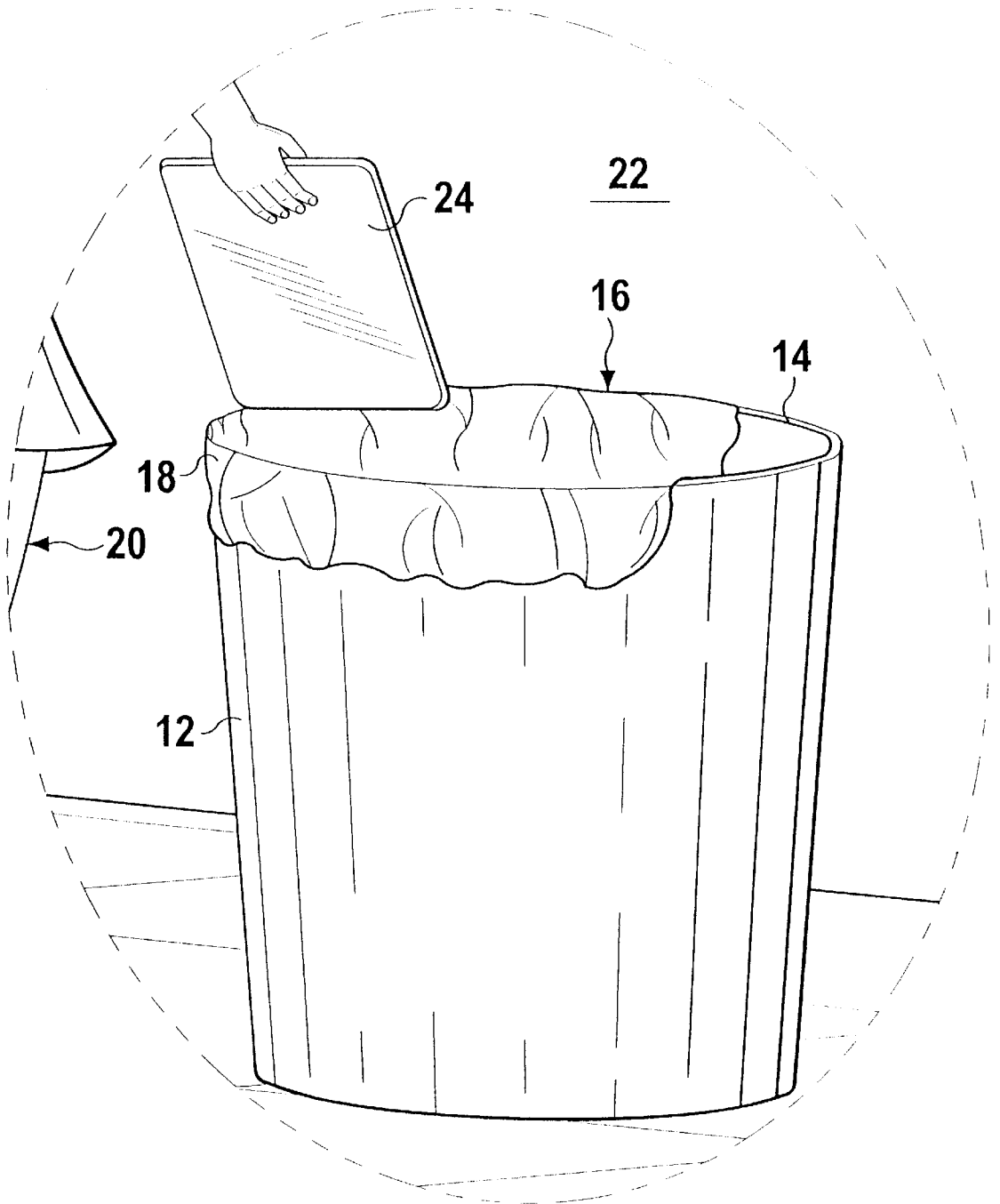
1,643,407	9/1927	Florence .....	220/495.11 X
2,960,256	11/1960	Feibelman .....	220/729
4,426,015	1/1984	Preston et al. ....	220/495.08 X
4,878,590	11/1989	Porter .....	220/890

**2 Claims, 10 Drawing Sheets**

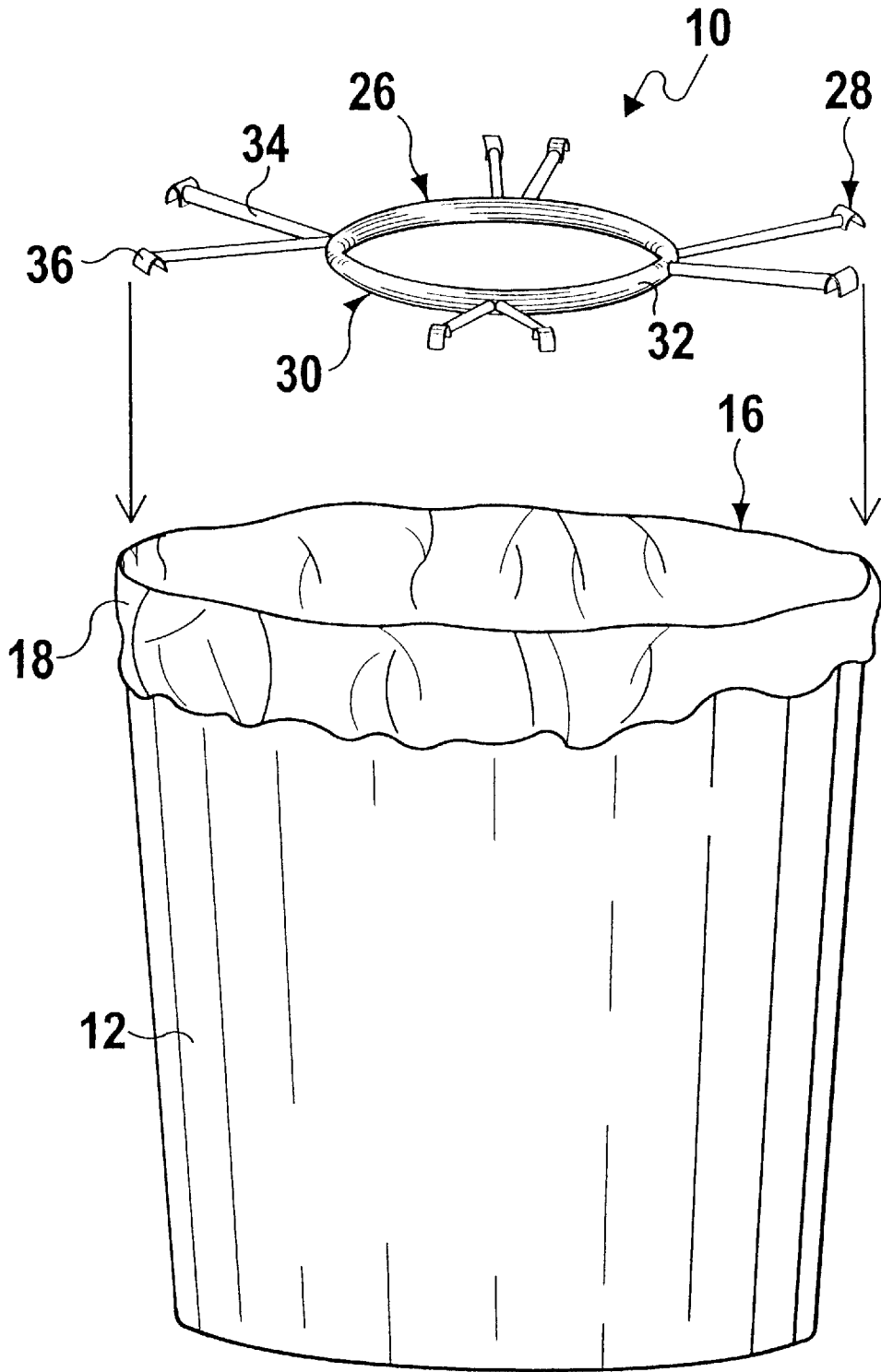




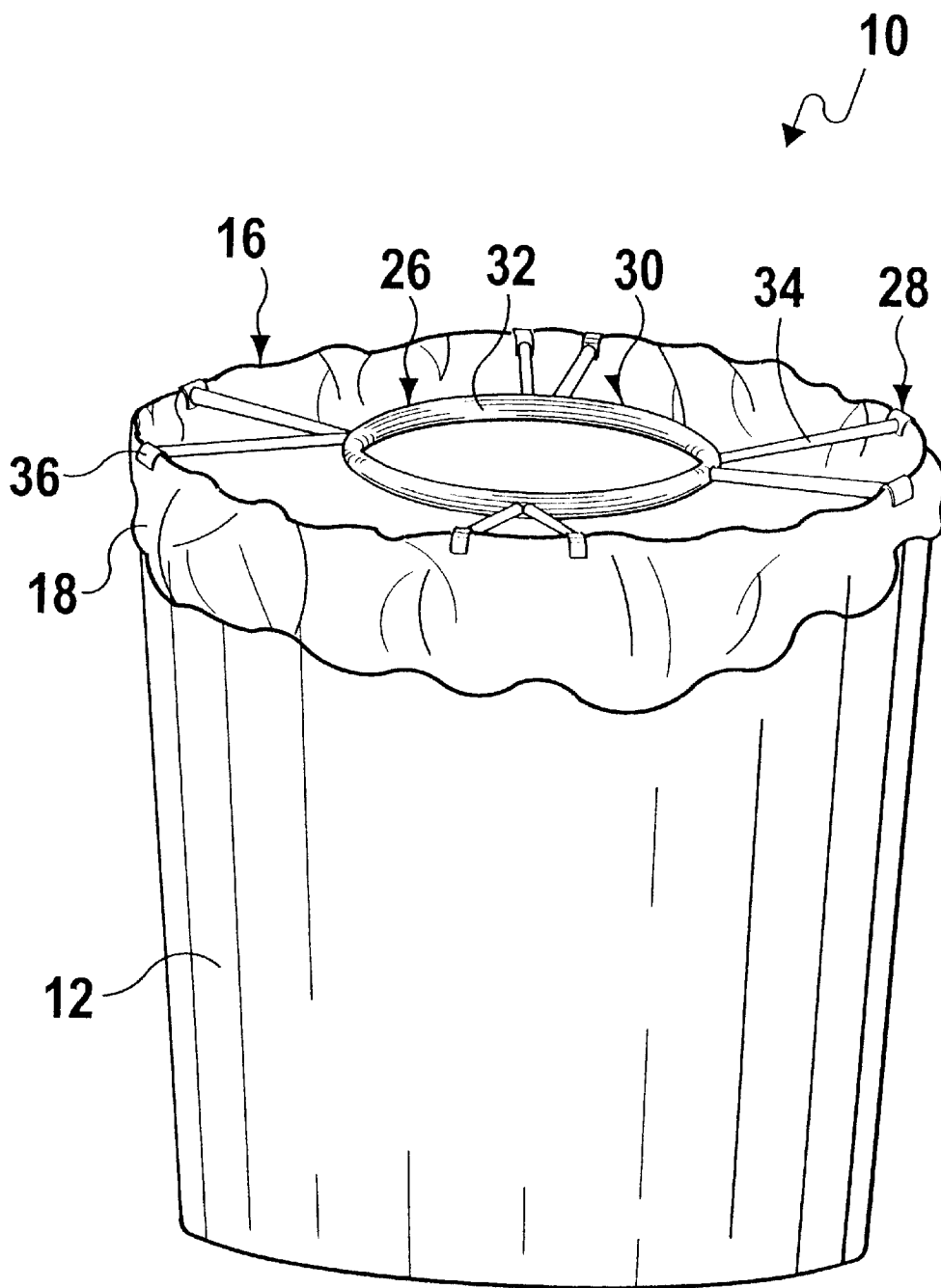
**FIG 1**  
( PRIOR ART )



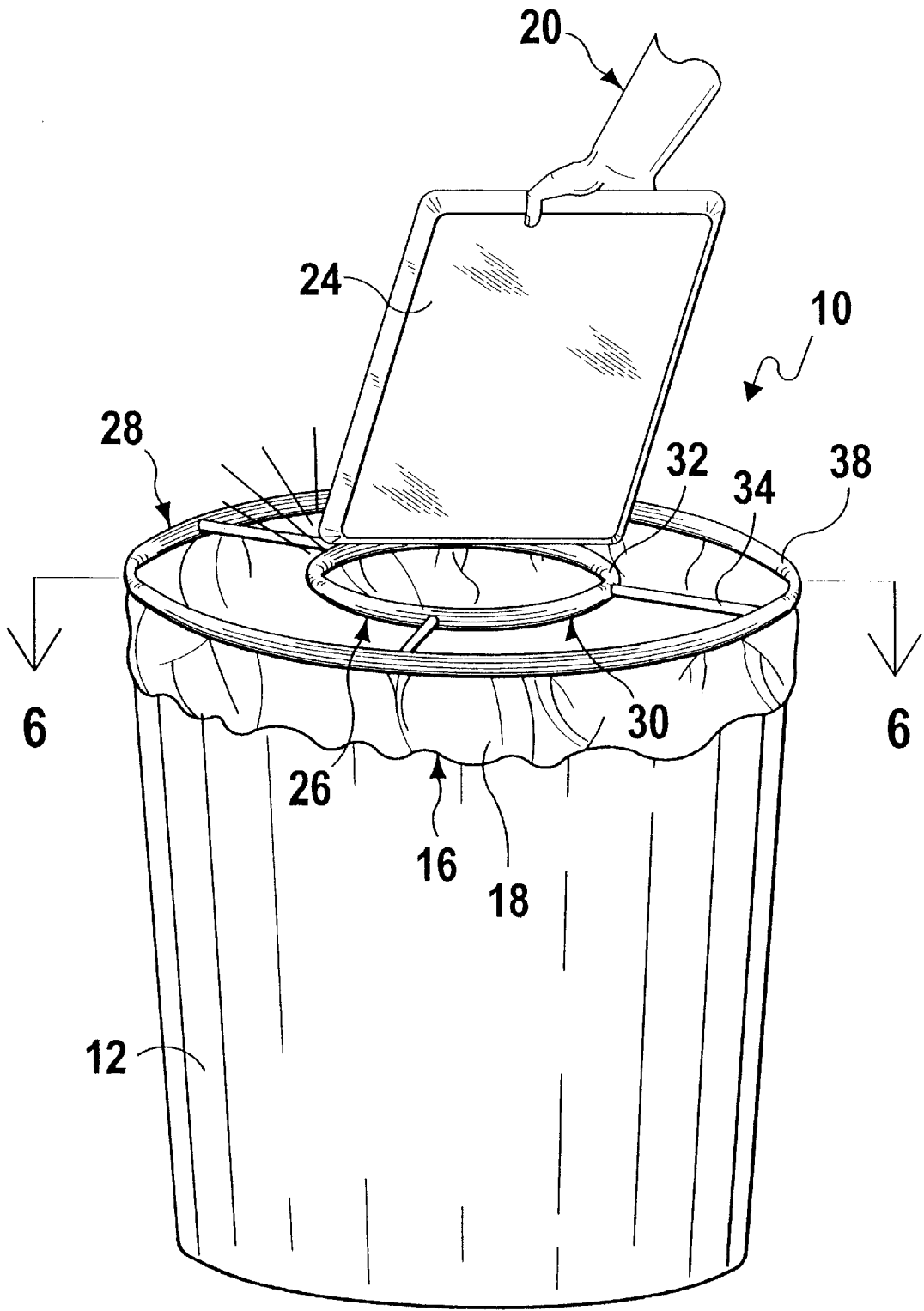
**FIG 1A**  
( PRIOR ART )



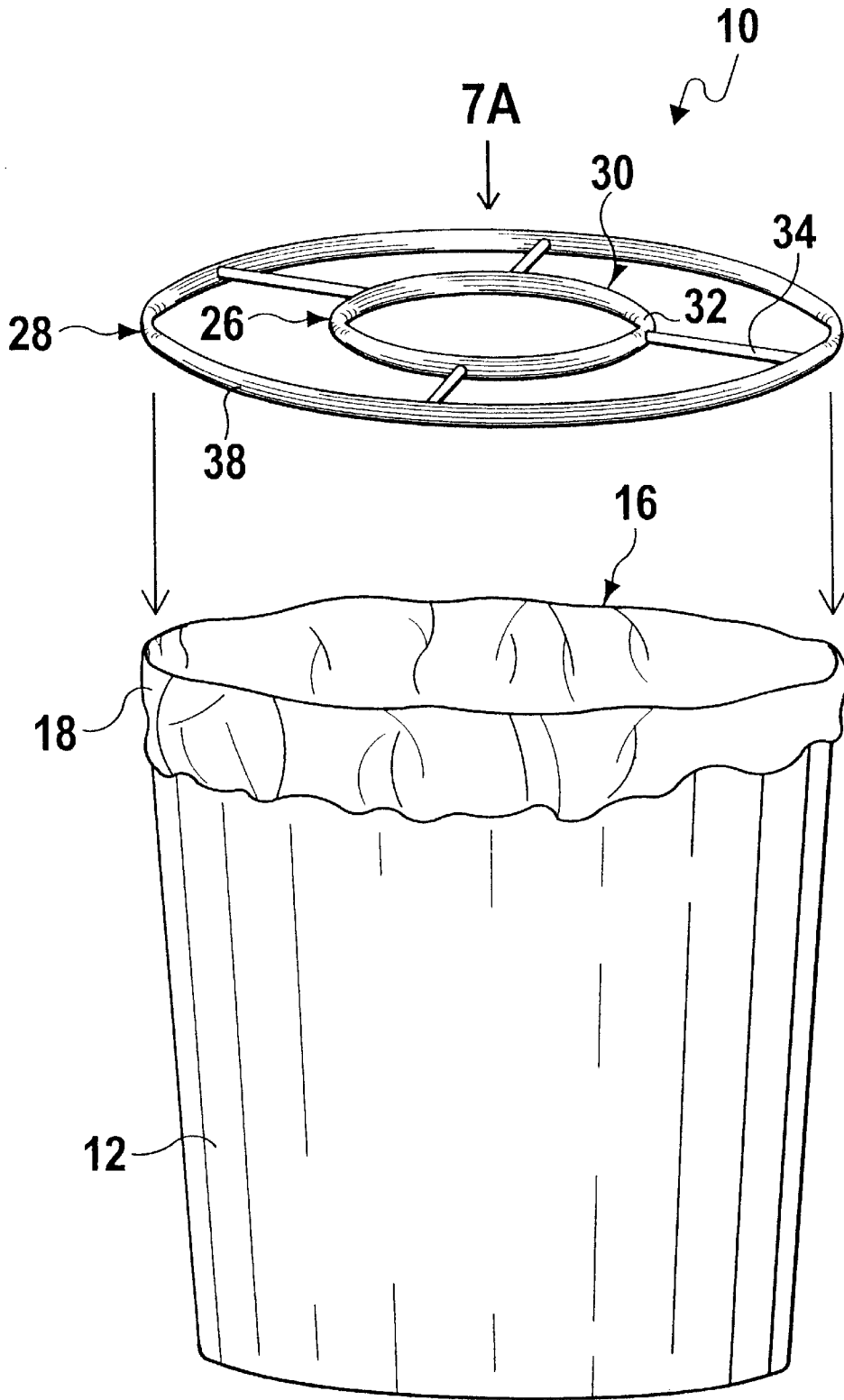
**FIG 2**



**FIG 3**



**FIG 4**



**FIG 5**

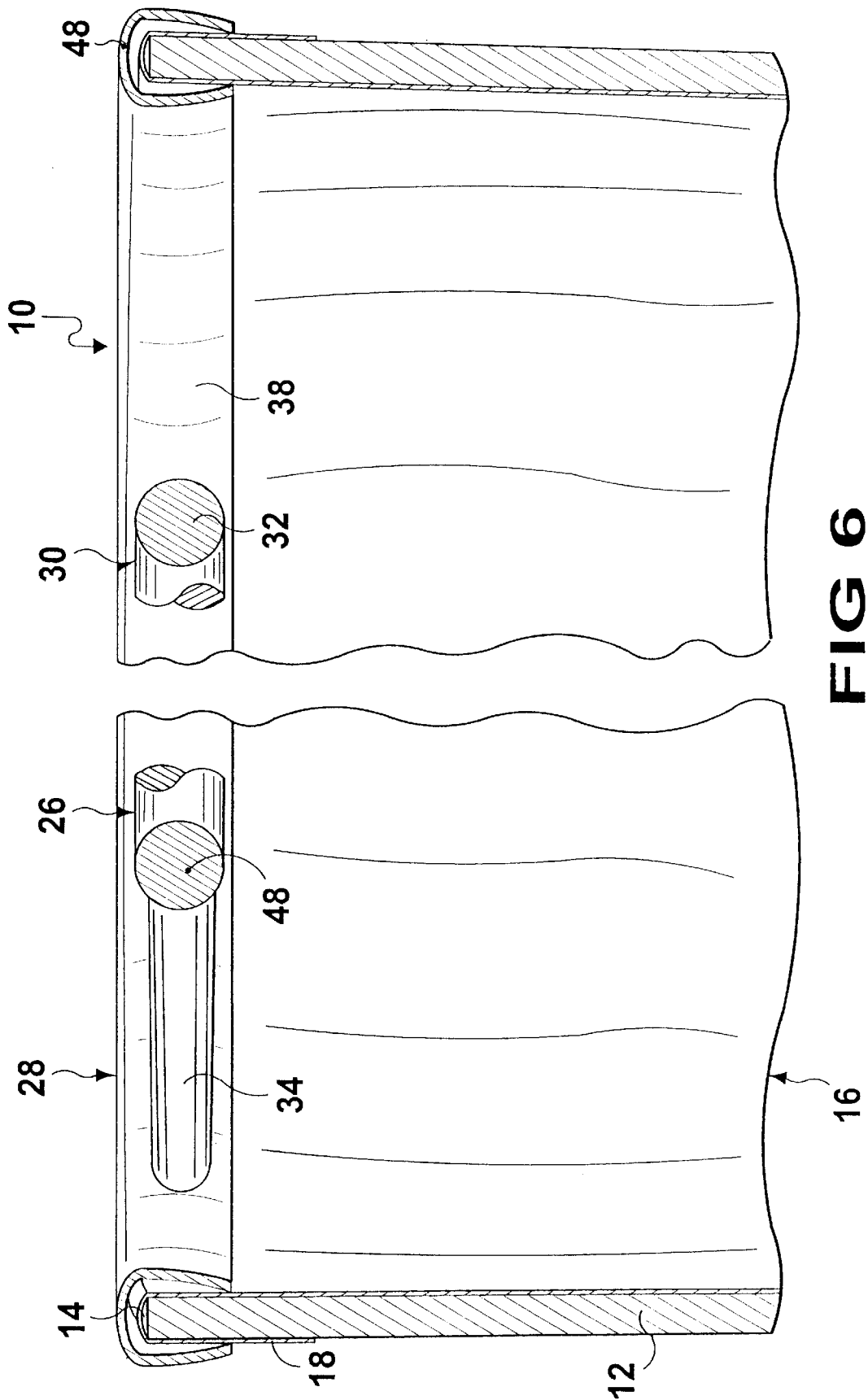
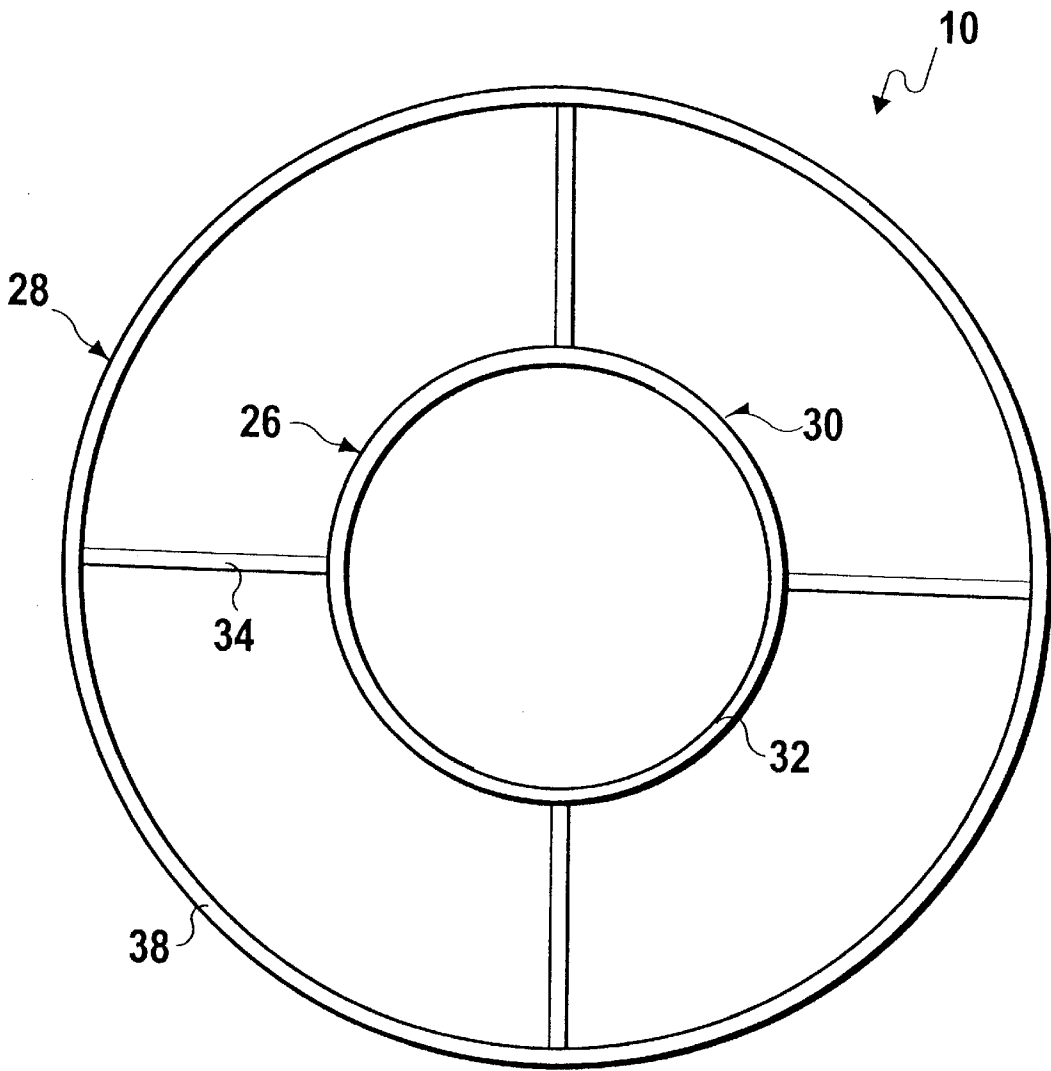
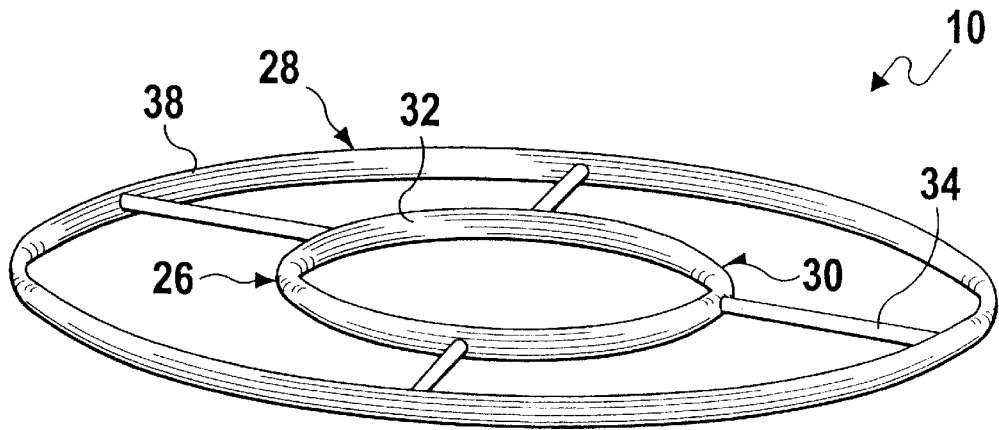


FIG 6

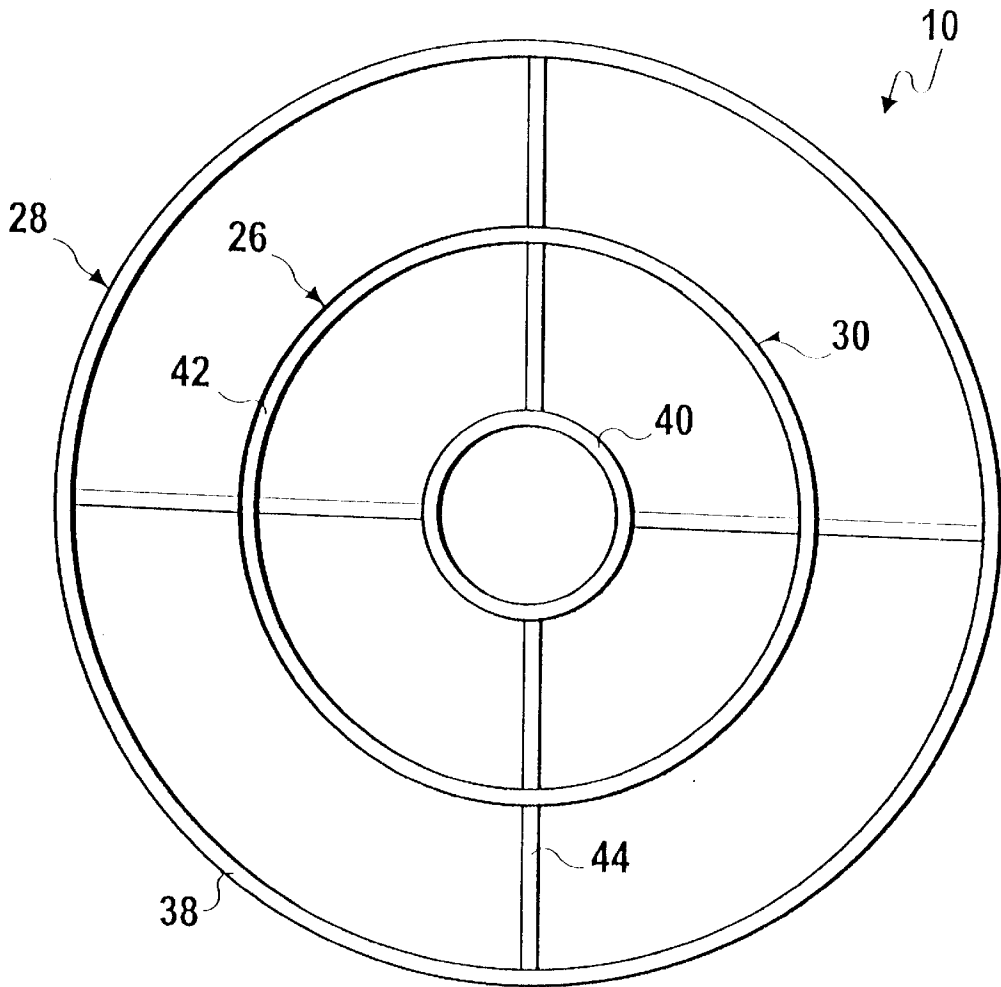




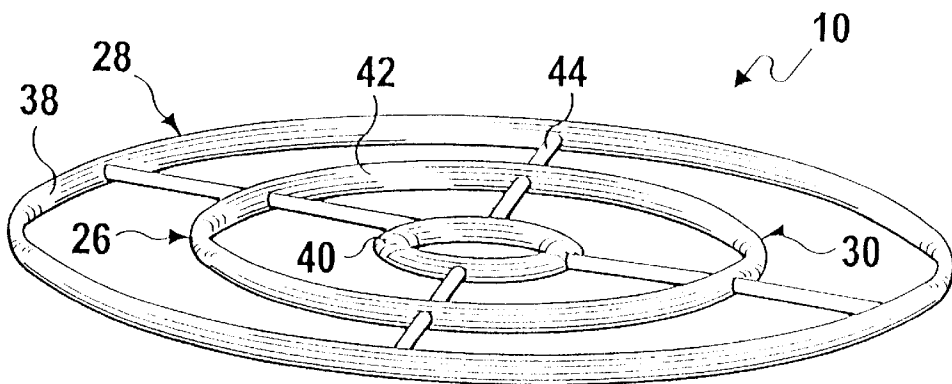
**FIG 7A**



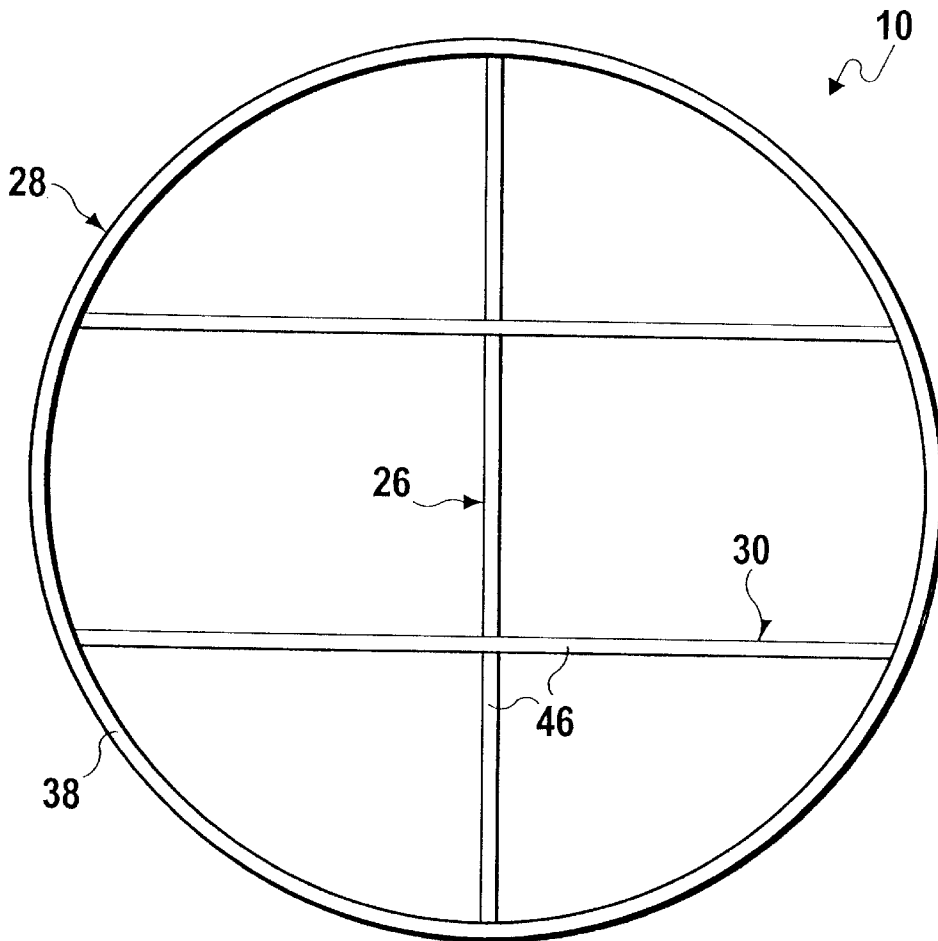
**FIG 7B**



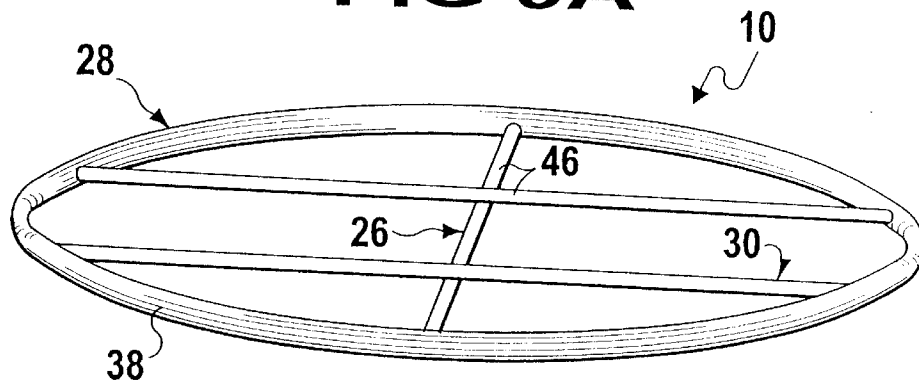
**FIG 8A**



**FIG 8B**



**FIG 9A**



**FIG 9B**

## TRASH DISCRIMINATOR DEVICE

### BACKGROUND OF THE INVENTION

#### 1. Field of the Invention

The instant invention relates generally to screening systems and more specifically it relates to a trash discriminator device. The trash discriminator device is connected over a plastic bag in a container, so as to allow regular trash to enter the plastic bag, while preventing other large objects, such as trays, to be deposited therein.

#### 2. Description of the Prior Art

Numerous screening systems have been provided in prior art that are adapted to sift out fine particles, such as sand, gravel or coal by means of utilizing sieves. While these units may be suitable for the particular purpose to which they address, they would not be as suitable for the purposes of the present invention as heretofore described.

### SUMMARY OF THE INVENTION

A primary object of the present invention is to provide a trash discriminator device that will overcome the shortcomings of the prior art devices.

Another object is to provide a trash discriminator device that contains a barrier placed over a plastic bag in a container, so that the barrier will allow regular trash to enter the plastic bag and prevent other large objects, such as trays, to be deposited within the plastic bag.

An additional object is to provide a trash discriminator device in which a clamping member on the barrier will hold an upper portion of the plastic bag folded over an open top edge of the container in place and to prevent the plastic bag from sliding down into the container.

A further object is to provide a trash discriminator device that is simple and easy to use.

A still further object is to provide a trash discriminator device that is economical in cost to manufacture.

Further objects of the invention will appear as the description proceeds.

To the accomplishment of the above and related objects, this invention may be embodied in the form illustrated in the accompanying drawings, attention being called to the fact, however, that the drawings are illustrative only, and that changes may be made in the specific construction illustrated and described within the scope of the appended claims.

### BRIEF DESCRIPTION OF THE DRAWING FIGURES

Various other objects, features and attendant advantages of the present invention will become more fully appreciated as the same becomes better understood when considered in conjunction with the accompanying drawings, in which like reference characters designate the same or similar parts throughout the several views, and wherein;

FIG. 1 is a perspective view of a typical fast food restaurant, showing the prior art in use.

FIG. 1A is an enlarged perspective view of the prior art in use as indicated by arrow 1A in FIG. 1.

FIG. 2 is a perspective view, showing a first embodiment of the instant invention ready to be put in place.

FIG. 3 is a perspective view similar to FIG. 2, showing the first embodiment in place.

FIG. 4 is a perspective view similar to FIG. 3, showing a second embodiment of the instant invention in place and in use.

FIG. 5 is a perspective view similar to FIG. 2, showing the second embodiment ready to be put in place.

FIG. 6 is an enlarged cross sectional view taken along line 6—6 in FIG. 4.

FIG. 7A is a top plan view of the second embodiment per se, taken in the direction of arrow 7A in FIG. 5.

FIG. 7B is a top perspective view of the second embodiment.

FIG. 8A is a top plan view of a third embodiment of the instant invention.

FIG. 8B is a top perspective view of the third embodiment.

FIG. 9A is a top plan view of a fourth embodiment of the instant invention.

FIG. 9B is a top perspective view of the fourth embodiment.

Similar reference characters denote corresponding features consistently throughout the attached drawings.

### DETAILED DESCRIPTION OF THE PREFERRED EMBODIMENTS

Turning now descriptively to the drawings, in which similar reference characters denote similar elements throughout the several views, FIGS. 2 through 9B illustrate a trash discriminator device 10 of the present invention. With regard to the reference numerals used, the following numbering is used throughout the various drawing figures.

- 10 trash discriminator device
- 12 container
- 14 open top edge of 12
- 16 plastic bag
- 18 upper portion of 16
- 20 person
- 22 fast food restaurant
- 24 tray
- 26 barrier of 10
- 28 attaching structure of 10
- 30 grate for 26
- 32 ring of 30
- 34 arm of 30
- 36 C-shaped clip of 28
- 38 annular clamp for 28
- 40 small ring of 30
- 42 large ring of 30
- 44 arm of 30
- 46 crisscrossing bars of 30
- 48 strong durable material for 26 and 28

FIGS. 1 and 1A show the prior art being a container 12 having an open top edge 14 which holds a plastic bag 16 therein, with an upper portion 18 of the plastic bag 16 folded over the open top edge 14 of the container 12 which is sliding down into the container 12. A person 20 in a fast food restaurant 22 is depositing a tray 24 into the plastic bag 16.

The trash discriminator device 10 comprises a barrier 26 placed over the open top edge 14 of the container 12 to allow trash to enter the plastic bag 16, while preventing the tray 24 to be deposited into the plastic bag 16. A structure 28 is for attaching in a removable manner the barrier 26 onto the open top edge 14 of the container 12 on the folded over upper portion 18 of the plastic bag 16, so as to hold the plastic bag 16 in place and stop the plastic bag 16 from sliding down into the container 12. The barrier 26 is a grate 30, sized to fit over the open top edge 14 of the container 12.

The grate 30, as shown in FIGS. 2 to 7B, includes a ring 32 and a plurality of arms 34. Each arm 34 is affixed at a first end to the ring 32, to radially extend outwardly therefrom.

The attaching structure **28** in FIGS. 2 and 3, consists of a plurality of C-shaped clips **36**. Each clip **36** is affixed to a second end of each arm **34**, so that the clips **36** can engage with the open top edge **14** of the container **12** and onto the folded over upper portion **18** of the plastic bag **16**. The attaching structure **28** in FIGS. 4 to 7B, comprises an annular clamp **38** affixed to a second end of each of the arms **34**. The annular clamp **38** being concentric with the ring **32** can engage with the open top edge **14** of the container **12** and onto the folded over upper portion **18** of the plastic bag **16**, since the open top edge of the container **14** is of the same circular size as the annular clamp **38**.

The grate **30** in FIGS. 8A and 8B include a small ring **40** and a large ring **42** concentric with the small ring **40**. A plurality of arms **44** are provided. Each arm **44** is affixed at a first end to the small ring **40**, to radially extend outwardly therefrom through the large ring **42**. The annular clamp **38** is affixed to a second end of each of the arms **44**. The annular clamp **38** being concentric with the small ring **40** and the large ring **42** can engage with the open top edge **14** of the container **12** and onto the folded over upper portion **18** of the plastic bag **16**, since the open top edge **14** of the container **12** is of the same circular size as the annular clamp **38**.

The grate **30** in FIGS. 9A and 9B, consists of a plurality of crisscrossing bars **46**. Opposite ends of the crisscrossing bars **46** are affixed to the annular clamp **38**. The annular clamp **38** can engage with the open top edge **14** of the container **12** and onto the folded over upper portion **18** of the plastic bag **16**, since the open top edge of the container **12** is of the same circular size as the annular clamp **38**.

The barrier **26** is fabricated out of a strong durable material **48**. The attaching structure **28** is also fabricated out of the strong durable material **48**, which can be metal as shown in FIG. 6 or plastic.

It will be understood that each of the elements described above, or two or more together may also find a useful application in other types of methods differing from the type described above.

While certain novel features of this invention have been shown and described are pointed out in the annexed claims, it is not intended to be limited to the details above, since it will be understood that various omissions, modifications, substitutions and changes in the forms and details of the device illustrated and in its operation can be made by those skilled in the art without departing in any way from the spirit of the present invention.

Without further analysis, the foregoing will so fully reveal the gist of the present invention that others can, by applying current knowledge, readily adapt it for various applications without omitting features that, from the standpoint of prior art, fairly constitute essential characteristics of the generic or specific aspects of this invention.

What is claimed is new and desired to be protected by Letters Patent is set forth in the appended claims:

1. A trash discriminator device comprising, in combination, a container having an open top edge, a plastic bag with an upper portion of the plastic bag folded over the open top edge of the container, a tray carrying waste to be deposited into said plastic bag, and means for preventing said tray from being deposited into said plastic bag along with said trash comprising a barrier placed over the opening into said plastic bag folded over the open top edge of the container, said barrier comprising a grate having a hollow ring in the center to permit unrestricted entry of trash into said plastic bag through said ring while blocking said tray and a plurality of radially extending arms, each of said arms being fixed at a proximate end to said ring and having a free distal end, a C-shaped clip mounted on the distal end of each of said arms engaged with the top edge of said container over said plastic bag to hold said grate in place while being readily removable.

2. A trash discriminator device as recited in claim 1, wherein said barrier is fabricated out of a strong durable material.

\* \* \* \* \*