



US006050165A

United States Patent [19]
Hall

[11] **Patent Number:** **6,050,165**
[45] **Date of Patent:** **Apr. 18, 2000**

[54] **RATCHET BOX WRENCH**

[76] Inventor: **Charles E Hall**, 1278 Mariposa Dr.
Northeast, Palm Bay, Fla. 32905

[21] Appl. No.: **09/157,843**

[22] Filed: **Sep. 21, 1998**

[51] **Int. Cl.**⁷ **B25B 13/46**

[52] **U.S. Cl.** **83/63.1; 81/59.1; 81/58.2**

[58] **Field of Search** 81/59.1-63.2,
81/58.1, 58.4, 57.1-57.45

[56] **References Cited**

U.S. PATENT DOCUMENTS

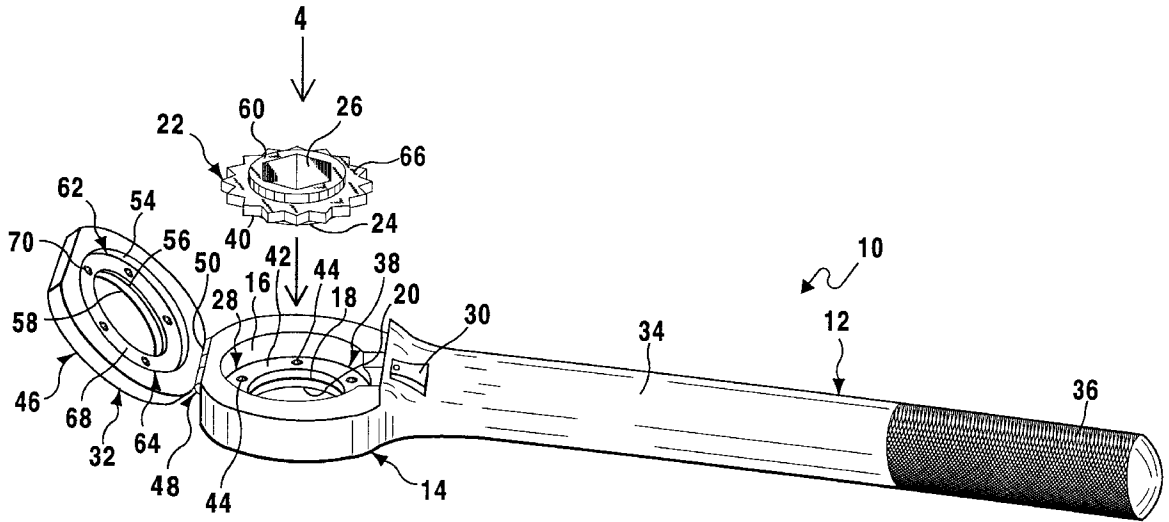
4,362,072	12/1982	Tillman	81/57.29
4,592,255	6/1986	Mayer	81/62
4,722,252	2/1988	Fulcher et al.	81/57.39
4,974,475	12/1990	Lord et al.	81/57.29
5,603,247	2/1997	Wei	81/63
5,626,062	5/1997	Colvin	81/63.2
5,794,496	8/1998	Arnold	81/60

Primary Examiner—David A. Scherbel
Assistant Examiner—Lee Wilson
Attorney, Agent, or Firm—Michael I. Kroll

[57] **ABSTRACT**

A ratchet box wrench (10) comprising an elongate handle (12). A main housing (14) is at one end of the elongate handle (12). The main housing (14) has a circular cavity (16) therein with a seat (18) and a central aperture (20) there-through. A geared socket (22) has a central collar (24) with a multiple faced opening (26) extending therethrough. A structure (28) is for rotatably carrying the geared socket (22) within the circular cavity (16) on the seat (18), so that the central collar (24) will extend through the central aperture (20) in the main housing (14). A rotational adjustment lever (30) is on one end of the elongate handle (12) adjacent to the main housing (14) to reverse rotation of the geared socket (22), whereby the multiple faced opening (26) in the geared socket (22) will engage with a multiple faced object, which will be turned by movement of the elongate handle (12).

18 Claims, 5 Drawing Sheets



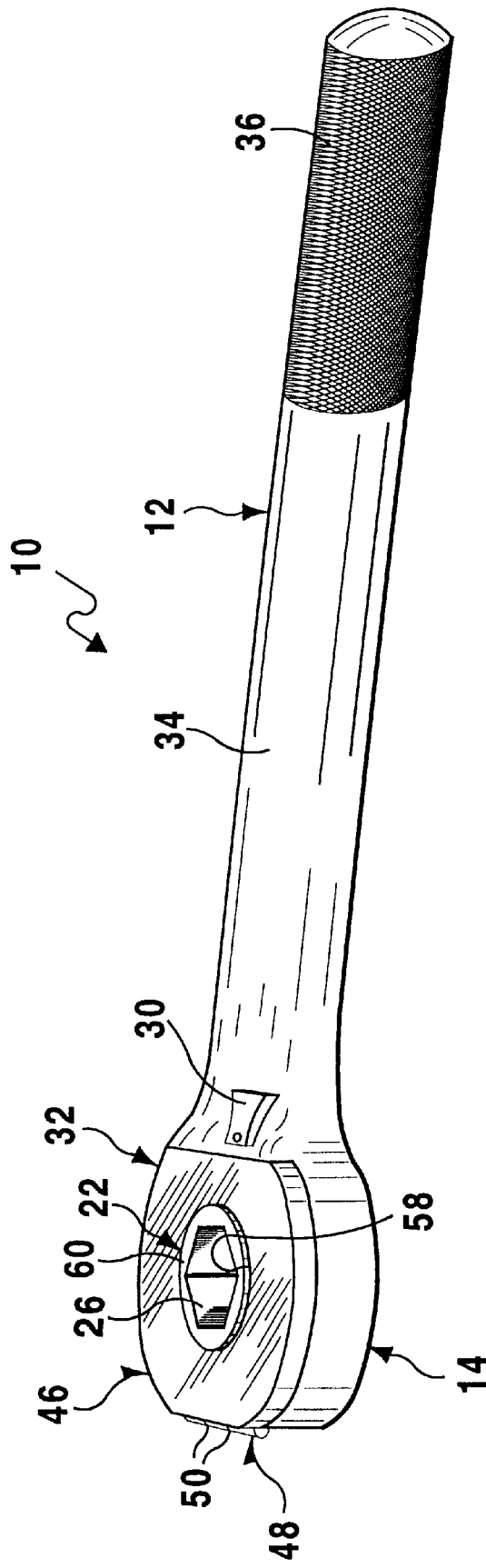


FIG 1

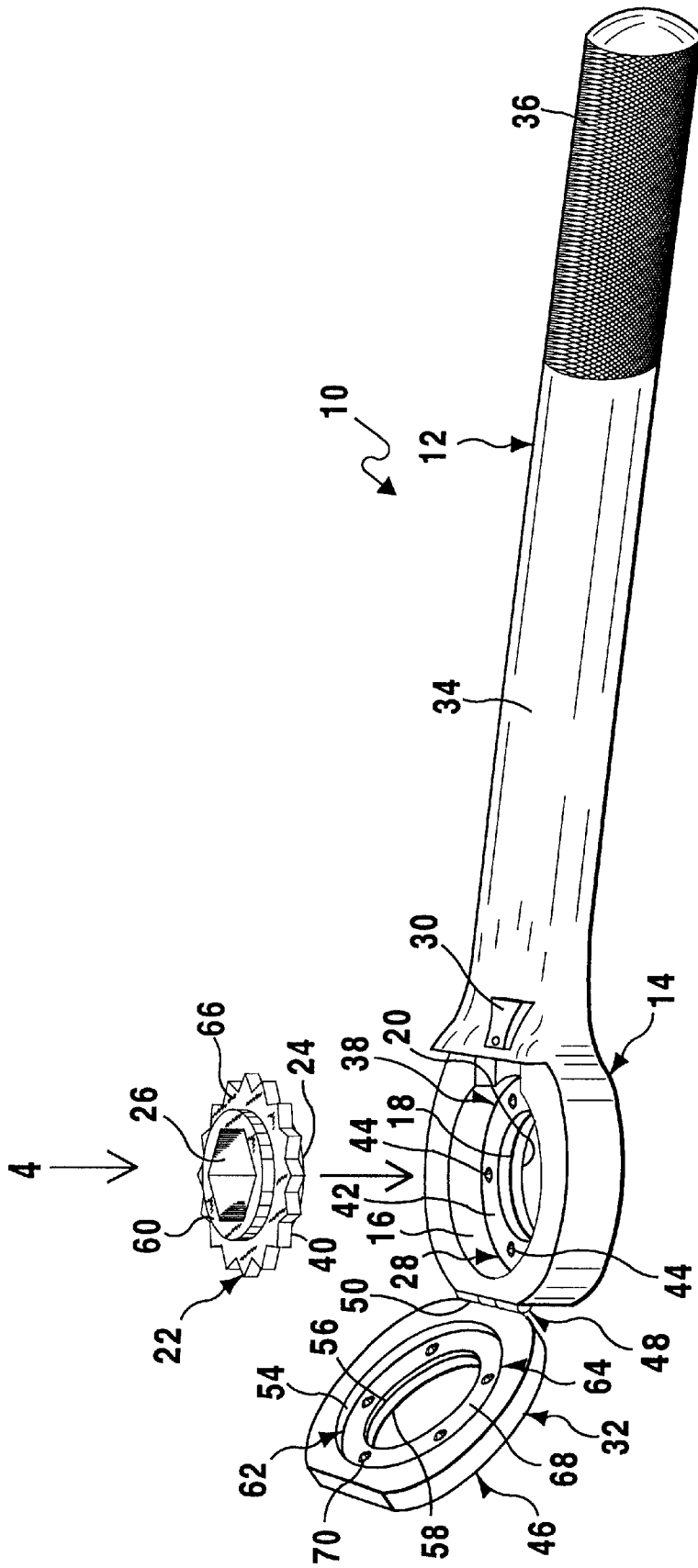


FIG 2

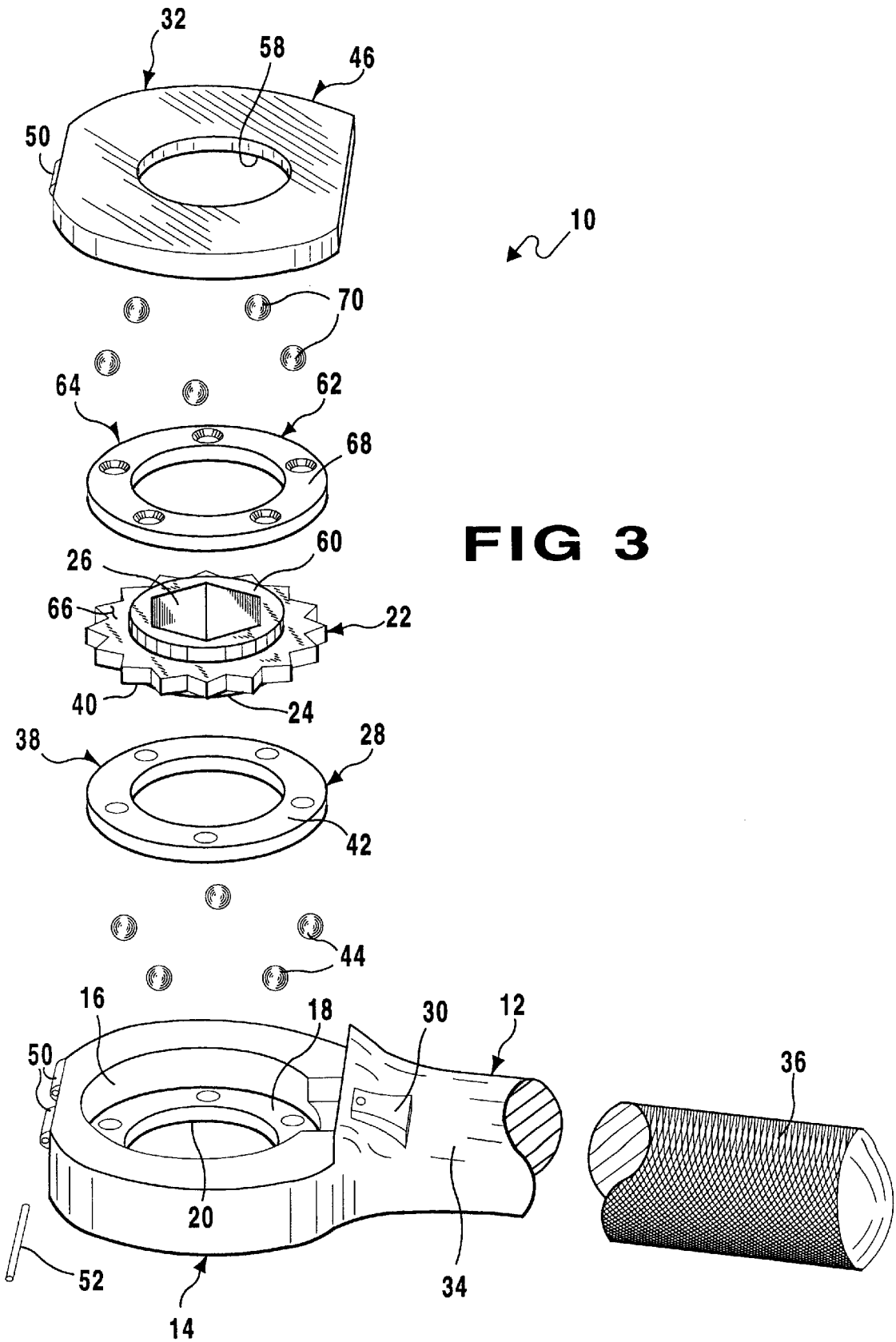


FIG 3

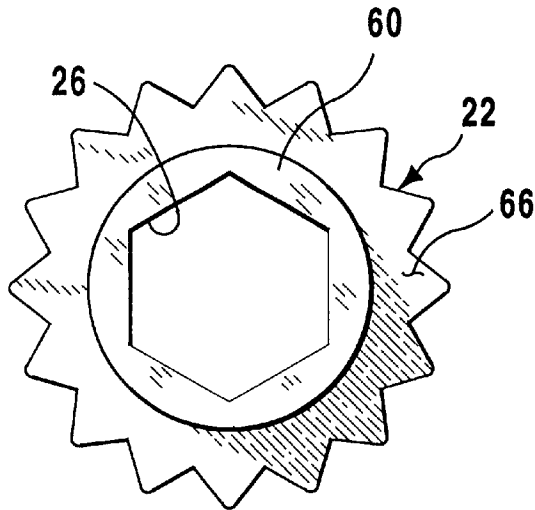


FIG 4

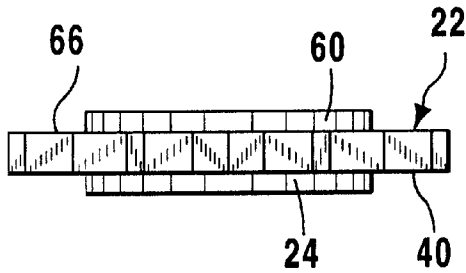


FIG 4A

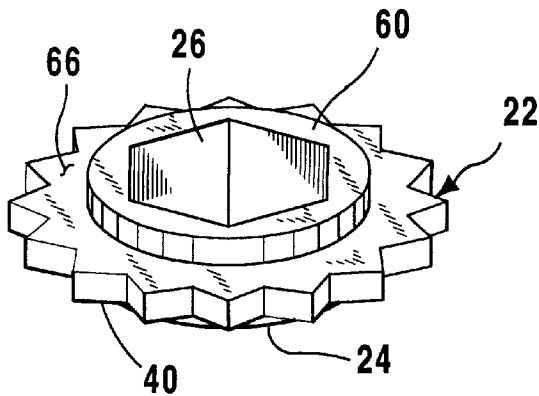


FIG 4B

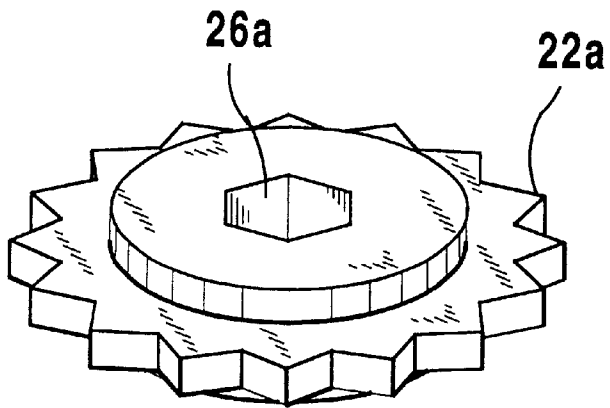


FIG 5

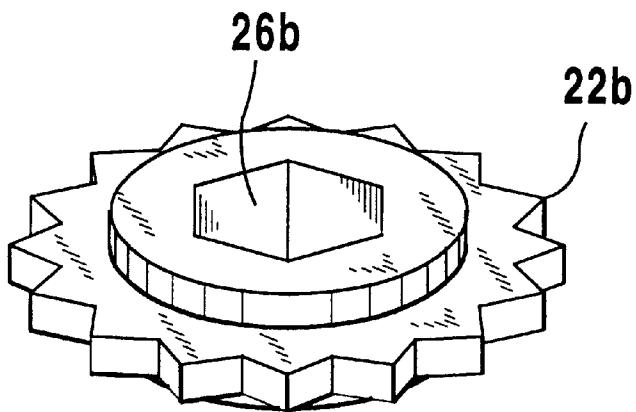


FIG 6

RATCHET BOX WRENCH**BACKGROUND OF THE INVENTION****1. Field of the Invention**

The instant invention relates generally to wrenches and more specifically it relates to a ratchet box wrench. The ratchet wrench contains a geared socket having a multiple faced opening, rotatably carried within a main housing at an end of a handle, so as to engage with a corresponding multiple faced object, such as a bolt head or nut. The geared socket is removable from the main housing, so that it can be replaced with another geared socket having a different multiple faced opening, to engage with a corresponding multiple faced object.

2. Description of the Prior Art

Numerous wrenches have been provided in prior art that are hand held tools for gripping, turning or twisting objects such as nuts, bolts or pipes. While these units may be suitable for the particular purpose to which they address, they would not be as suitable for the purposes of the present invention as heretofore described.

SUMMARY OF THE INVENTION

A primary object of the present invention is to provide a ratchet box wrench that will overcome the shortcomings of the prior art devices.

Another object is to provide a ratchet box wrench that contains a geared socket having a multiple faced opening, rotatably carried within a main housing at an end of a handle, so as to engage with a corresponding multiple faced object, such as a bolt head or nut.

An additional object is to provide a ratchet box wrench, in which the geared socket is removable from the main housing, so that it can be replaced with another geared socket having a different multiple faced opening, to engage with a corresponding multiple faced object.

A further object is to provide a ratchet box wrench that is simple and easy to use.

A still further object is to provide a ratchet box wrench that is economical in cost to manufacture.

Further objects of the invention will appear as the description proceeds.

To the accomplishment of the above and related objects, this invention may be embodied in the form illustrated in the accompanying drawings, attention being called to the fact, however, that the drawings are illustrative only, and that changes may be made in the specific construction illustrated and described within the scope of the appended claims.

BRIEF DESCRIPTION OF THE DRAWING FIGURES

Various other objects, features and attendant advantages of the present invention will become more fully appreciated as the same becomes better understood when considered in conjunction with the accompanying drawings, in which like reference characters designate the same or similar parts throughout the several views, and wherein;

FIG. 1 is a perspective view of the present invention.

FIG. 2 is a perspective view of the present invention with the cover plate opened and the geared socket ready to be inserted within the cavity of the main housing.

FIG. 3 is an exploded perspective view of the present invention, showing the various components thereof with the handle broken away.

FIG. 4 is an enlarged top plan view of the geared socket taken in the direction of arrow 4 in FIG. 2, having a large sized multiple faced opening therein.

FIG. 4A is a front elevational view of the geared socket taken in the direction of arrow 4A in FIG. 4.

FIG. 4B is a perspective view of the geared socket shown in FIG. 4.

FIG. 5 is a perspective view of a geared socket similar to FIG. 4B, having a small sized multiple faced opening therein.

FIG. 6 is a perspective view of a geared socket similar to FIG. 5, having a medium sized multiple faced opening therein.

Similar reference characters denote corresponding features consistently throughout the attached drawings.

DETAILED DESCRIPTION OF THE PREFERRED EMBODIMENTS

Turning now descriptively to the drawings, in which similar reference characters denote similar elements throughout the several views, FIGS. 1 through 3 illustrate the present invention being a ratchet box wrench. With regard to the reference numerals used, the following numbering is used throughout the various drawing figures.

- 10 ratchet box wrench
- 12 elongate handle of 10
- 14 main housing of 10
- 16 circular cavity in 14
- 18 seat of 16
- 20 central aperture in 14
- 22 geared socket of 10
- 22a geared socket of 10
- 22b geared socket of 10
- first central collar of 22
- large sized multiple faced opening in 22
- 26a small sized multiple faced opening in 22a
- 26b medium sized multiple faced opening in 22b
- 28 first rotatable carrying structure of 10
- 30 rotational adjustment lever of 10
- 32 removal allowing assembly of 10
- 34 cylindrical member for 12
- 36 knurled surface on 34
- 38 first ball bearing raceway for 28
- 40 bottom surface of 22
- 42 first bearing retainer ring of 38
- 44 ball of 38
- 46 cover plate of 32
- 48 hinge of 32 between 46 and 14
- 50 barrel of 48
- 52 pivot pin of 48
- 54 circular cavity in 46
- 56 seat of 54
- 58 central aperture in 46
- 60 second central collar of 22
- 62 second rotatable carrying structure of 10
- 64 second ball bearing raceway for 62
- 66 top surface of 22
- 68 second bearing retainer ring of 64
- 70 ball of 64

The ratchet box wrench **10** comprises an elongate handle **12**. A main housing **14** is at one end of the elongate handle **12**. The main housing **14** has a circular cavity **16** therein with a seat **18** and a central aperture **20** therethrough. A geared socket **22** has a central collar **24** with a multiple faced opening **26** extending therethrough (see FIGS. **4**, **4A** and **4B**). The multiple faced opening **26** in the geared socket **22** is large sized.

The structure **28** is for rotatably carrying the geared socket **22** within the circular cavity **16** on the seat **18**, so that the central collar **24** will extend through the central aperture **20** in the main housing **14**. A rotational adjustment lever **30** is on one end of the elongate handle **12** adjacent to the main housing **14** to reverse rotation of the geared socket **22**, whereby the multiple faced opening **26** in the geared socket **22** will engage with a multiple faced object (not shown), such as a bolt head or nut, which will be turned by movement of the elongate handle **12**.

An assembly **32** is for allowing the geared socket **22** to be removed from the circular cavity **16** of the main housing so that it can be replaced with another geared socket **22a**, **22b**, having a different multiple faced opening **26a**, **26b** therethrough, to engage with a corresponding multiple faced object (see FIGS. **5** and **6**). The multiple faced opening **26a** in the geared socket **22a** in FIG. **5** is small sized, while the multiple faced opening **26b** in the geared socket **22b** in FIG. **6** is medium sized.

The elongate handle **12** is a cylindrical member **34** having a knurled surface **36** at an opposite end from the main housing **14**, so as to aid in gripping the cylindrical member **34** by a hand of a person. The main housing **14** is integral with the elongate handle **12**. The multiple faced opening **26** in the geared socket **22** can be a hexagonal cavity to engage with a hexagonal object. Other polygonal cavities can also be incorporated in the geared socket **22**, as the multiple faced opening **26**.

The rotatable carrying structure **28** includes a ball bearing raceway **38** press fitted onto the seat **18** of the circular cavity **16** in the main housing **14**, so that a bottom surface **40** of the geared socket **22** about the central collar **24** can rotate there against. The ball bearing raceway **38** consists of a bearing retainer ring **42** and a plurality of balls **44** rotatably mounted through the bearing retainer ring **42**.

The removal allowing assembly **32** includes a cover plate **46** and a hinge **48** between one side of the cover plate **46** and the main housing **14** opposite from the elongate handle **12**. When the cover plate **46** is opened, the geared socket **22** can be removed therefrom. The hinge **48** contains a plurality of barrels **50**. At least one barrel **50** is connected to the cover plate **46**, while at least two barrels **50** are connected to the main housing **14** between the at least one barrel **50** on the cover plate **46**. A pivot pin **52** extends through the barrels **50**, to allow the cover plate **46** to pivot away from the main housing **14**.

The cover plate **46** has a circular cavity **54** on the bottom with a seat **56** and a central aperture **58** therethrough. The geared socket **22** has a second central collar **60** with the multiple faced opening **26** extending therethrough. A second structure **62** is for rotatably carrying the geared socket **22** within the circular cavity **54** on the seat **56** below the cover plate **46** when closed. The second central collar **60** will extend through the central aperture **58** in the cover plate **46**, whereby the multiple faced opening **26** in the geared socket **22** can engage with the multiple faced object from either side of the geared socket **22**.

The second rotatable carrying structure **62** includes a second ball bearing raceway **64** press fitted onto the seat **56**

of the circular cavity **54** in the cover plate **46**, so that a top surface **66** of the geared socket **22** about the second central collar **60** can rotate there against. The second ball bearing raceway **64** consists of a second bearing retainer ring **68** and a plurality of balls **70** rotatably mounted through the second bearing retainer ring **68**.

It will be understood that each of the elements described above, or two or more together may also find a useful application in other types of methods differing from the type described above.

While certain novel features of this invention have been shown and described are pointed out in the annexed claims, it is not intended to be limited to the details above, since it will be understood that various omissions, modifications, substitutions and changes in the forms and details of the device illustrated and in its operation can be made by those skilled in the art without departing in any way from the spirit of the present invention.

Without further analysis, the foregoing will so fully reveal the gist of the present invention that others can, by applying current knowledge, readily adapt it for various applications without omitting features that, from the standpoint of prior art, fairly constitute essential characteristics of the generic or specific aspects of this invention.

What is claimed is new and desired to be protected by Letters Patent is set forth in the appended claims:

1. A ratchet box wrench comprising:

- a) an elongate handle;
- b) a main housing at one end of said elongate handle, said main housing having a circular cavity therein with a seat and a central aperture therethrough,
- c) a geared socket having a central collar with a multiple faced opening extending therethrough;
- d) means for rotatably carrying said geared socket within the circular cavity on the seat, so that the central collar will extend through the central aperture in said main housing; and
- e) a rotational adjustment lever on one end of said elongate handle adjacent to said main housing to reverse rotation of said geared socket, whereby the multiple faced opening in said geared socket will engage with a multiple faced object, which will be turned by movement of said elongate handle, said ratchet box further comprising:
- f) means for allowing said geared socket to be removed from the circular cavity of said main housing, so that it can be replaced with another geared socket having a different multiple faced opening therethrough to engage with a corresponding multiple faced object, said allowing means including:
 - i) a cover plate; and
 - ii) a hinge between one side of said cover plate and said main housing opposite from said elongate handle, so that when said cover plate is opened said geared socket can be removed therefrom.

2. A ratchet box wrench as recited in claim 1, wherein said hinge includes:

- a) a plurality of barrels, in which at least one said barrel is connected to said cover plate, while at least two said barrels are connected to said main housing between said at least one said barrel on said cover plate; and
- b) a pivot pin which extends through said barrels, to allow said cover plate to pivot away from said main housing.

3. A ratchet box wrench as recited in claim 1, further including:

- a) said cover plate having a circular cavity on the bottom with a seat and a central aperture therethrough;

5

- b) said geared socket having a second central collar with the multiple faced opening extending therethrough; and
 - c) means for rotatably carrying said geared socket within the circular cavity on the seat below said cover plate when closed, so that the second central collar will extend through the central aperture in said cover plate, whereby the multiple faced opening in said geared socket can engage with the multiple faced object from either side of said geared socket.
4. A ratchet box wrench as recited in claim 3, wherein said second rotatably carrying means includes a second ball bearing raceway press fitted onto the seat of the circular cavity 54 in said cover plate and a top surface of said geared socket about the second central collar can rotate there against.
5. A ratchet box wrench as recited in claim 4, wherein said second ball bearing raceway includes:
- a) a second bearing retainer ring; and
 - b) a plurality of balls rotatably mounted through said second bearing retainer ring.
6. A ratchet box wrench as recited in claim 1, wherein said elongate handle is a cylindrical member having a knurled surface at an opposite end from said main housing, so as to aid in gripping said cylindrical member by a hand of a person.
7. A ratchet box wrench as recited in claim 6, wherein said main housing is integral with said elongate handle.
8. A ratchet box wrench as recited in claim 7, wherein the multiple faced opening in said geared socket is a hexagonal cavity to engage with a hexagonal object.
9. A ratchet box wrench as recited in claim 8, wherein said rotatable carrying means includes a ball bearing raceway press fitted onto the seat of the circular cavity in said main housing, so that a bottom surface of said geared socket about the central collar can rotate there against.
10. A ratchet box wrench as recited in claim 9, wherein said ball bearing raceway includes:
- a) a bearing retainer ring; and
 - b) a plurality of balls rotatably mounted through said bearing retainer ring.
11. A ratchet box wrench as recited in claim 10, wherein said hinge includes:
- a) a plurality of barrels, in which at least one said barrel is connected to said cover plate, while at least two said

6

- barrels are connected to said main housing between said at least one said barrel on said cover plate; and
 - b) a pivot pin which extends through said barrels, to allow said cover plate to pivot away from said main housing.
12. A ratchet box wrench as recited in claim 11, further including:
- a) said cover plate having a circular cavity on the bottom with a seat and a central aperture therethrough;
 - b) said geared socket having a second central collar with the multiple faced opening extending therethrough; and
 - c) means for rotatably carrying said geared socket within the circular cavity on the seat below said cover plate when closed, so that the second central collar will extend through the central aperture in said cover plate, whereby the multiple faced opening in said geared socket can engage with the multiple faced object from either side of said geared socket.
13. A ratchet box wrench as recited in claim 12, wherein said second rotatably carrying means includes a second ball bearing raceway press fitted onto the seat of the circular cavity 54 in said cover plate and a top surface of said geared socket about the second central collar can rotate there against.
14. A ratchet box wrench as recited in claim 13, wherein said second ball bearing raceway includes:
- a) a second bearing retainer ring; and
 - b) a plurality of balls rotatably mounted through said second bearing retainer ring.
15. A ratchet box wrench as recited in claim 1, wherein said main housing is integral with said elongate handle.
16. A ratchet box wrench as recited in claim 1, wherein the multiple faced opening in said geared socket is a hexagonal cavity to engage with a hexagonal object.
17. A ratchet box wrench as recited in claim 1, wherein said rotatable carrying means includes a ball bearing raceway press fitted onto the seat of the circular cavity in said main housing, so that a bottom surface of said geared socket about the central collar can rotate there against.
18. A ratchet box wrench as recited in claim 17, wherein said ball bearing raceway includes:
- a) a bearing retainer ring; and
 - b) a plurality of balls rotatably mounted through said bearing retainer ring.

* * * * *