



US006056174A

United States Patent [19]
Minckler

[11] **Patent Number:** **6,056,174**
[45] **Date of Patent:** **May 2, 2000**

[54] **COMPACT DISC PLAYER HOLSTER**

Primary Examiner—Linda J. Sholl
Attorney, Agent, or Firm—Michael I. Kroll

[76] Inventor: **Andrew R Minckler**, P.O. Box 156,
Ellenburg Depot, N.Y. 12935

[57] **ABSTRACT**

[21] Appl. No.: **09/136,152**

The present invention **10** discloses an apparatus whereby whereby an individual **12** is able to conveniently carry a compact disc player **14** within the holster **16** of the present invention made from strap material which forms the various sides and layers of the present invention **10**. Disclosed is a length of hook and loop material **18** attached to the ends of the frontal closure straps **20** of the compact disc player carrying case **10** and the compact disc player carrying case having securing means in the form of a loop **22** wherein the compact disc player carrying case can be attached to a belt **24** located around the waist of an individual. The strap **26** forms the bottom of the holster **16** and is attached to the loop **22** for being secured to a belt **24**. Additional embodiments provide a compartment **40** within which additional compact discs **42** are stored and also a hood **44** is provided to protect the compact disc player **14** from the weather.

[22] Filed: **Aug. 18, 1998**

[51] **Int. Cl.**⁷ **A45F 3/14**

[52] **U.S. Cl.** **224/250; 224/674; 224/901.4; 224/901.8; 224/930; 150/154**

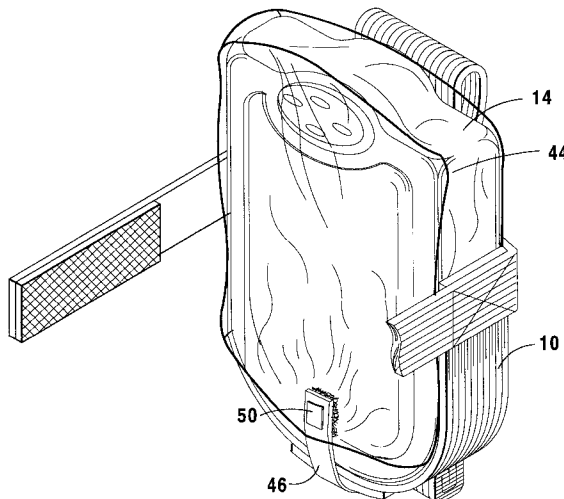
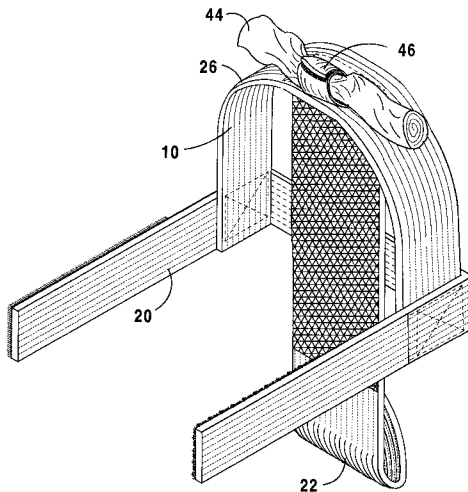
[58] **Field of Search** **224/930, 250, 224/674, 675, 901.4, 901.8; 150/162, 154; D3/228, 229, 218, 204, 221, 224**

[56] **References Cited**

U.S. PATENT DOCUMENTS

D. 407,896	4/1999	Y'shua et al.	D3/228
4,057,757	11/1977	Darden, Jr.	224/901.4
5,439,153	8/1995	Murdoch et al.	224/153
5,806,730	9/1998	Deno	224/250

6 Claims, 11 Drawing Sheets



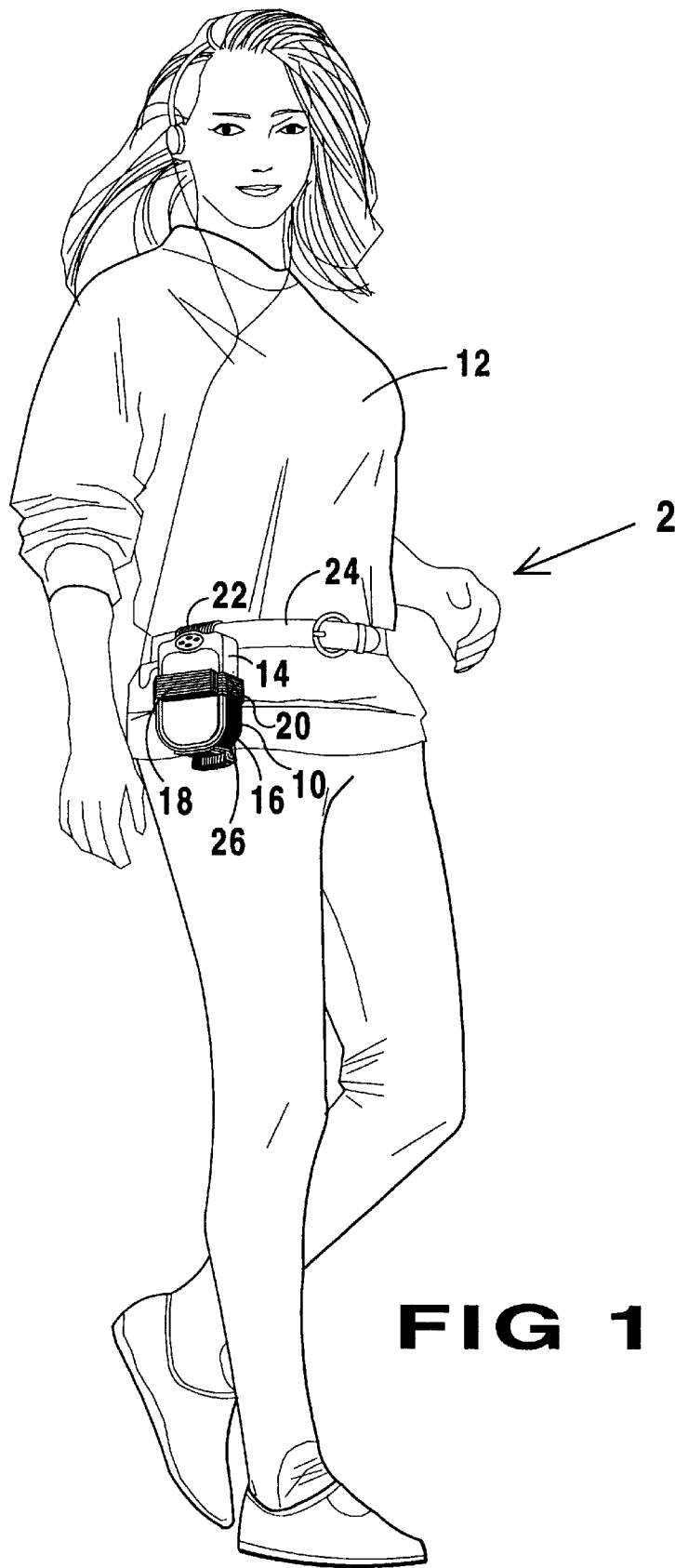
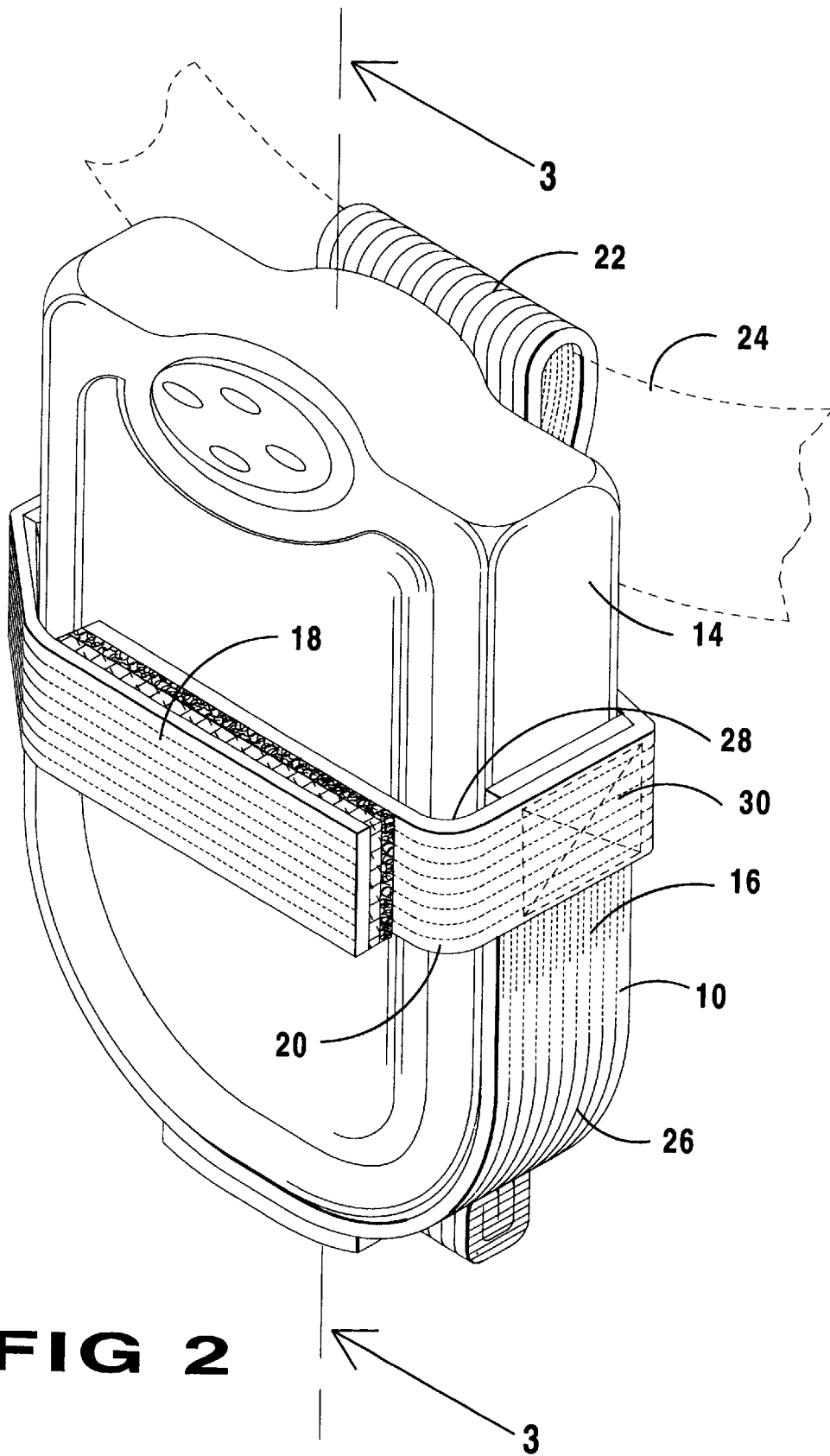


FIG 1



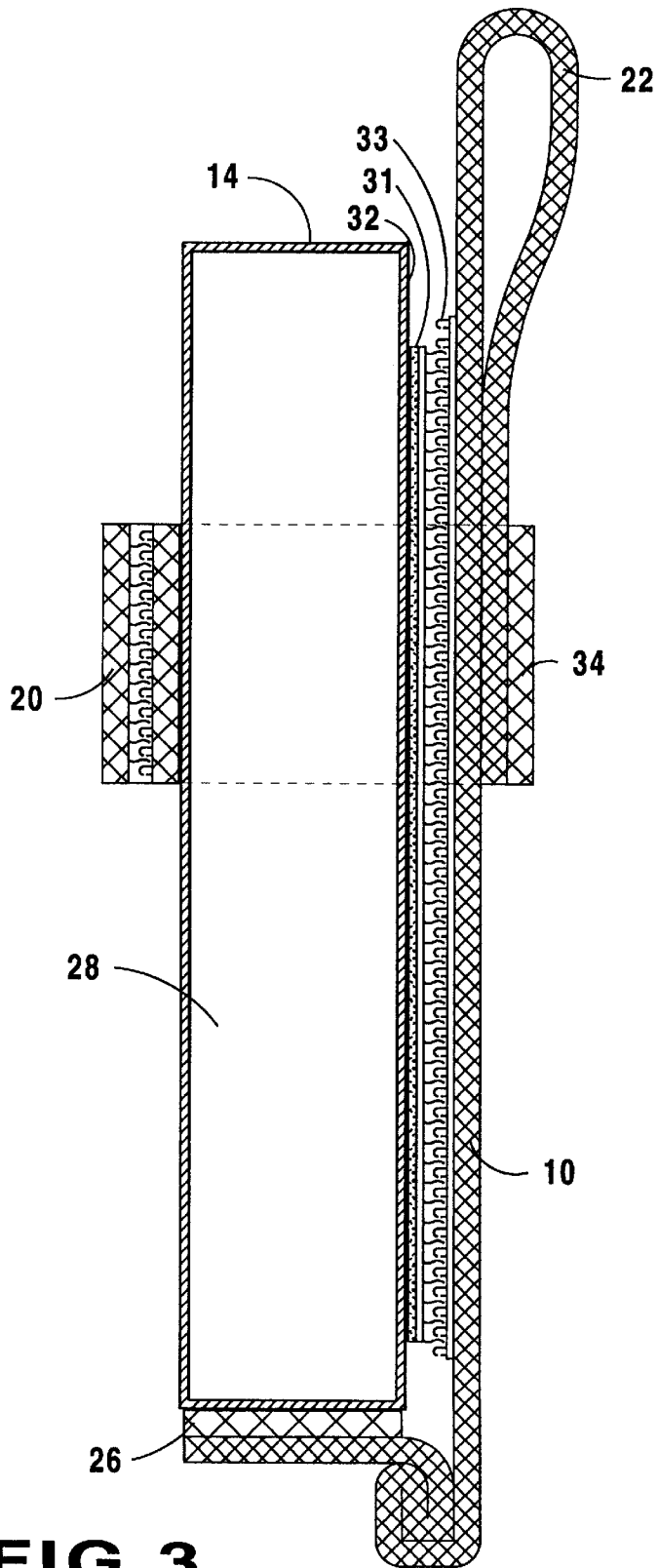


FIG 3

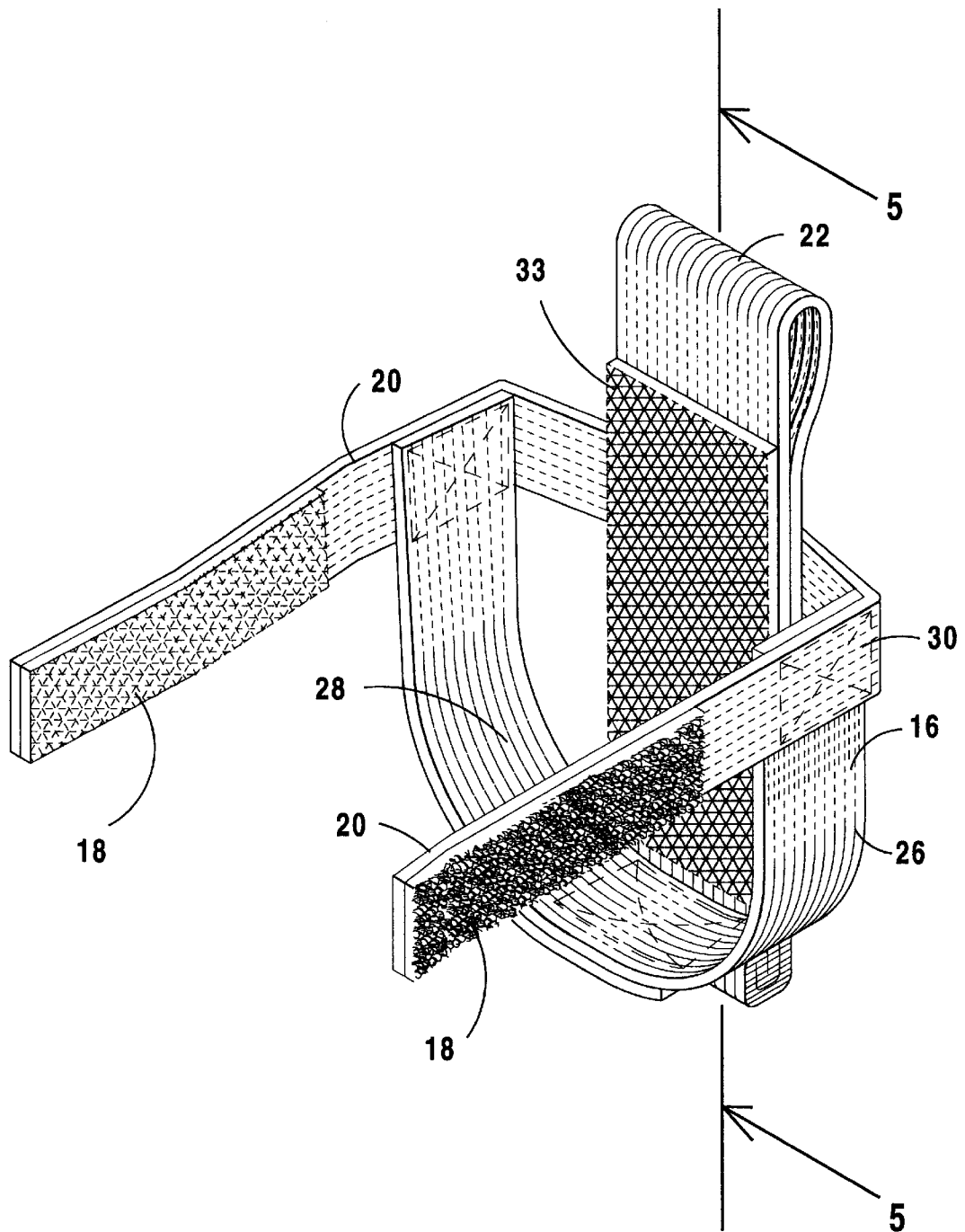


FIG 4

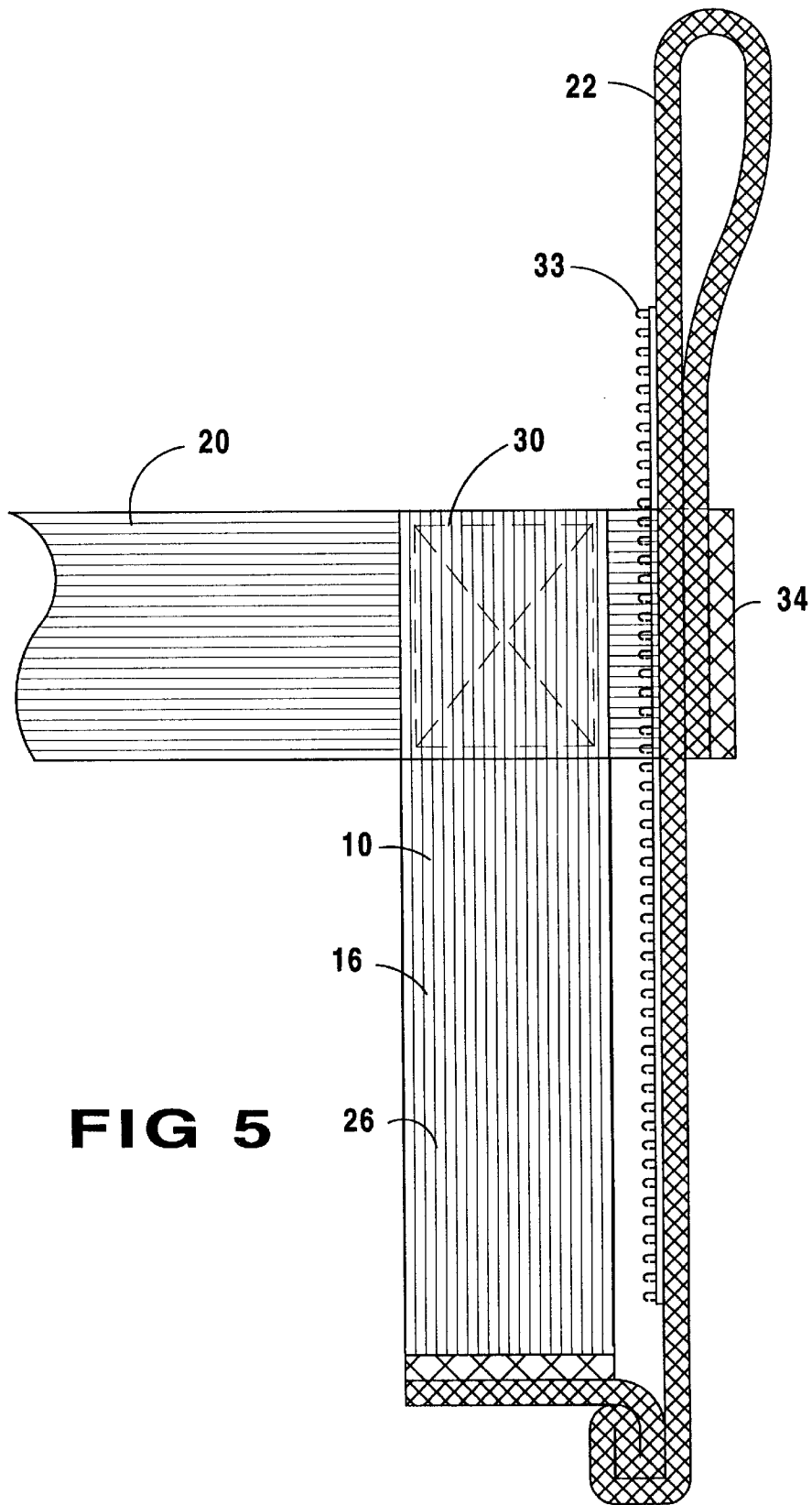


FIG 5

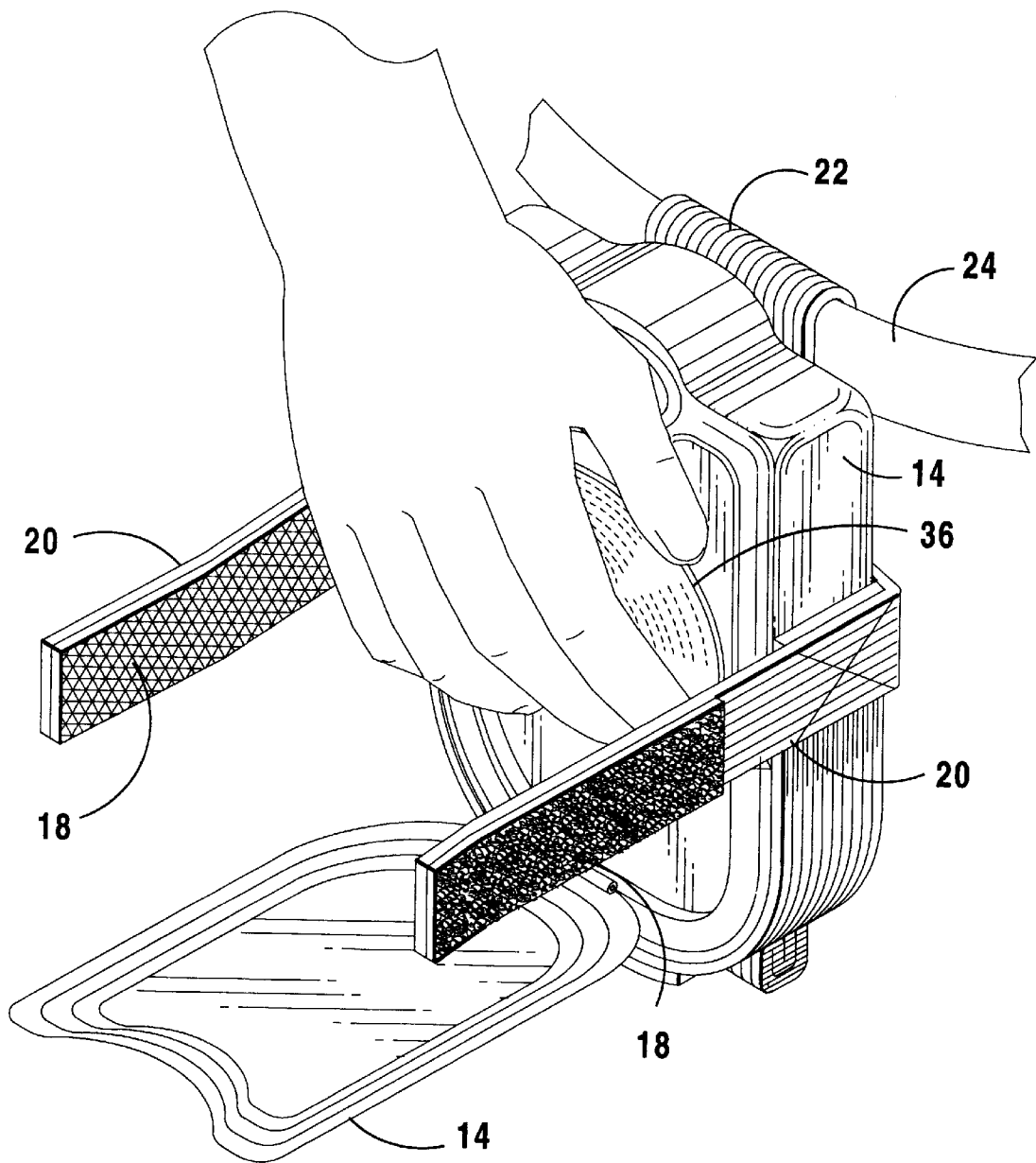


FIG 6

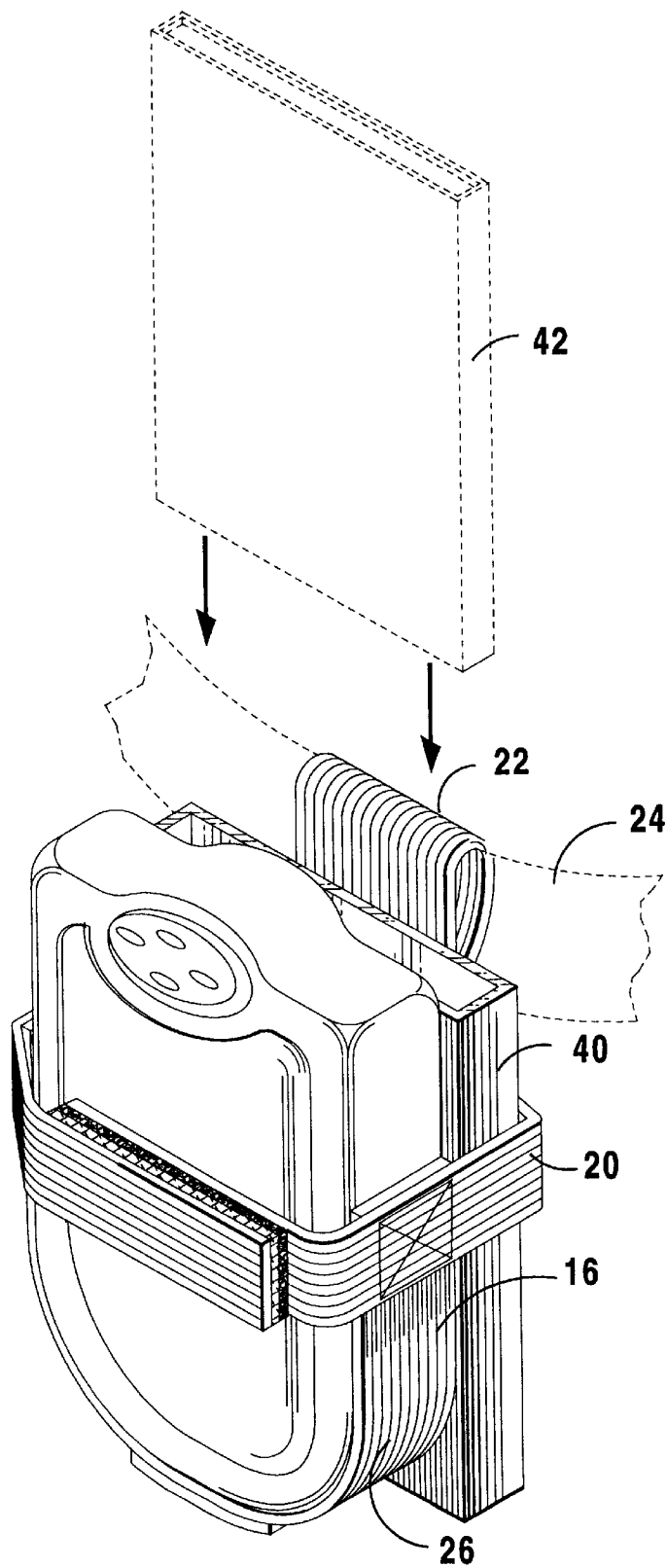


FIG 7