



US006119296A

United States Patent [19]

[11] **Patent Number:** **6,119,296**

Noe et al.

[45] **Date of Patent:** **Sep. 19, 2000**

[54] **ALL-SIDED MOUTHBRUSH**

Attorney, Agent, or Firm—Michael I Kroll

[76] Inventors: **Dennis Noe; Chris Sold**, both of 1750 Kalakaua Ave., Suite 1907, Honolulu, Hi. 98626

[57] **ABSTRACT**

[21] Appl. No.: **09/211,124**

[22] Filed: **Dec. 14, 1998**

[51] **Int. Cl.⁷** **A46B 9/04**

[52] **U.S. Cl.** **15/104.94; 15/111; 15/167.1; 15/176.6**

[58] **Field of Search** 15/106, 110, 111, 15/167.1, 176.1, 176.6, 109.94; D4/104, 106, 108

An all-sided mouthbrush for cleaning a mouth of a user. The all-sided mouthbrush includes a handle including a first end having first and second sides, bristles extending from the first side, and an alternate cleaning device connected to the second side, wherein the bristles clean teeth of the user and the alternate cleaning device cleans a tongue and inner side of the mouth of the user. The alternate cleaning device may be in the form of one of a plurality of parallel ridges, a plurality of columns of tuft-shaped bristles, a plurality of spade headed bristles, a scouring pad-like surface or a plurality of off set rows of bristle-like structures made of soluble crystals for scraping the tongue and inner side of the mouth of the user. A plurality of templates each including a respective alternate cleaning surface and a connecting device for connecting one of the plurality of templates to the second side covering said alternate cleaning device may be attached to the all-sided mouthbrush. A resealable packet is provided for each of the templates and for receiving the first end of the handle when not in use for protecting the templates and handle from dirt and germs. A mouth freshening liquid is provided within the pouches for further protecting the templates and handle and provide additional freshening for the mouth of the user.

[56] **References Cited**

U.S. PATENT DOCUMENTS

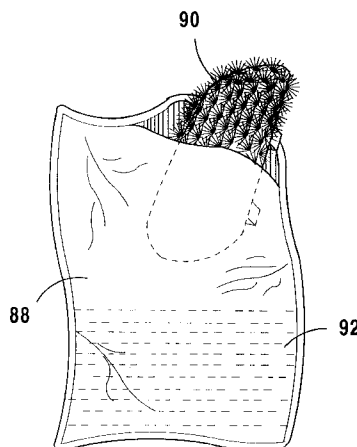
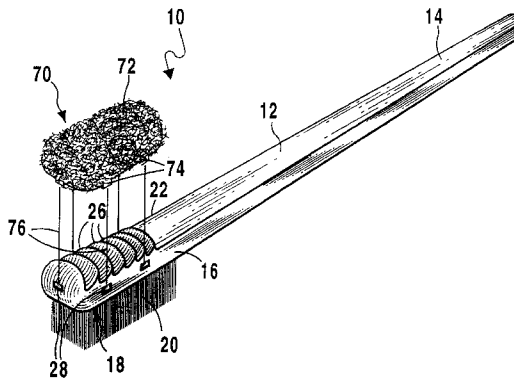
1,125,532	1/1915	Himmel	15/110
3,337,893	8/1967	Fine et al.	15/167.1
4,167,794	9/1979	Pomeroy	15/167.1
5,005,246	4/1991	Yen-Hui	15/176.1
5,224,234	7/1993	Aesenault et al.	15/176.1

FOREIGN PATENT DOCUMENTS

1708283	1/1992	U.S.S.R.	15/167.1
---------	--------	----------	----------

Primary Examiner—Terrence R. Till

14 Claims, 12 Drawing Sheets



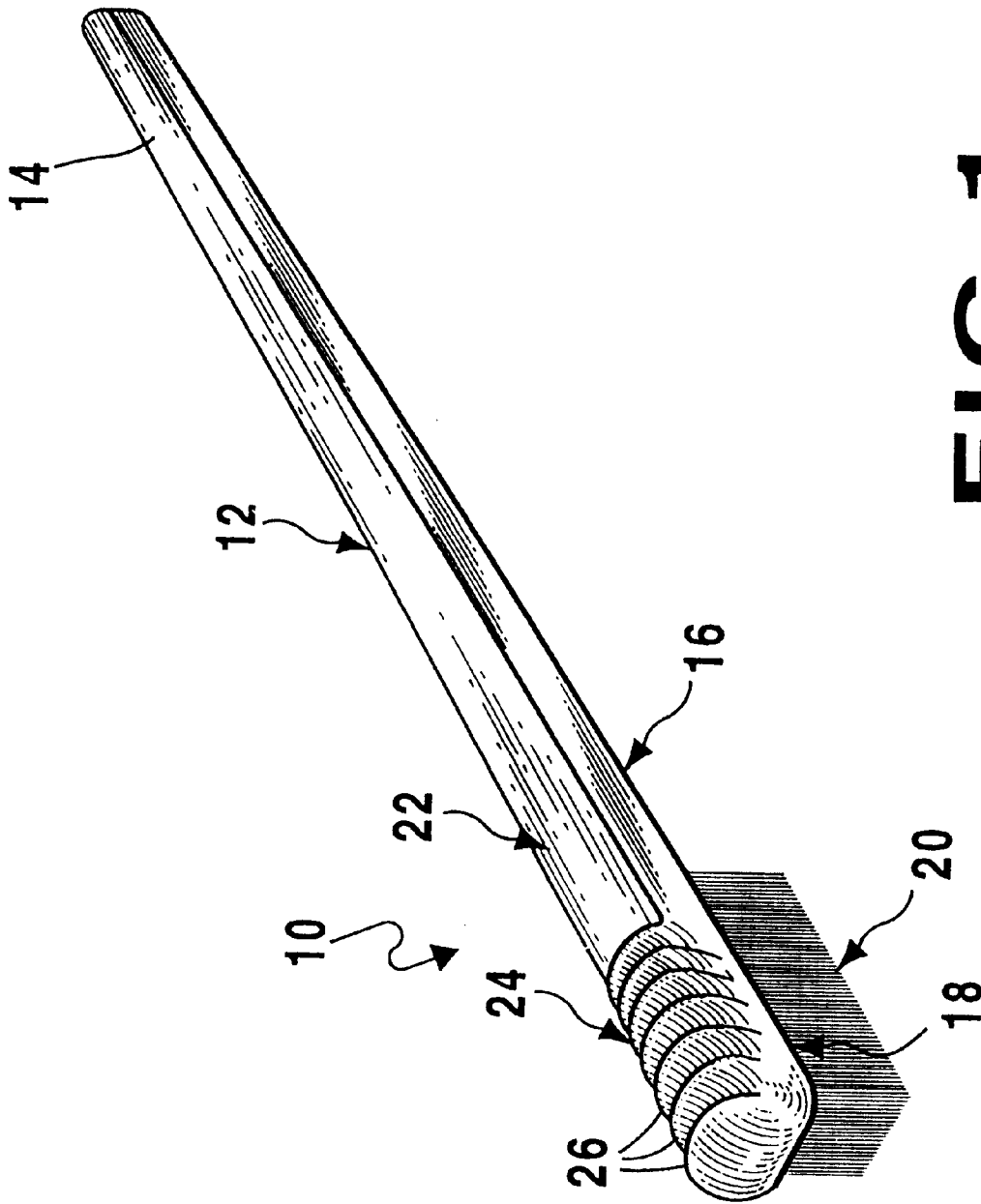


FIG 1

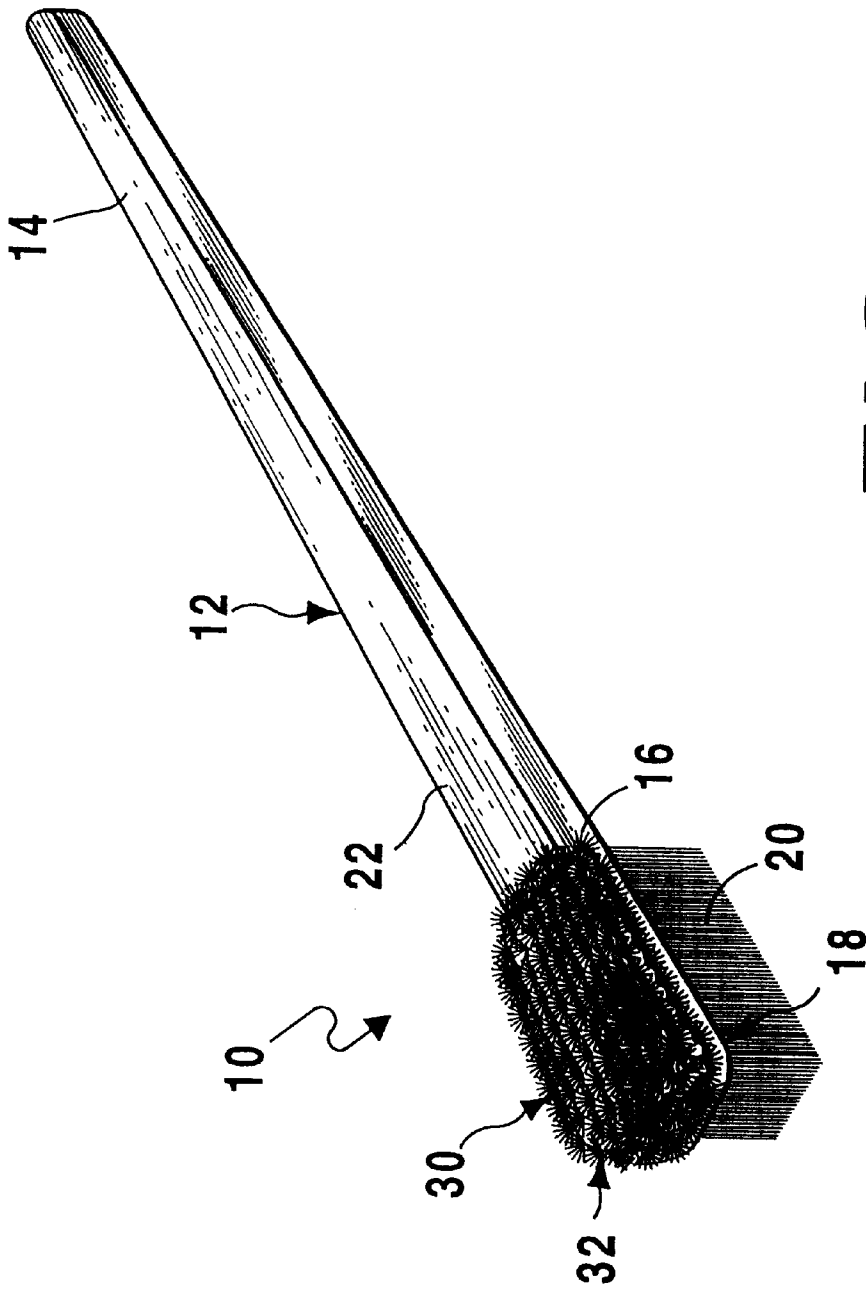


FIG 2

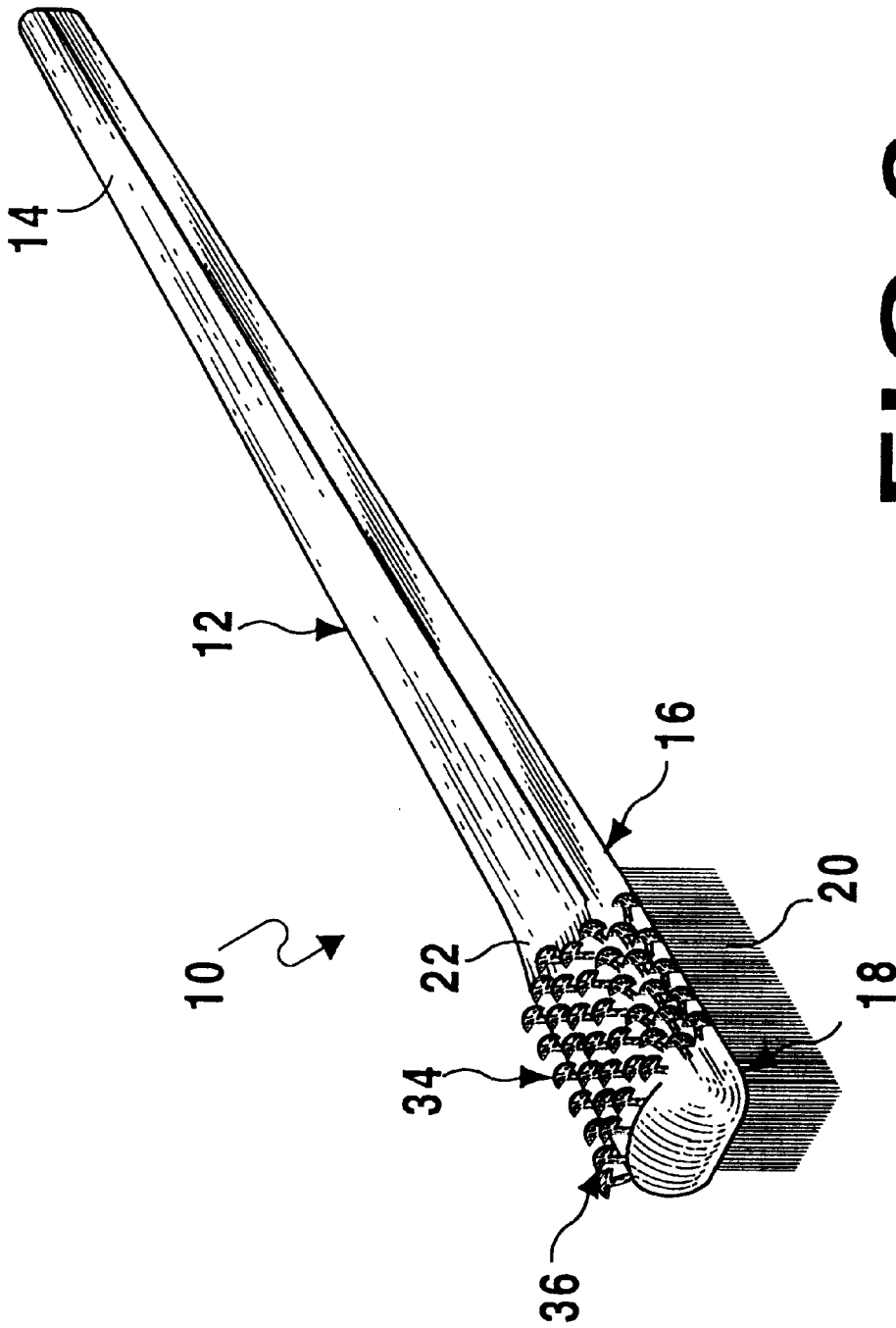


FIG 3

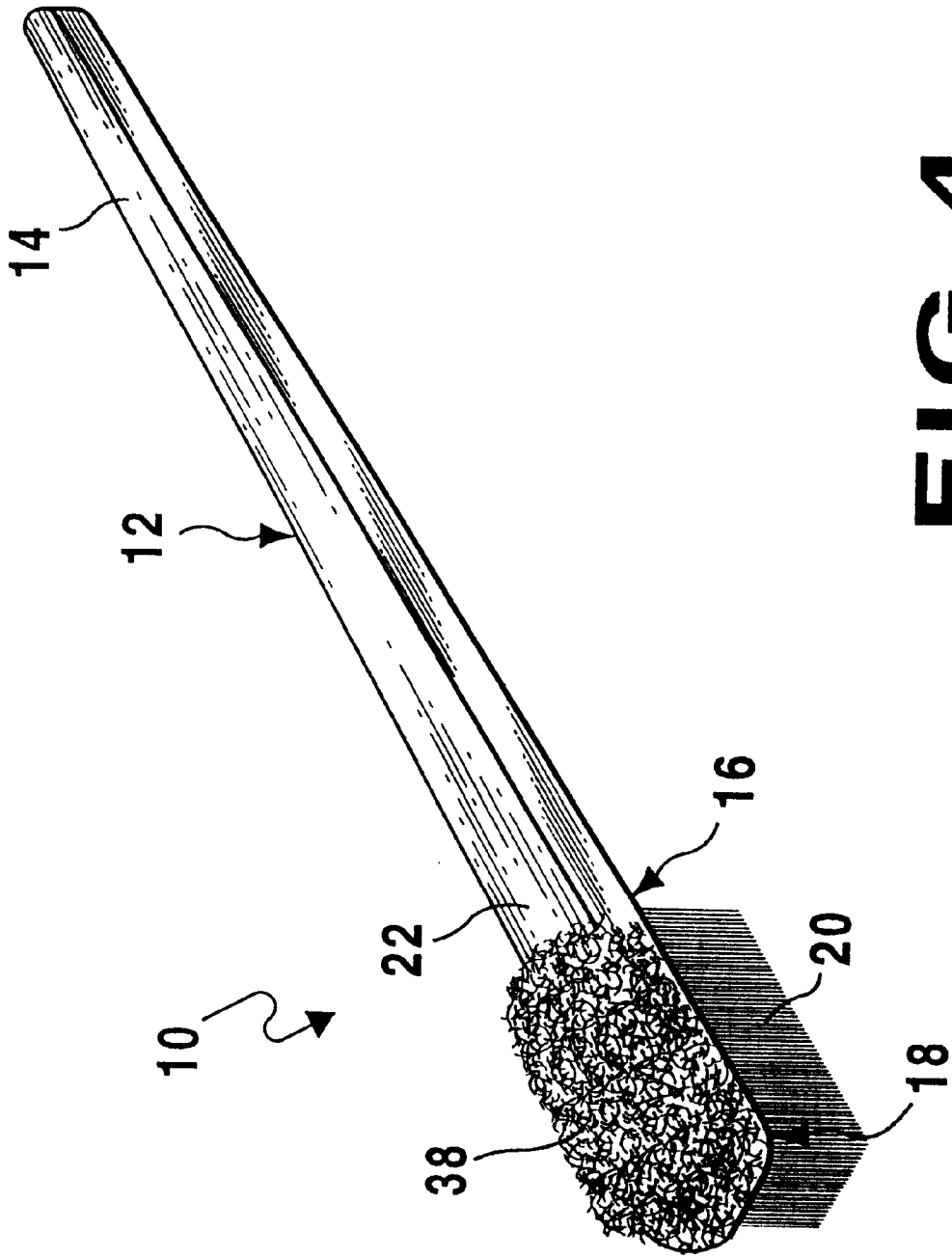


FIG 4

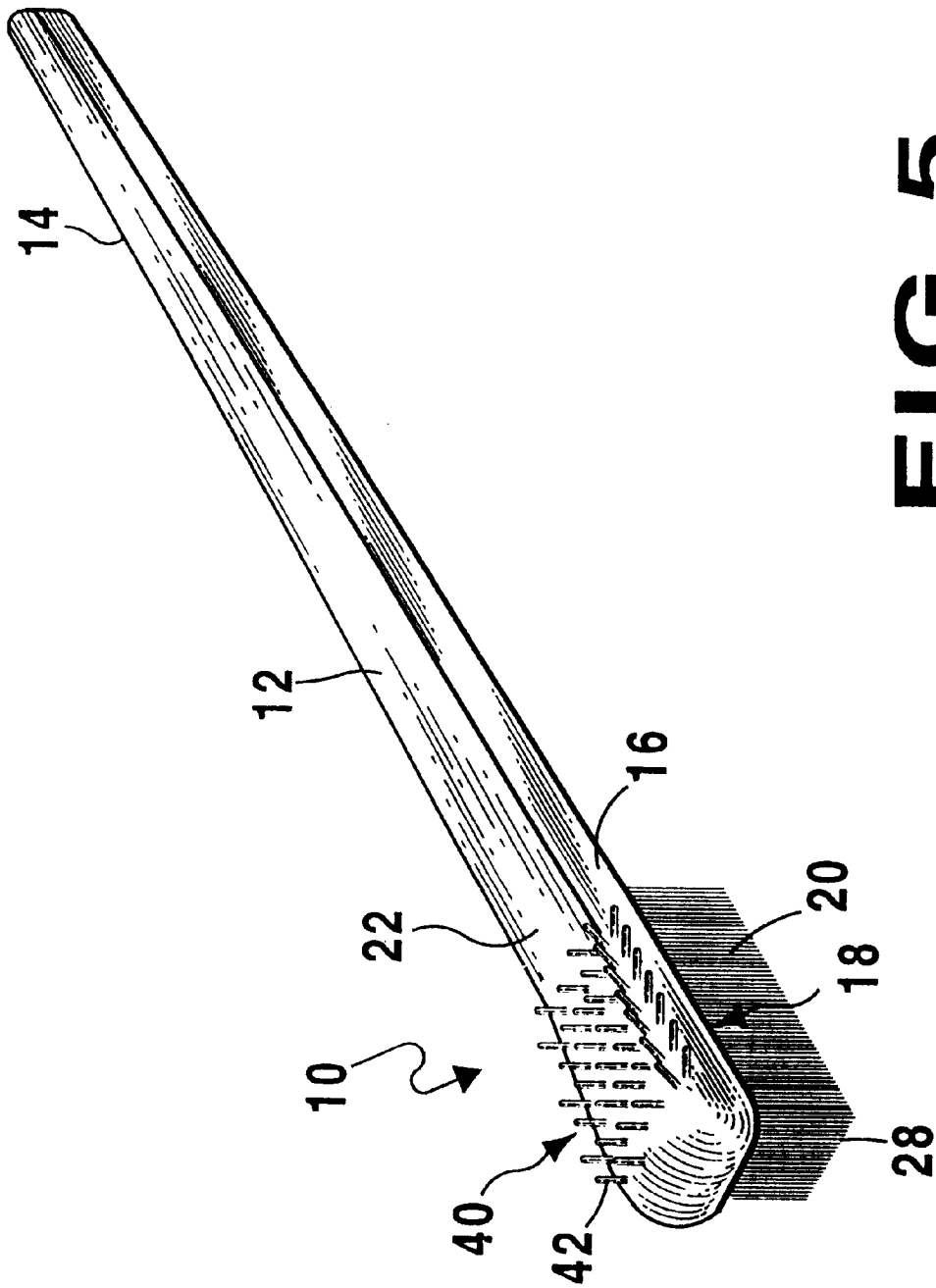


FIG 5

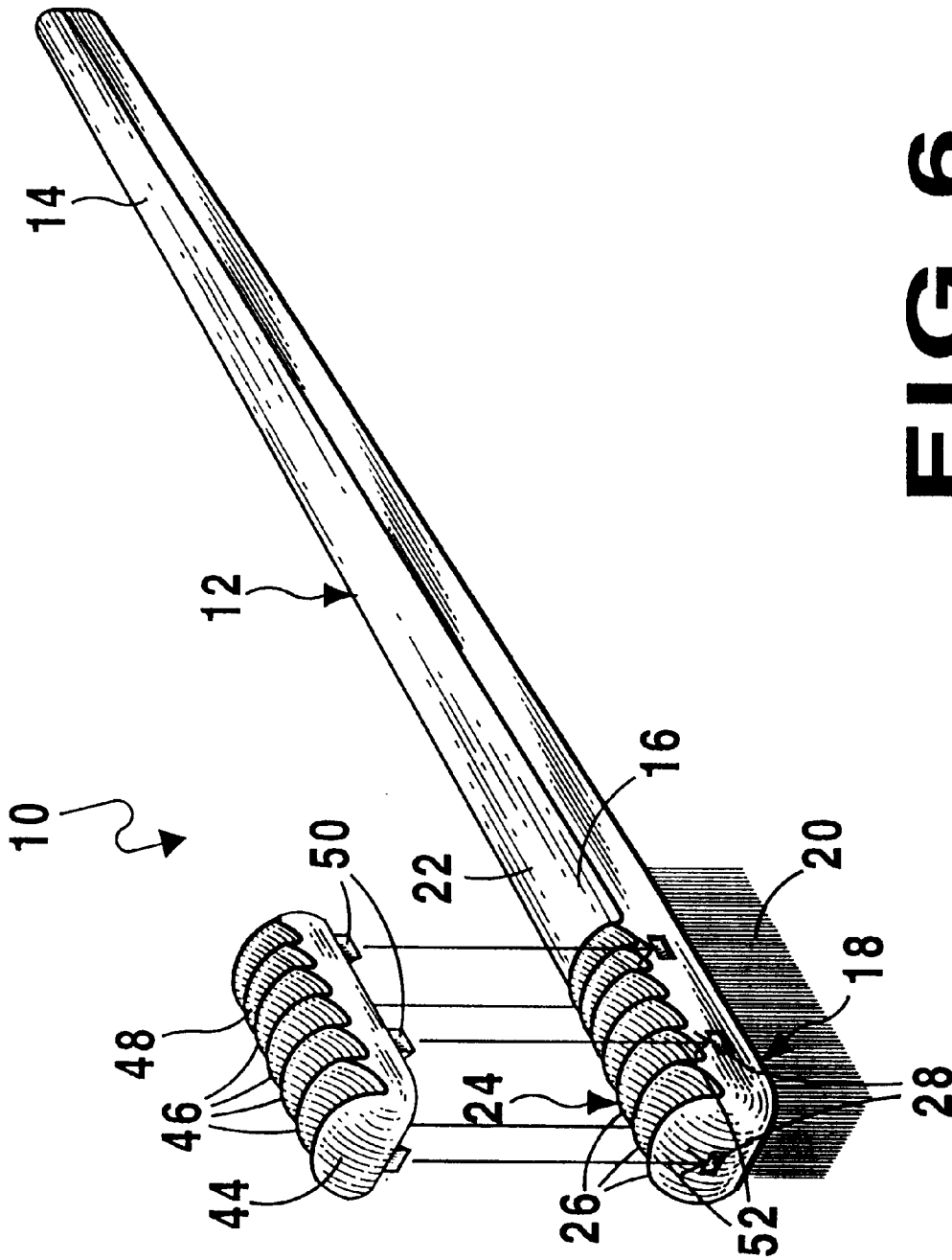


FIG 6

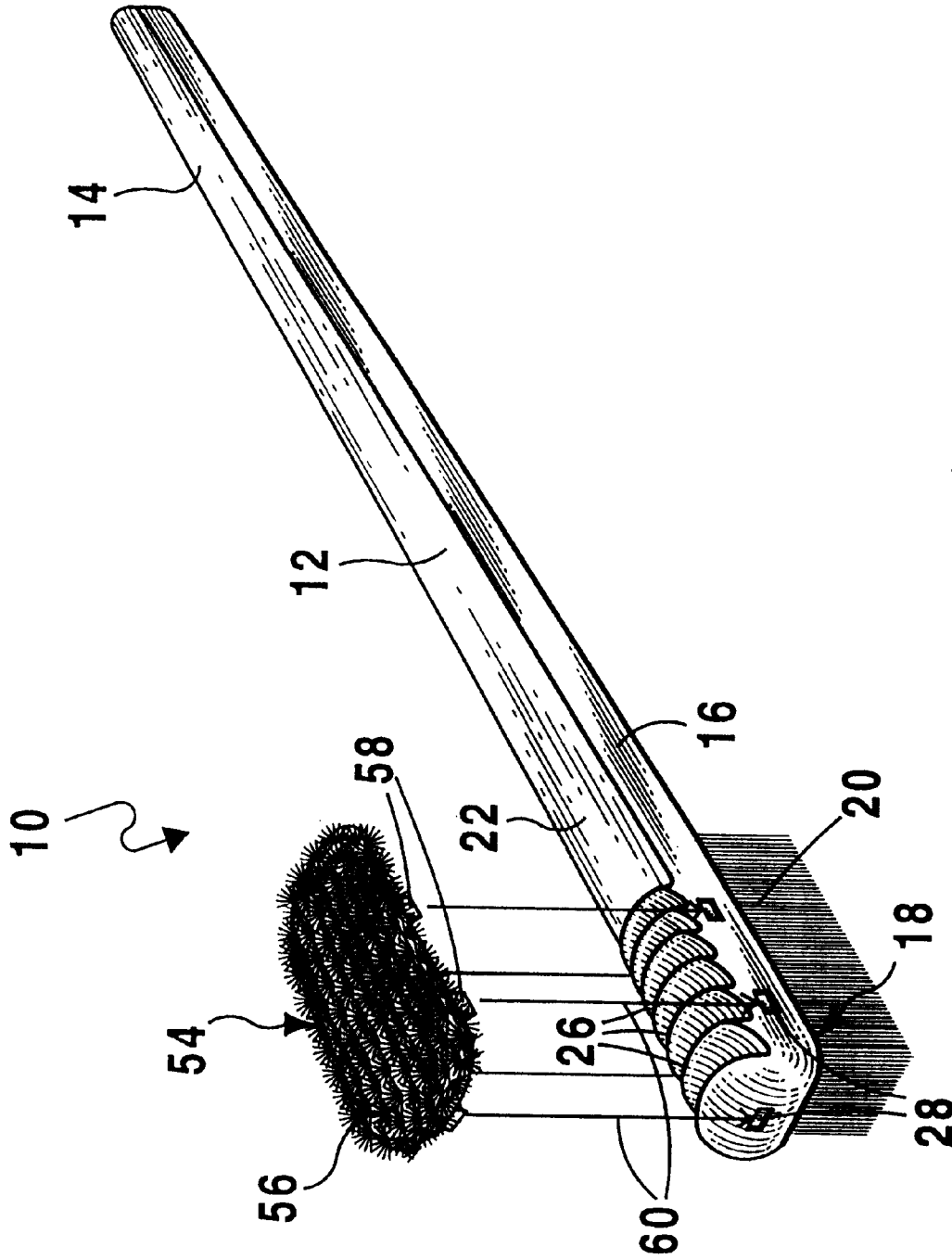


FIG 7

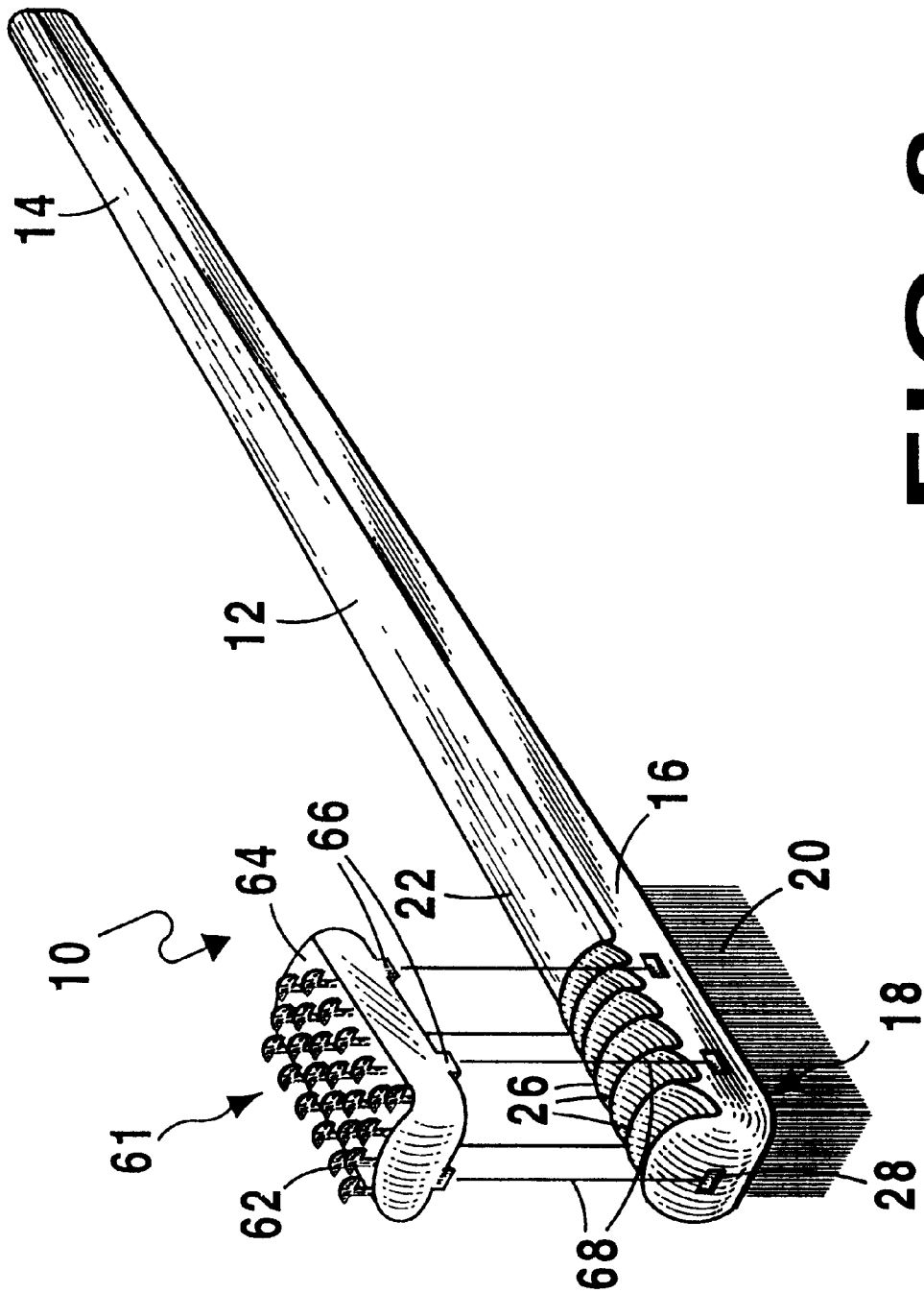


FIG 8

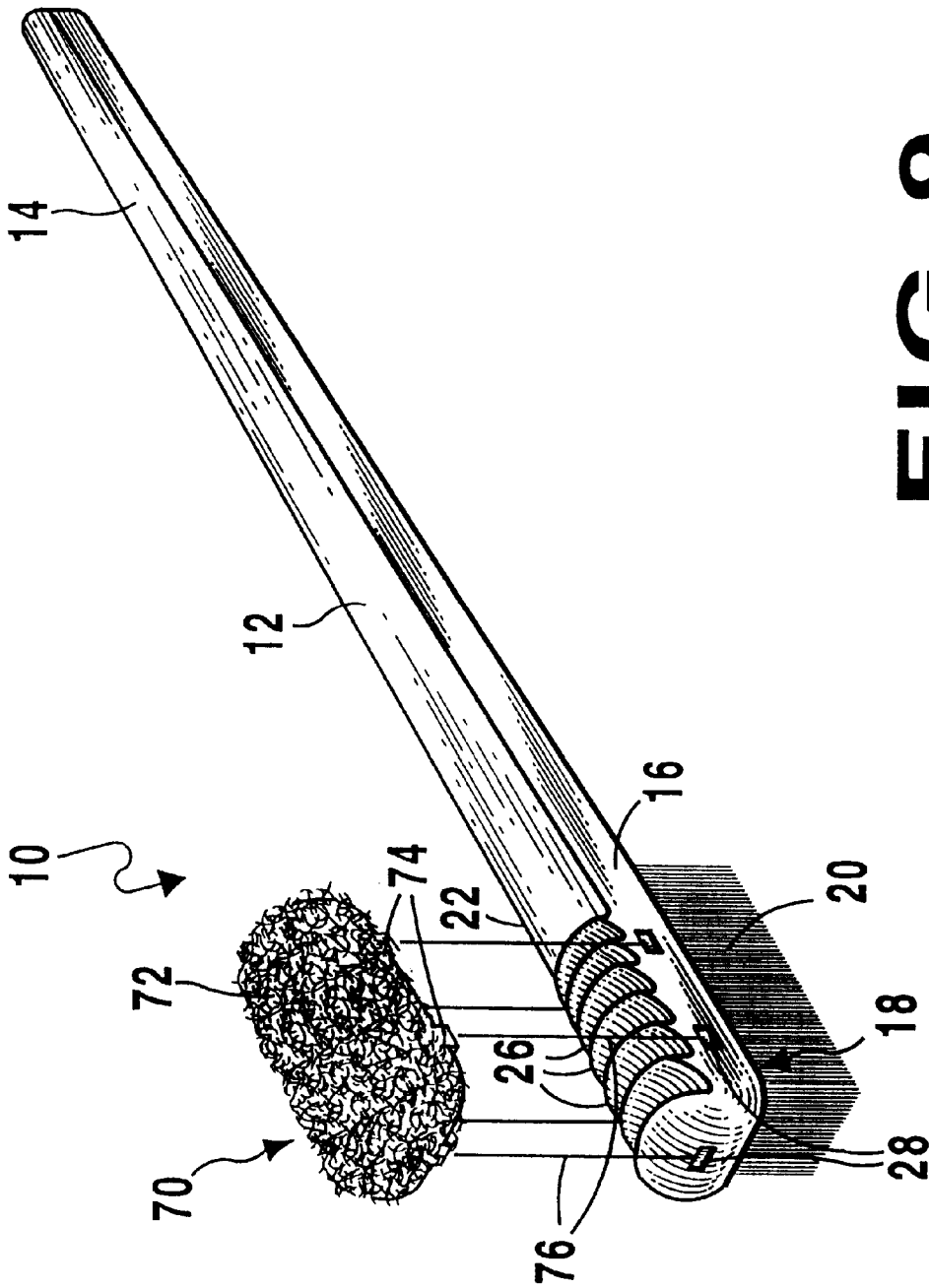


FIG 9

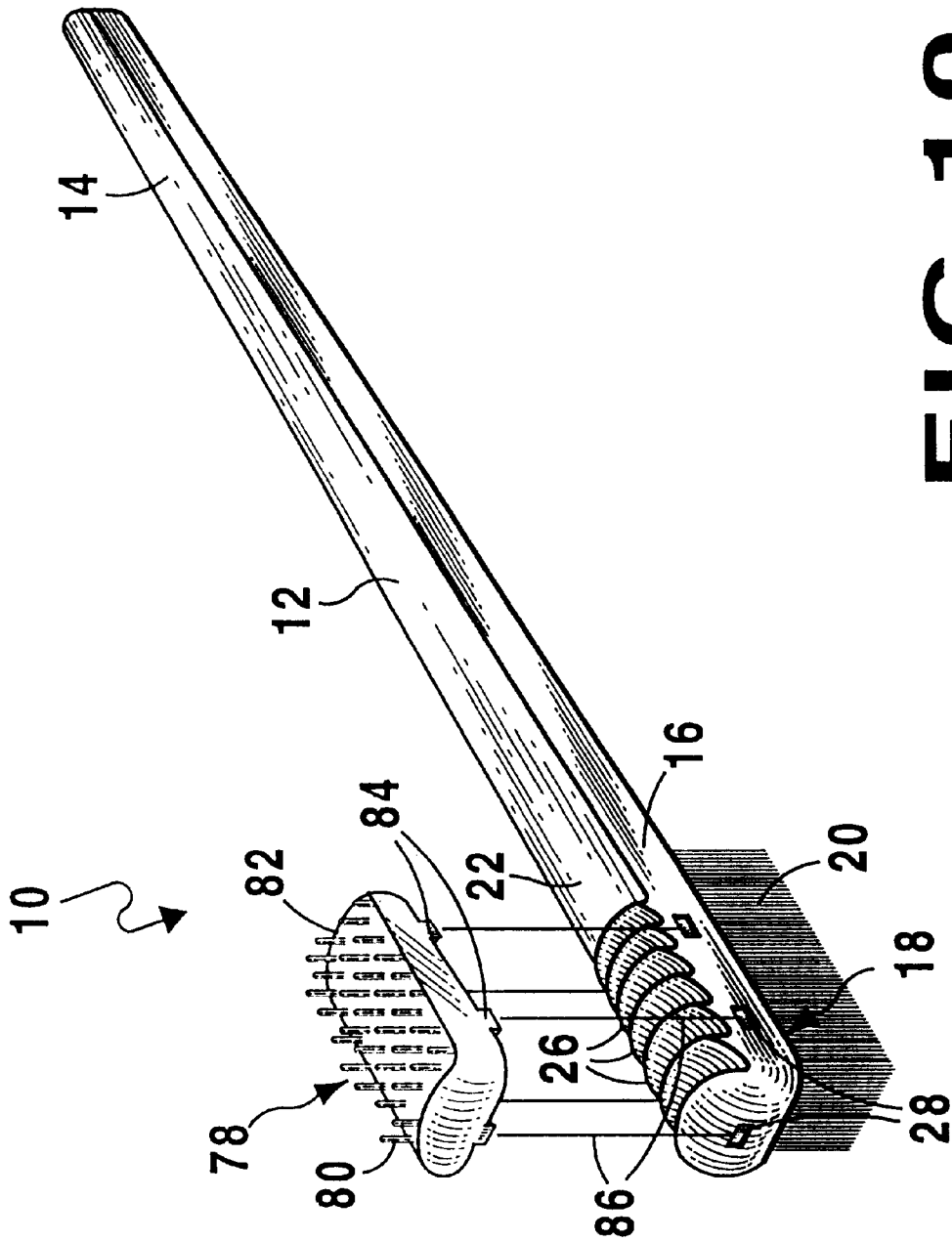


FIG 10

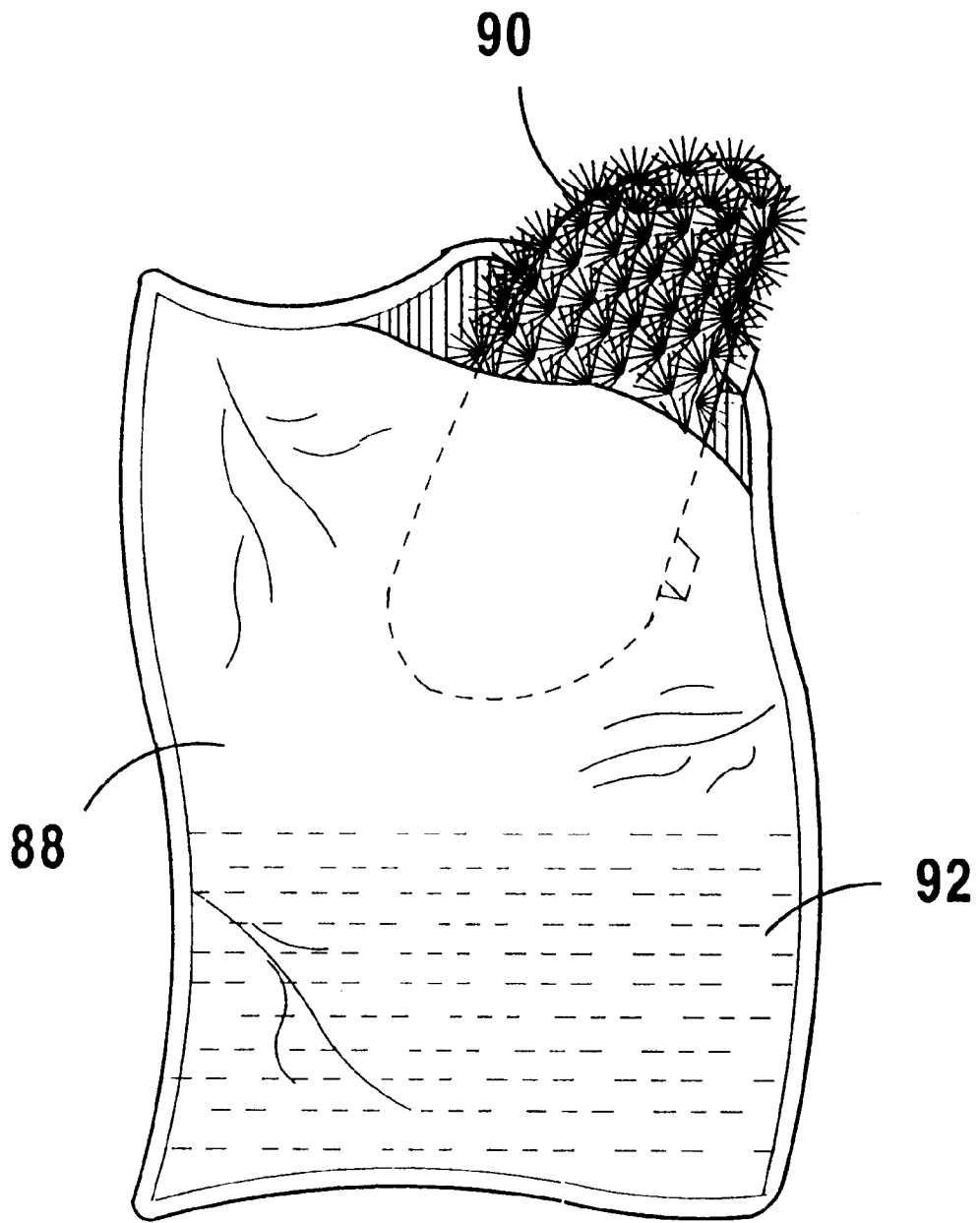


FIG 11

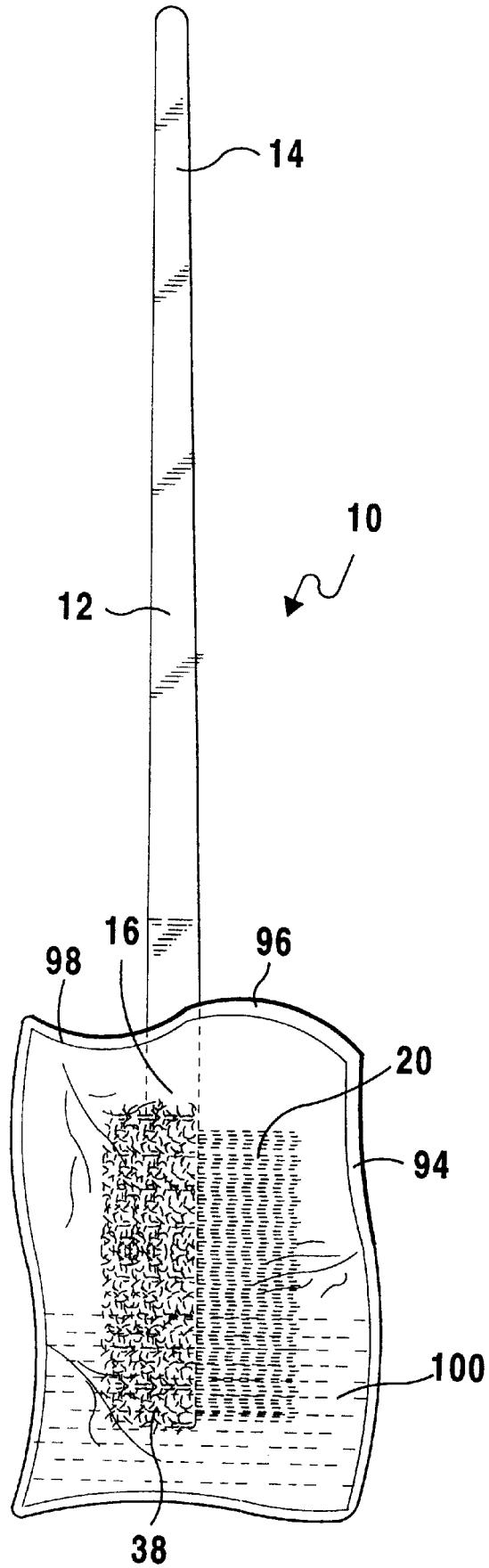


FIG 12

ALL-SIDED MOUTHBRUSH
BACKGROUND OF THE INVENTION

1. Field of the Invention

The present invention relates generally to toothbrushes and, more specifically, to a mouthbrush including conventional bristles on one side and an alternate cleaning device positioned on an opposing side of the mouthbrush, and an alternate embodiment is provided wherein a plurality of interchangeable bristle type or rigid structures are adapted to be connected over the alternate cleaning device.

2. Description of the Prior Art

Numerous types of toothbrushes have been provided in the prior art. For example, U.S. Pat. Nos. 2,622,259; 4,010,509; 4,328,604 and 5,544,383 all are illustrative of such prior art. While these units may be suitable for the particular purpose to which they address, they would not be as suitable for the purposes of the present invention as heretofore described.

U.S. Pat. No. 2,622,259

Inventor: Francis E. Chauvin

Issued: Dec. 23, 1952

This patent discloses a toothbrush including tapered rows of bristles whereby all surfaces of the teeth, namely the grinding surfaces, the sides, areas between the sides and particularly the surfaces between the teeth may be properly and substantially simultaneously cleaned by sweeping movements of the brush. The sides of the teeth are cleaned with a sweeping motion from the gums towards the grinding or biting surfaces while the grinding surfaces are cleaned with transverse sweeping movements of the brush.

U.S. Pat. No. 4,010,509

Inventor: Frederic G. Huish

Issued: Mar. 8, 1977

The invention is a double sulcus toothbrush having two groups of sulcus bristles which diverge at an angle relative to one another laterally of the toothbrush so that these groups may bear against the upper and lower teeth, inside and out, with the bristles entering the sulci at an angle appropriate for their cleansing, these bristles being optionally forwardly inclined, cut at a taper to facilitate brushing of the rear sulci or separated by a group of conventional bristles which are shorter than the sulcus bristles for brushing the crowns of the teeth.

U.S. Pat. No. 4,328,604

Inventor: Gregory Adams

Issued: May 11, 1982

A brush adapted for cleaning of the teeth, mouth and gums of the user, comprising a toothbrush handle, ordinary toothbrush bristles affixed to one surface of a brush head at one end of the handle in the usual and customary manner and short softer bristles for cleaning of the interior of the mouth and for massaging of the gums affixed to all surfaces of the above-mentioned brush head at the brush end of the toothbrush handle.

U.S. Pat. No. 5,544,383

Inventor: John A. Gamble

Issued: Aug. 13, 1996

A toothbrush which provides the user with simultaneous brushing action within the user's mouth. The long handle

has an end portion of a substantially elliptical cross-section in which a first side and a second side are of substantially similar elliptical curvature. Bristles are attached to both the first side and the second side in a similar pattern. The bristles on each side taper from a short extent near the end of the handle to a longer extent at a position farther from the end of the handle. Also, the bristles are formed in tufts substantially in rows latitudinally of the two sides.

SUMMARY OF THE PRESENT INVENTION

The present invention relates generally to toothbrushes and, more specifically, to a mouthbrush including conventional bristles on one side and an alternate cleaning device positioned on an opposing side of the mouthbrush, and an alternate embodiment is provided wherein a plurality of interchangeable bristle type or rigid structures are adapted to be connected over the alternate cleaning device.

A primary object of the present invention is to provide an all-sided mouthbrush that will overcome the shortcomings of prior art devices.

Another object of the present invention is to provide an all-sided mouthbrush which is able to clean the tongue and inner mouth surfaces in addition to cleaning the teeth of the user.

A further object of the present invention is to provide an all-sided mouthbrush including a handle having conventional toothbrush bristles extending from a side of one end thereof and a connection device for selectively receiving one of a plurality of templates on a side opposite the conventional toothbrush bristles.

A yet further object of the present invention is to provide an all-sided mouthbrush wherein the plurality of templates include a template having a ridged surface for scraping the tongue and inner surfaces of the mouth and a template having bristles forming tufts for scraping the tongue and inner surfaces of the mouth.

A still further object of the present invention is to provide an all-sided mouthbrush wherein the plurality of templates further include a template having spade shaped bristles for scraping the tongue and inner surfaces of the mouth and a template having a scouring-like pad for scrubbing the tongue and inner surfaces of the mouth.

A further object of the present invention is to provide an all-sided mouthbrush wherein the bristles include an upper surface formed of a soluble crystal substance able to freshen the mouth of the user while brushing the teeth.

Another object of the present invention is to provide an all-sided mouthbrush able to be used as a platform for attaching various pads thereto.

A still further object of the present invention is to provide an all-sided mouthbrush including a plurality of non-abrasive pads for use in scraping, cleaning and massaging the tongue, gums and interior surfaces of the mouth of the user.

An even further object of the present invention is to provide an all-sided mouthbrush wherein the various absorbent pads scrape, clean and massage the tongue, gums and interior surfaces of the mouth with ointments, mouthwash and antiseptics such as hydrogen peroxide.

Another object of the present invention is to provide an all-sided mouthbrush that is simple and easy to use.

A still further object of the present invention is to provide an all-sided mouthbrush that is economical in cost to manufacture.

Additional objects of the present invention will appear as the description proceeds.

An all-sided mouthbrush for cleaning a mouth of a user is disclosed by the present invention. The all-sided mouthbrush includes a handle including a first end having first and second sides, bristles extending from the first side, and an alternate cleaning device connected to the second side, wherein the bristles clean teeth of the user and the alternate cleaning device cleans a tongue and inner side of the mouth of the user. The alternate cleaning device may be in the form of one of a plurality of parallel ridges, a plurality of columns of tuft-shaped bristles, a plurality of spade headed bristles, a scouring pad-like surface or a plurality of off set rows of bristle-like structures made of soluble crystals for scraping the tongue and inner side of the mouth of the user. A plurality of templates each including a respective alternate cleaning surface and a connecting device for connecting one of the plurality of templates to the second side covering said alternate cleaning device may be attached to the all-sided mouthbrush. A resealable packet is provided for each of the templates and for receiving the first end of the handle when not in use for protecting the templates and handle from dirt and germs. A mouth freshening liquid is provided within the pouches for further protecting the templates and handle and provide additional freshening for the mouth of the user.

To the accomplishment of the above and related objects, this invention may be embodied in the form illustrated in the accompanying drawings, attention being called to the fact, however, that the drawings are illustrative only, and that changes may be made in the specific construction illustrated and described within the scope of the appended claims.

BRIEF DESCRIPTION OF THE DRAWING FIGURES

Various other objects, features and attendant advantages of the present invention will become more fully appreciated as the same becomes better understood when considered in conjunction with the accompanying drawings, in which like reference characters designate the same or similar parts throughout the several views.

FIG. 1 is a perspective view of the all-sided mouthbrush of the present invention including a ridged surface on a side opposite the bristled surface;

FIG. 2 is a perspective view of the all-sided mouthbrush of the present invention including tuft shaped bristles extending from a side opposite the bristled surface;

FIG. 3 is a perspective view of the all-sided mouthbrush of the present invention including alternating rows of spade-headed bristles extending from a side opposite the bristled surface;

FIG. 4 is a perspective view of the all-sided mouthbrush of the present invention including a scouring pad-like surface on a side opposite the bristled surface;

FIG. 5 is a perspective view of the all-sided mouthbrush of the present invention including bristles formed of soluble crystals extending from a side opposite the bristled surface;

FIG. 6 is a perspective view of the all-sided mouthbrush of the present invention including a template having a ridged surface being connected thereto;

FIG. 7 is a perspective view of the all-sided mouthbrush of the present invention including a template having tuft-shaped bristles being connected thereto;

FIG. 8 is a perspective view of the all-sided mouthbrush of the present invention including a template having alternating rows of spade headed bristles being connected thereto;

FIG. 9 is a perspective view of the all-sided mouthbrush of the present invention including a template having a scouring pad-like surface being connected thereto;

FIG. 10 is a perspective view of the all-sided mouthbrush of the present invention including a template having bristles formed of soluble crystals being connected thereto;

FIG. 11 is a front perspective view of a template for attachment to the all-sided mouthbrush of the present invention being removed from a protective packet; and

FIG. 12 is a front perspective view of the all-sided mouthbrush of the present invention having an end portion thereof positioned within a protective packet, the protective packet including mouthwash therein for application to the bristles on the mouthbrush.

DESCRIPTION OF THE REFERENCED NUMERALS

Turning now descriptively to the drawings, in which similar reference characters denote similar elements throughout the several views, the Figures illustrate the all-sided mouthbrush of the present invention. With regard to the reference numerals used, the following numbering is used throughout the various drawing figures.

- 10 all-sided mouthbrush of the present invention
- 12 handle of mouthbrush
- 14 first end of handle
- 16 second end of handle
- 18 first side of second end
- 20 bristles extending from first side of second end
- 22 second side of second end
- 24 cleaning device on second end of second side
- 26 plurality of parallel ridges forming cleaning device
- 28 device for selectively securing template to second side of second end
- 30 first alternate cleaning surface
- 32 plurality of columns of tuft-shaped bristles
- 34 second alternate cleaning surface
- 36 plurality of off set rows of spade headed bristles
- 38 third alternate cleaning surface
- 40 fourth alternate cleaning surface
- 42 plurality of rows of bristle-like structures
- 44 first template
- 46 plurality of parallel ridges forming first template
- 48 top side of first template
- 50 clips extending from first template
- 52 arrows indicating alignment of clips of first template with connection device
- 54 second template
- 56 columns of tuft-shaped bristles forming second template
- 58 clips extending from second template
- 60 arrows indicating alignment of clips of second template with connection device
- 61 third template
- 62 off set rows of spade-headed bristles forming third template
- 64 top side of third template
- 66 clips extending from third template
- 68 arrows indicating alignment of clips of third template with connection device
- 70 fourth template
- 72 scouring pad-like surface forming fourth template
- 74 clips extending from fourth template

- 76 arrows indicating alignment of clips of fourth template with connection device
- 78 fifth template
- 80 rows of bristle-like structures made of soluble crystals forming fifth template
- 82 top side of fifth template
- 84 clips extending from fifth template
- 86 arrows indicating alignment of clips of fifth template with connection device
- 88 packet for retaining cleaning surface
- 90 template
- 92 mouthwash
- 94 resealable packet
- 96 first end of resealable packet
- 98 locking mechanism on first end of resealable packet
- 100 mouthwash

DETAILED DESCRIPTION OF THE PREFERRED EMBODIMENT

Turning now descriptively to the drawings, in which similar reference characters denote similar elements throughout the several views, FIGS. 1 through 12 illustrate the all-sided mouthbrush of the present invention indicated generally by the numeral 10.

The all-sided mouthbrush 10 is shown in FIG. 1 including a handle 12 having a first end 14 for grasping by a user and a second end 16 for insertion into the mouth of the user. Extending from a first side 18 of the second end 16 are bristles 20 for use in brushing the teeth of the user. The bristles 20 are similar to those found on conventional toothbrushes. On a second side 22 of the second end 16 opposite the bristles 20 is a cleaning device 24 for use in scraping, scrubbing brushing and massaging the tongue and inner surface of the mouth of the user. The cleaning device 24 extends around the surface of the second end 16 not covered by the bristles 20 to create an all around surface for cleaning the tongue user. The cleaning device 24 shown in FIG. 1 is a series of parallel ridges 26.

Alternate cleaning devices may be positioned to extend from the second side 22 instead of the cleaning device 24 of FIG. 1. Examples of such alternate cleaning devices are illustrated in FIGS. 2-5. A first alternate cleaning device 30 is illustrated in FIG. 2 and is formed by a bristle surface having a plurality of columns of tuft-shaped bristles 32 connected to the second side 22 of the handle 12. The plurality of columns of tuft-shaped bristles 32 face opposite the conventional toothbrush bristles 20 and are useful in scrubbing the tongue and inner side of the mouth of the user. The plurality of tuft-shaped bristles 32 extend all around the surfaces of the second end 16 not covered by the bristles 20 in a manner similar to the cleaning device 24 to create an all around surface for cleaning the tongue and inner surface of the mouth of a user. FIG. 3 illustrates a second alternate cleaning device 34 having a bristle surface formed of a plurality of off set rows of spade headed bristles 36. The spade headed bristles 36 act to scrape the tongue and other skin surfaces within the mouth of the user. The spade headed bristles 36 extend from all around the surfaces of the second end 16 not covered by the bristles 20 in a manner similar to the cleaning device 24 and tuft-shaped bristles 32 to create an all around surface for cleaning the tongue and inner surface of the mouth of a user. A third alternate cleaning surface is illustrated in FIG. 4 and is formed of a scouring pad-like surface 38 connected to the second side 22 of the

handle 12. The scouring pad-like surface 38 faces in a direction opposite the conventional toothbrush bristles 20 and is useful in scrubbing the tongue and inner side of the mouth of the user. The scouring pad-like surface 38 extends from all around the surfaces of the second end 16 not covered by the bristles 20 in a manner similar to the cleaning device 24, tuft-shaped bristles 32 and spade headed bristles 36 of FIGS. 1-3 to create an all around surface for cleaning the tongue and inner surface of the mouth of a user. FIG. 5 illustrates a fourth alternate cleaning surface 40 formed of a bristle surface having of a plurality of rows of bristle-like structures 42 formed of soluble crystals. The plurality of rows of bristle-like structures 42 act to freshen and refresh the tongue and other skin surfaces within the mouth of the user. The plurality of rows of bristle-like structures 42 extend from all around the surfaces of the second end 16 not covered by the bristles 20 in a manner similar to the cleaning device 24, tuft-shaped bristles 32 and scouring pad-like surface 38 of FIGS. 1-4 to create an all around surface for cleaning the tongue and inner surface of the mouth of a user.

The all-sided mouthbrush 10 including the cleaning surface 24 is illustrated in FIG. 6 including a first template 44 for attachment over the cleaning surface 24. The first template 44 includes a plurality of parallel ridges 46 extending along a top side 48 thereof. The bottom side of the first template 44 forms a pool for receiving the cleaning device 24 therein. A connection device 28 is positioned on the second end of the handle 12 between the bristles 12 and the cleaning device on the second side 22. The connection device 28 is preferably formed of a plurality of recesses extending into the second end 16 of the handle 12 for receiving the clips 50 of the first template 44. A plurality of clips 50 extend from the side of the first template 44 for releasably connecting with the connection device 28. The arrows labeled with the number 52 illustrate the direction in which a force is applied to the first template 44 and the alignment of the recesses forming the connection device 24 with the clips 50.

The all-sided mouthbrush 10 including the cleaning surface 24 is illustrated in FIG. 7 including a second template 54 for attachment over the cleaning surface 24. The second template 54 includes a plurality of columns of tuft-shaped bristles 56 extending along a top side thereof. The bottom side of the second template 54 forms a pool for receiving the cleaning device 24 therein. A plurality of clips 56 extend from the side of the second template 44 for releasably connecting with the connection device 28. The connection device 28 is preferably formed of a plurality of recesses extending into the second end 16 of the handle 12 for receiving the clips 56 of the second template 54. The arrows labeled with the number 58 illustrate the direction in which a force is applied to the second template 54 and the alignment of the recesses forming the connection device 28 with the clips 56.

The all-sided mouthbrush 10 having the cleaning surface 24 is illustrated in FIG. 8 including a third template 60 for attachment over the cleaning surface 24. The third template 60 includes a plurality of rows of off set spade-headed bristles 62 extending along a top side 64 thereof. The bottom side of the third template 60 forms a pool for receiving the cleaning device 24 therein. A plurality of clips 66 extend from the side of the third template 60 for releasably connecting with the connection device 28. The connection device 28 is preferably formed of a plurality of recesses extending into the second end 16 of the handle 12 for receiving the clips 66 of the third template 60. The arrows labeled with the number 68 illustrate the direction in which

a force is applied to the third template **60** and the alignment of the recesses forming the connection device **28** with the clips **66**.

The all-sided mouthbrush **10** including the cleaning surface **24** is illustrated in FIG. **9** including a fourth template **70** for attachment over the cleaning surface **24**. The fourth template **70** includes a scouring pad-like surface **72** extending along a top side thereof. The bottom side of the fourth template **70** forms a pool for receiving the cleaning device **24** therein. A plurality of clips **74** extend from the side of the fourth template **70** for releasably connecting with the connection device **28**. The connection device **28** is preferably formed of a plurality of recesses extending into the second end **16** of the handle **12** for receiving the clips **74** of the fourth template **70**. The arrows labeled with the number **76** illustrate the direction in which a force is applied to the fourth template **70** and the alignment of the recesses forming the connection device **28** with the clips **74**.

The all-sided mouthbrush **10** including the leaning surface **24** is illustrated in FIG. **10** including a fifth template **78** for attachment over the cleaning surface **24**. The fifth template **78** includes a plurality of rows of bristle-like structures made of soluble crystals **80** extending along a top side **82** thereof. The bottom side of the fifth template **78** forms a pool for receiving the cleaning device **24** therein. A plurality of clips **84** extend from the side of the fifth template **78** for releasably connecting with the connection device **28**. The connection device **28** is preferably formed of a plurality of recesses extending into the second end **16** of the handle **12** for receiving the clips **84** of the fifth template **78**. The arrows labeled with the number **86** illustrate the direction in which a force is applied to the fifth template **78** and the alignment of the recesses forming the connection device **28** with the clips **84**.

FIG. **11** illustrates a sealed packet **88** in which a template **90** is positioned. The template **90** is similar to the templates illustrated in FIGS. **6-10** and is for connection with the all-sided mouthbrush of the present invention. The sealed packet **88** may include mouthwash **92** or some other similar mouth cleansing liquid which may be used to rinse the mouth of the user after using the all-sided mouthbrush.

FIG. **12** illustrates a resealable packet **94** in which the all-sided mouthbrush **10** may be placed when not in use. The resealable packet **94** includes a first end **96** including a resealable locking mechanism **98** through which the second end **16** of the handle **12** will be inserted into the packet **94**. The packet **94** will protect the second end **16**, the bristles **20** and the alternate cleaning surface **38** when the all-sided mouthbrush **10** is not being used. Mouthwash **100** or some other similar mouth cleansing liquid which may be used to rinse the mouth of the user after using the all-sided mouthbrush may be poured into the packet **94** with the second end **16** of the handle **12**.

While a preferred structure for the connecting the template to the handle is shown and described herein, those of ordinary skill in the art who have read this description will appreciate that there are numerous other structures for connecting the template to the handle and, therefore, as used herein the phrase "means for connecting the template to the handle" should be construed as including all such structures as long as they achieve the desired result of connecting the template to the handle, and therefore, that all such alternative mechanisms are to be considered as equivalent to the one described herein.

The operation of the all-sided mouthbrush **10** will now be described with reference to the figures. In operation, the

all-sided mouthbrush **10** is contained within a resealable packet **94** from which it must be removed. The packet **94** may contain mouthwash **100** for covering the bristles and aiding in freshening the mouth of the user during and after use. The templates are also each contained in resealable packets **88** from which they must be removed. The packets **88** may contain mouthwash **100** for covering the cleaning surface thereof and aiding in freshening the mouth of the user during and after use. The user will decide which cleaning surface is desired to be used and remove the appropriate template from its packet **88**.

The user will now releasably secure the template to the second side **22** of the handle **12** opposite the conventional bristles **20**. This is performed by applying a force on the template towards the second side **22** until the clips extending from the template engage the connection device **28** on the handle **12**. The all-sided mouthbrush **10** is now ready for use.

The user will brush the teeth in the usual manner using the conventional toothbrush bristles. Once completed, the user will then use the alternate cleaning surface provided by the template and using a back and forth or side to side motion will scrub the alternate cleaning surface against the tongue and inner side of the mouth. This scrubbing will act to clean the tongue and inner side of the mouth of the user. The user may then rinse the mouth with any mouthwash in the packets **88** and **94**.

Once finished the user will remove the template by applying a force in a direction opposite the connection force to disengage the clips from the connection device. The template will then be placed within its packet **88** and the packet **88** will be resealed. The second end **16** of the all-sided mouthbrush **10** will then be inserted into its packet **94** and the packet **94** will be resealed. The all-sided mouthbrush **10** and template will then be put away for use in the future.

From the above description it can be seen that the all-sided mouthbrush of the present invention is able to overcome the shortcomings of prior art devices by providing an all-sided mouthbrush which is able to clean the tongue and inner mouth surfaces in addition to cleaning the teeth of the user. The all-sided mouthbrush includes a handle having conventional toothbrush bristles extending from a side of one end thereof and a connection device for selectively receiving one of a plurality of templates on a side opposite the conventional toothbrush bristles, the plurality of templates including a template having a ridged surface for scraping the tongue and inner surfaces of the mouth, a template having bristles forming tufts for scraping the tongue and inner surfaces of the mouth, a template having spade shaped bristles for scraping the tongue and inner surfaces of the mouth and a template having a scouring-like pad for scrubbing the tongue and inner surfaces of the mouth. The all-sided mouthbrush may also include bristles which include an upper surface formed of a soluble crystal substance able to freshen the mouth of the user while brushing the teeth. The all-sided mouthbrush is able to be used as a platform for attaching various pads thereto which can scrape, clean and massage the tongue, gums and interior surfaces of the mouth with ointments, mouthwash and antiseptics such as hydrogen peroxide. The all-sided mouthbrush may also include a plurality of non-abrasive pads for massaging the tongue, gums and interior surfaces of the mouth of the user. Furthermore, the all-sided mouthbrush of the present invention is simple and easy to use and economical in cost to manufacture.

It will be understood that each of the elements described above, or two or more together may also find a useful

application in other types of methods differing from the type described above.

While certain novel features of this invention have been shown and described and are pointed out in the annexed claims, it is not intended to be limited to the details above, since it will be understood that various omissions, modifications, substitutions and changes in the forms and details of the device illustrated and in its operation can be made by those skilled in the art without departing in any way from the spirit of the present invention.

Without further analysis, the foregoing will so fully reveal the gist of the present invention that others can, by applying current knowledge, readily adapt it for various applications without omitting features that, from the standpoint of prior art, fairly constitute essential characteristics of the generic or specific aspects of this invention.

What is claimed is new and desired to be protected by Letters Patent is set forth in the appended claims:

1. An all-sided mouthbrush for cleaning a mouth of a user, said all-sided mouthbrush comprising:

- a) a handle including a first end having oppositely facing first and second sides;
- b) bristles extending from said first side;
- c) an alternate cleaning device connected to said second side, said bristles being adapted to clean teeth of the user and said alternate cleaning device being adapted to scrub and clean the tongue and inner side of the mouth of the user; and
- d) said alternate cleaning device includes a plurality of parallel ridges extending from all sides of said first end not occupied by said bristles for scraping the tongue and inner side of the mouth of the user.

2. The all-sided mouthbrush as recited in claim 1, further comprising a resealable packet for receiving said first end of said handle when not in use.

3. The all-sided mouthbrush as recited in claim 2, further comprising a freshening liquid positioned within said resealable packet for freshening said bristles and alternate cleaning device when positioned within said resealable packet.

4. An all-sided mouthbrush for cleaning a mouth of a user, said all-sided mouthbrush comprising:

- a) a handle including a first end having first and second sides;
- b) bristles extending from said first side; and
- c) an alternate cleaning device connected to said second side, wherein said bristles clean teeth of the user and said alternate cleaning device is scrubbed against a tongue and inner side of the mouth thereby cleaning the tongue and inner side of the mouth of the user; and
- d) said alternate cleaning device includes a plurality of spade headed bristles extending from all sides of said first end not occupied by said bristles for scraping the tongue and inner side of the mouth of the user.

5. An all-sided mouthbrush for cleaning a mouth of a user, said all-sided mouthbrush comprising:

- a) a handle including a first end having first and second sides;
- b) bristles extending from said first side;
- c) an alternate cleaning device connected to said second side, wherein said bristles clean teeth of the user and

said alternate cleaning device is scrubbed against a tongue and inner side of the mouth thereby cleaning the tongue and inner side of the mouth of the user; and

- d) said alternate cleaning device includes a plurality of off set rows of bristle-like structures extending from all sides of said first end not occupied by said bristles for scraping the tongue and inner side of the mouth of the user, said bristle-like structures being made of soluble crystals.

6. An all-sided mouthbrush for cleaning a mouth of a user, said all-sided mouthbrush comprising:

- a) a handle including a first end having first and second sides;
- b) bristles extending from said first side;
- c) an alternate cleaning device connected to said second side, wherein said bristles clean teeth of the user and said alternate cleaning device is scrubbed against a tongue and inner side of the mouth thereby cleaning the tongue and inner side of the mouth of the user; and
- d) a plurality of templates each including a respective alternate cleaning surface and means for connecting one of said plurality of templates to said second side covering said alternate cleaning device.

7. The all-sided mouthbrush as recited in claim 6, wherein said cleaning surface on each of said plurality of templates is one of a plurality of parallel ridges, a plurality of columns of tuft-shaped bristles, a plurality of spade headed bristles, a scouring pad-like surface and a plurality of off set rows of bristle-like structures made of soluble crystals.

8. The all-sided mouthbrush as recited in claim 7, wherein each of said plurality of templates includes at least one clip extending therefrom and said connecting device includes at least one recess extending into said first end of said handle for receiving said at least one clip of a respective one of said plurality of templates.

9. The all-sided mouthbrush as recited in claim 6, further comprising a resealable packet for receiving said first end of said handle when not in use.

10. The all-sided mouthbrush as recited in claim 9, further comprising a plurality of pouches, each pouch receiving a respective one of said plurality of templates when not secured to said second side.

11. The all-sided mouthbrush as recited in claim 10, further comprising a freshening liquid positioned within each of said plurality of pouches for freshening said bristles and alternate cleaning device when positioned within said resealable packet.

12. The all-sided mouthbrush as recited in claim 9, further comprising a freshening liquid positioned within said resealable packet for freshening said bristles and alternate cleaning device when positioned within said resealable packet.

13. The all-sided mouthbrush as recited in claim 6, further comprising a plurality of pouches, each pouch receiving a respective one of said plurality of templates when not secured to said second side.

14. The all-sided mouthbrush as recited in claim 13, further comprising a freshening liquid positioned within each of said plurality of pouches for freshening said bristles and alternate cleaning device when positioned within said resealable packet.