



US006219884B1

(12) **United States Patent**  
**Adriano**

(10) **Patent No.:** **US 6,219,884 B1**  
(45) **Date of Patent:** **Apr. 24, 2001**

(54) **METHOD AND APPARATUS FOR DECORATIVE TOILET FLUSH HANDLES**

(76) Inventor: **Renwick N Adriano**, 729 Onipaa Pl., Makawao, HI (US) 96768

(\*) Notice: Subject to any disclaimer, the term of this patent is extended or adjusted under 35 U.S.C. 154(b) by 0 days.

(21) Appl. No.: **09/407,050**

(22) Filed: **Sep. 27, 1999**

(51) **Int. Cl.**<sup>7</sup> ..... **E03D 5/09**; E03D 1/00

(52) **U.S. Cl.** ..... **16/110.1**; 4/405; 16/441; 16/DIG. 41; 16/DIG. 30

(58) **Field of Search** ..... 16/110.1, 441, 16/DIG. 41, DIG. 30; 411/508, 509, 913, 342, 344, 345; 4/405, 411, 412

(56) **References Cited**

**U.S. PATENT DOCUMENTS**

- D. 252,584 8/1979 Raz .
- D. 318,715 7/1991 Hardman .
- D. 318,716 7/1991 Hardman .
- D. 319,297 8/1991 Hardman .
- D. 320,646 10/1991 Hardman .
- D. 389,392 1/1998 Wan .

- 2,364,314 \* 12/1944 Pleasant et al. .... 4/405 X
- 3,278,948 \* 10/1966 Jensen ..... 4/405
- 4,624,018 \* 11/1986 Kurtz ..... 4/405 X
- 4,864,665 \* 9/1989 Toltzman ..... 4/405 X
- 4,876,766 10/1989 Cohen .
- 5,206,960 \* 5/1993 Hooshley et al. .... 4/325
- 5,666,693 9/1997 Levay .
- 5,771,502 \* 6/1998 O'Grady ..... 4/405

\* cited by examiner

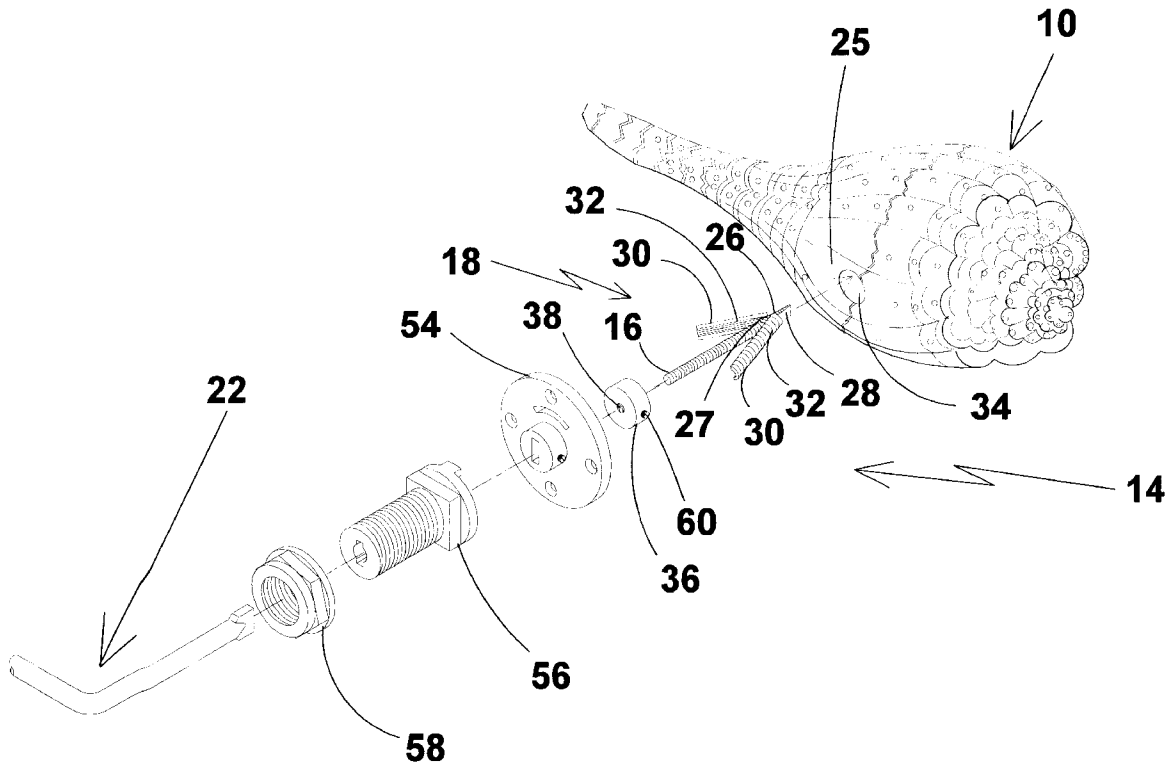
*Primary Examiner*—Robert Sandy

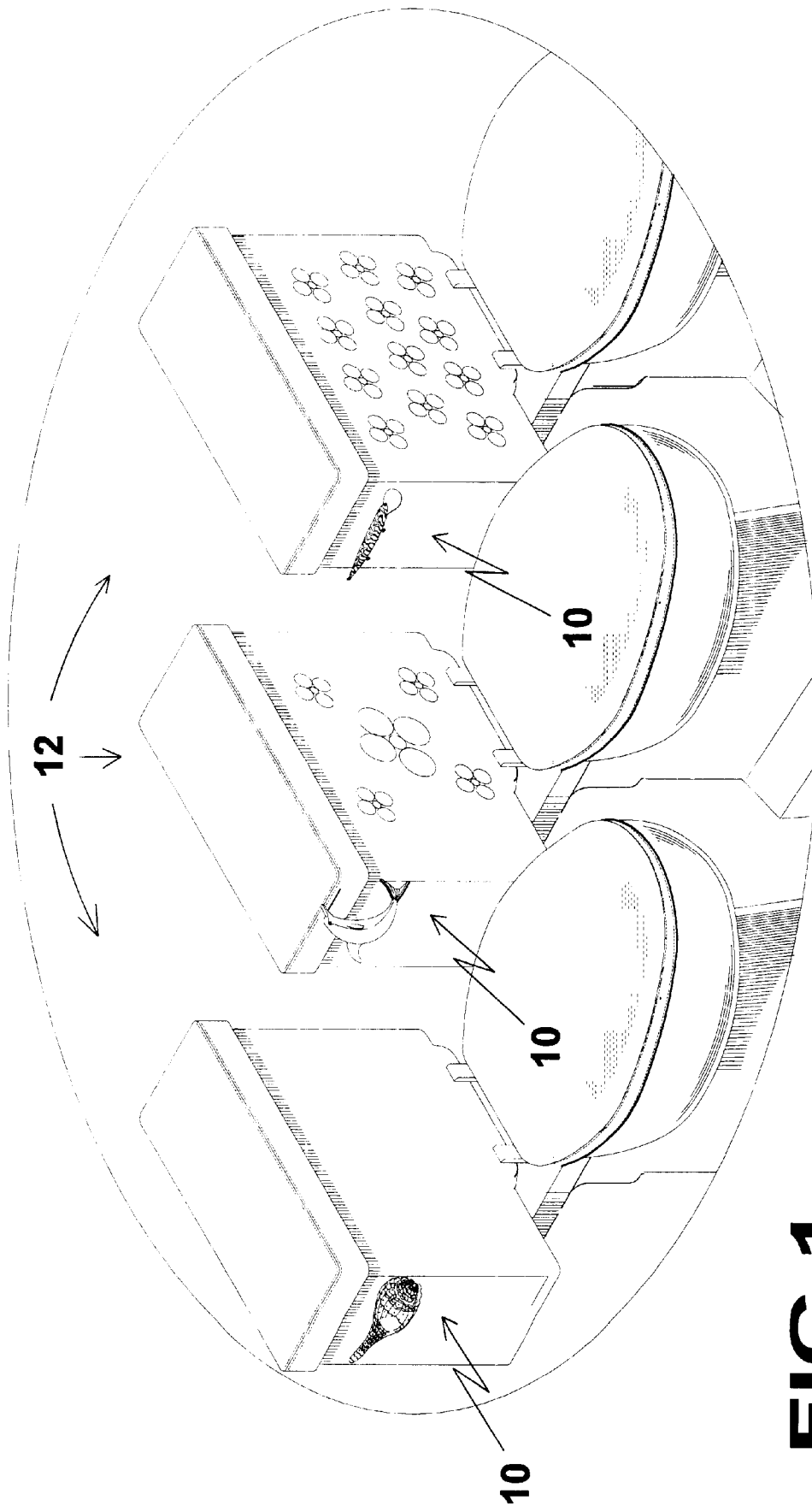
(74) *Attorney, Agent, or Firm*—Michael I. Kroll

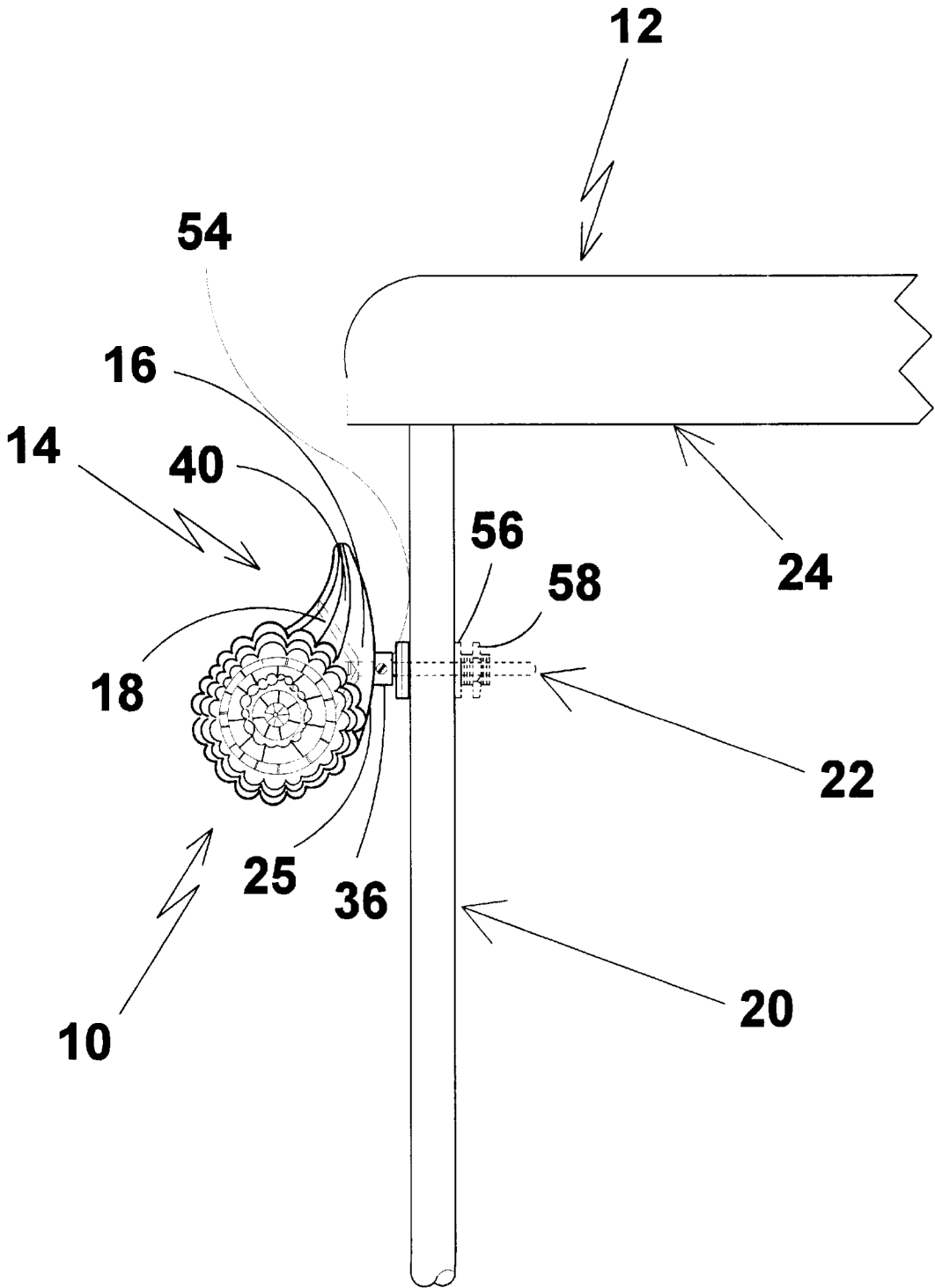
(57) **ABSTRACT**

The present invention **14** discloses a method and apparatus for attaching a decorative flush handle **10** to a conventional toilet **12**. Shown is a threaded shaft **16** having a first rotatable member **18** mounted thereon having a pair of oppositely opposing, hingedly mounted arms **30** spring tensioned away from each for mounting in the inner cavity **40** of the decorative item **10**. A second rotatable disc **36** is threadably attached to shaft **16** and adjustable positioned on shaft **16** to fixedly secure the wall **25** of the decorative item between disc **36** and arms **30**. Arms **30** have external threads **32** thereon so that the arms **30** and shaft **16** can function somewhat like a conventional screw for placement in decorative items.

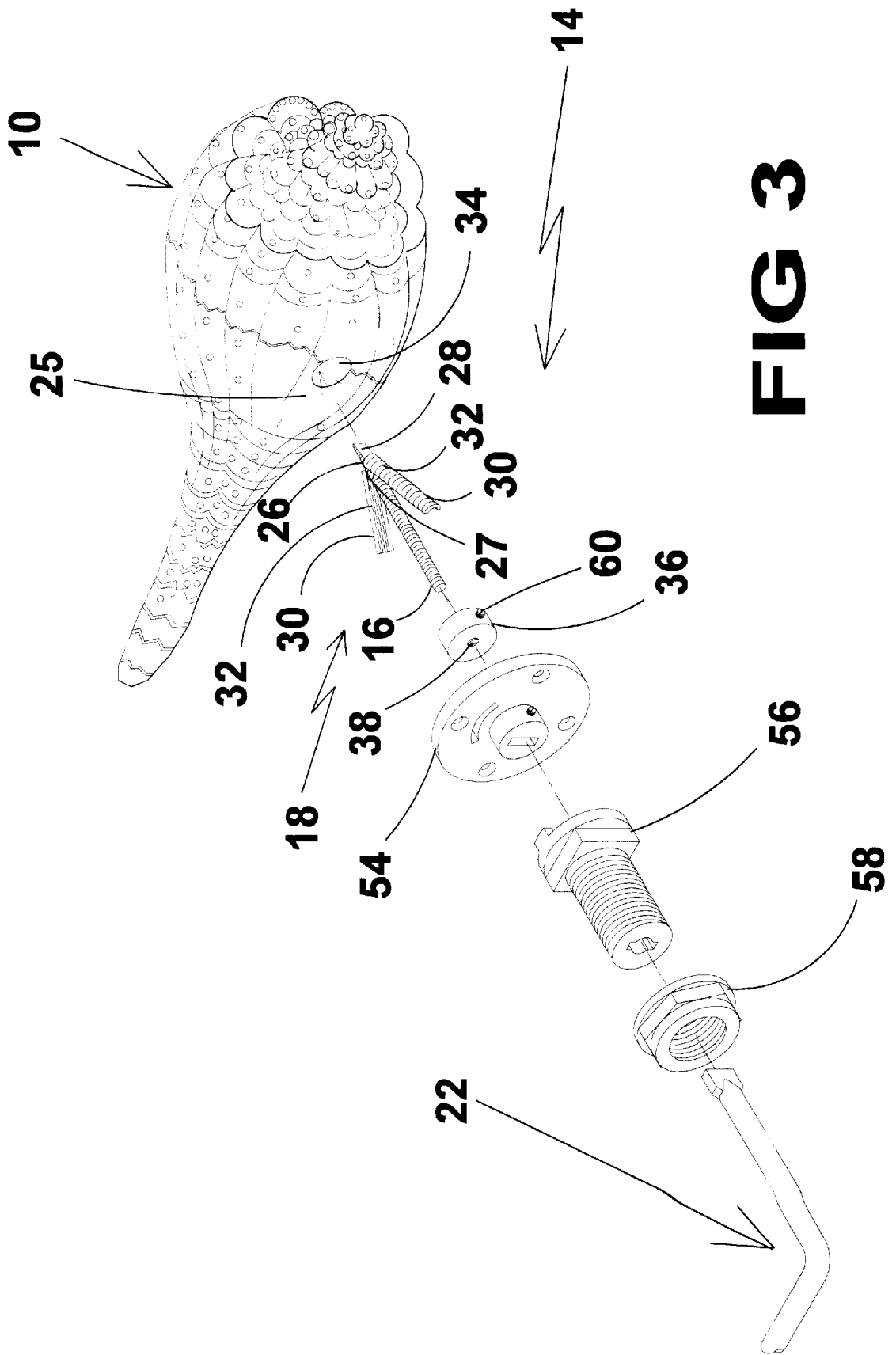
**12 Claims, 8 Drawing Sheets**



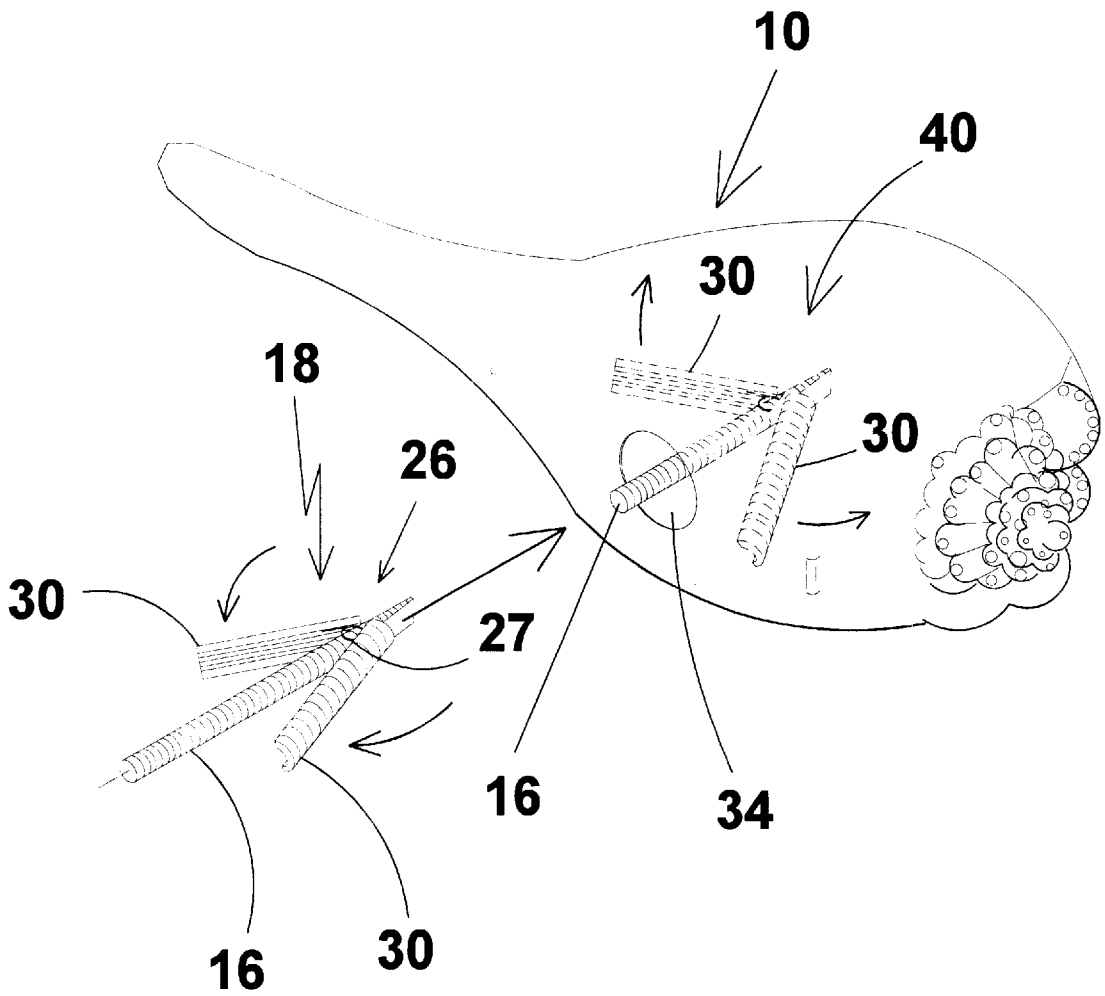




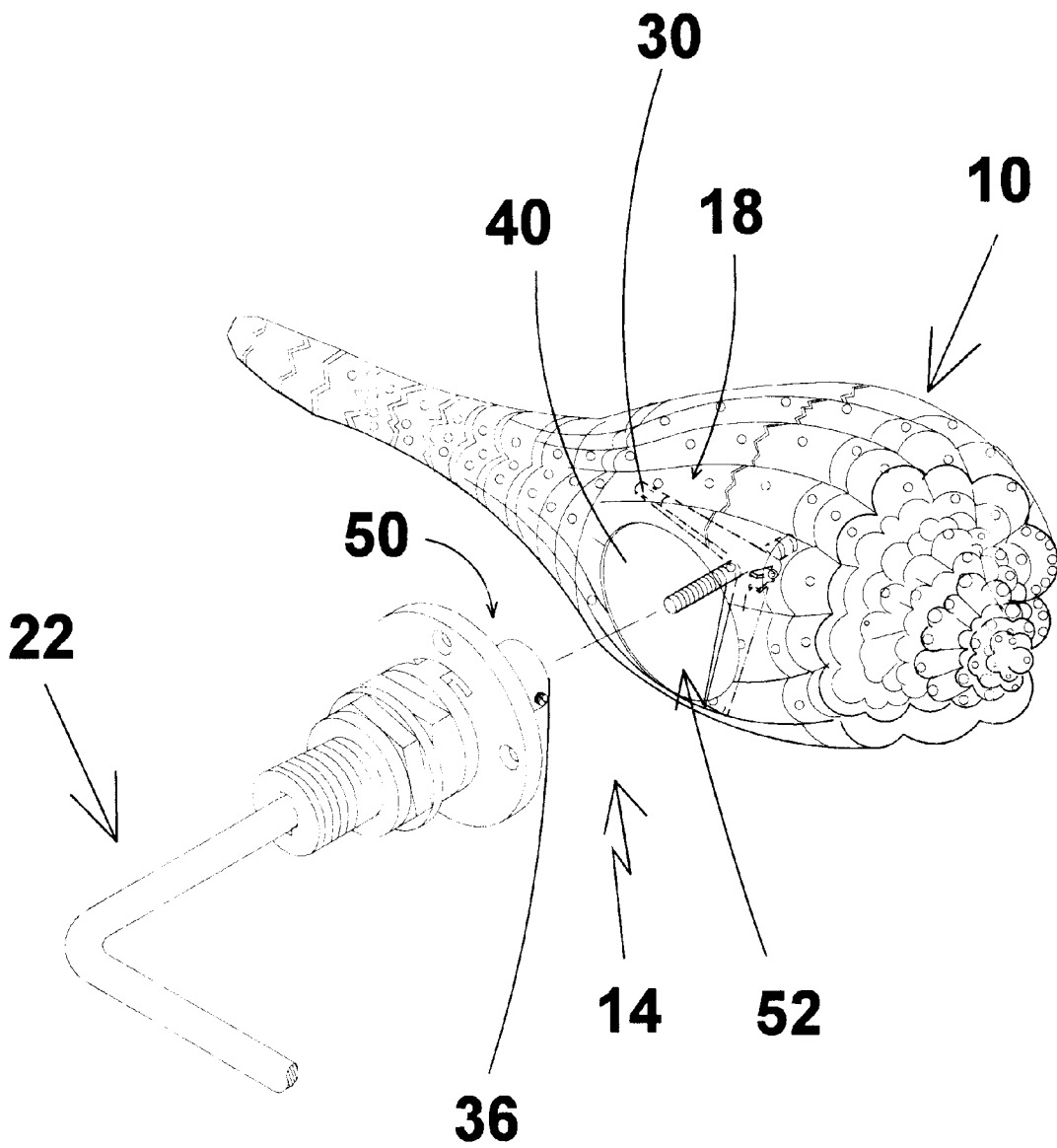
**FIG 2**



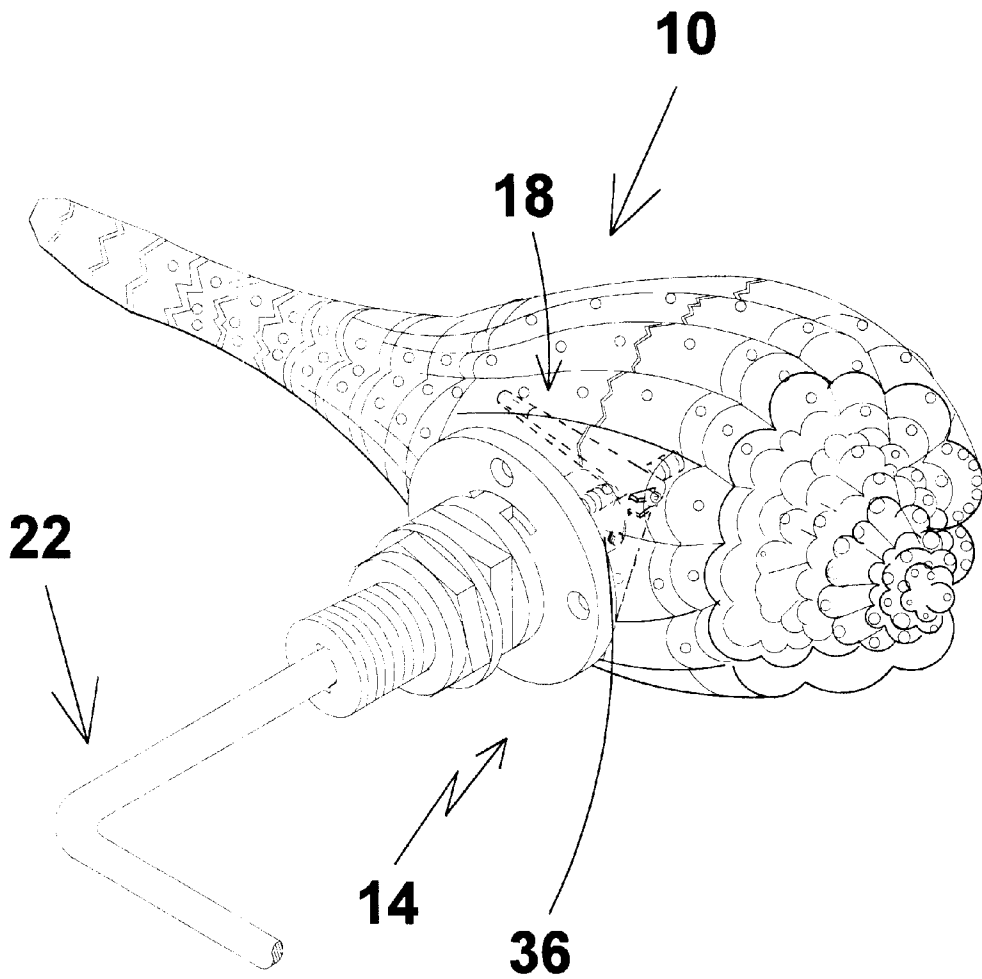
**FIG 3**



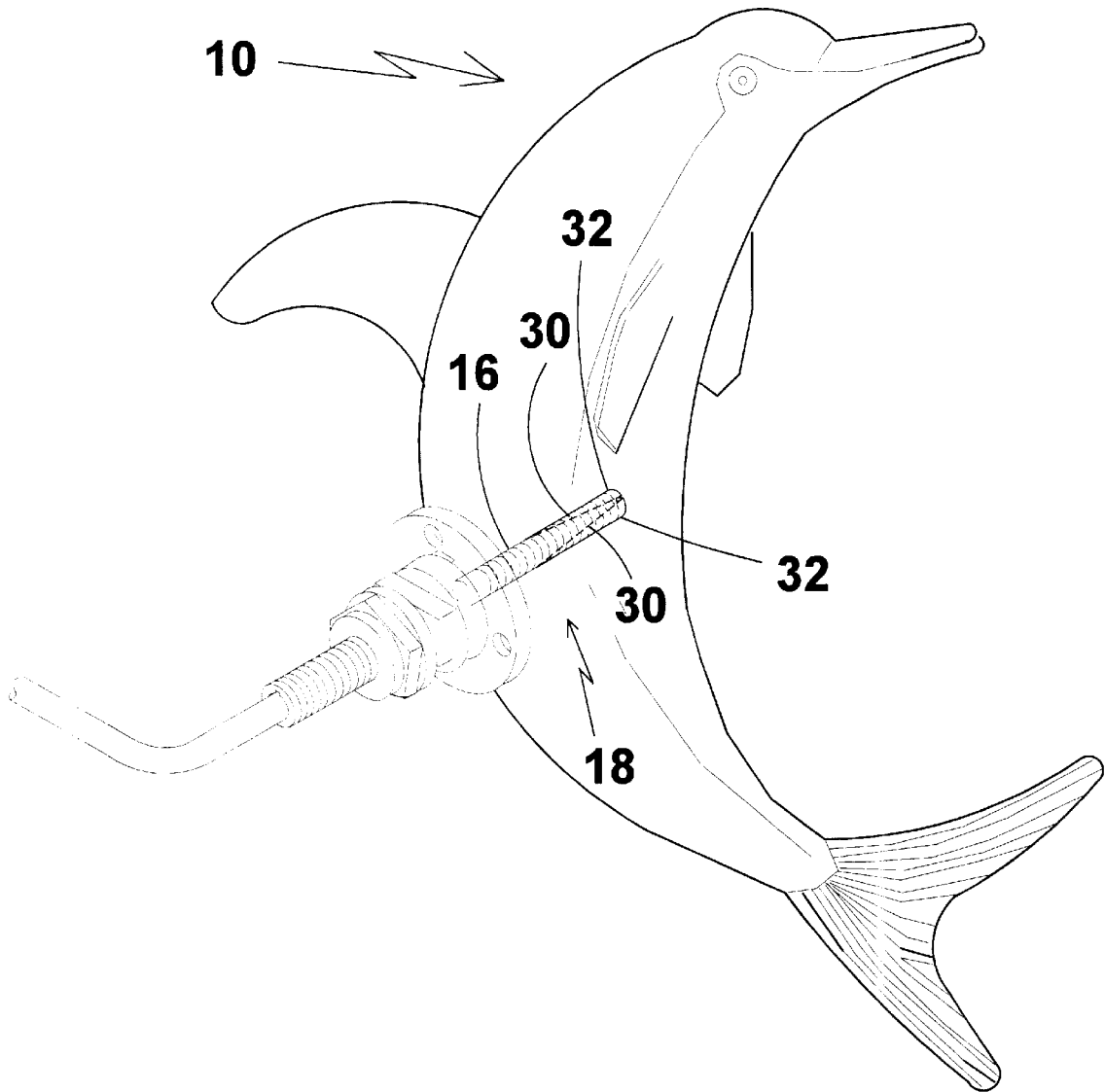
**FIG 3A**



**FIG 4**

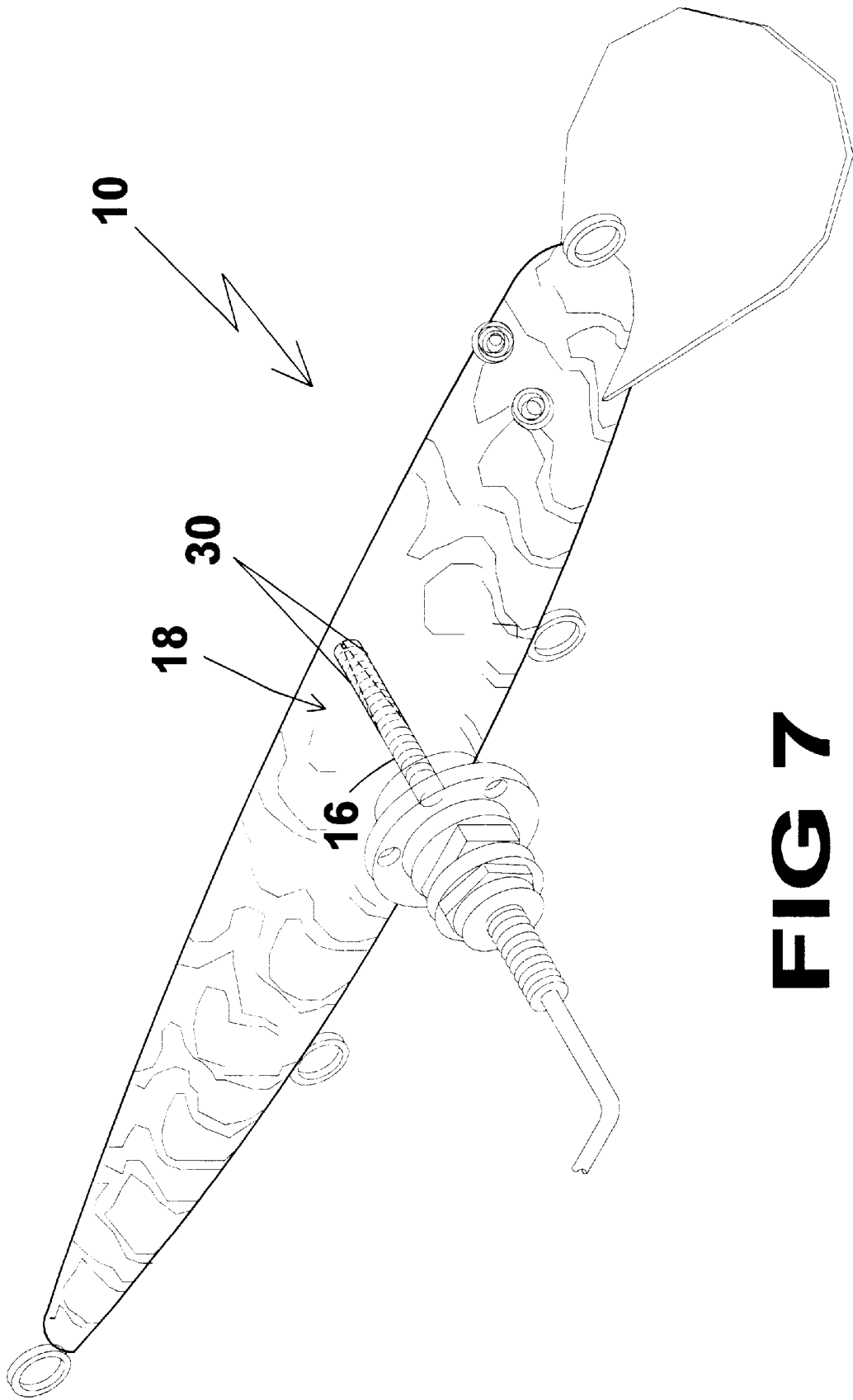


**FIG 5**



**FIG 6**





**FIG 7**

METHOD AND APPARATUS FOR DECORATIVE TOILET FLUSH HANDLES

BACKGROUND OF THE INVENTION

1. Field of the Invention

The present invention relates generally to toilet flush handles and, more specifically, to a method and device for attaching a plurality of decorative and novel figurines. The device is comprised of a threaded shaft having two members mounted thereon. The first member has a collar with a centrally positioned threaded aperture for selectively positioning said first member on the threaded shaft. The collar has two oppositely positioned springs attached to the exterior surface of the collar having each leg member fixedly positioned to divergent arm members. The arm members have threads on their external surfaces so that the divergent arms can be pressed to the body of the threaded shaft whereby the divergent arms will permit the device to be used in much the same fashion as a screw. This will enable the fastener to be threaded into a user-supplied cavity with the chosen decorative object. Further the decorative object can be fixedly attached to the device by applying an amount of adhesive on the divergent arms prior to mounting the decorative object thereon.

In addition if the decorative item has no interior structure, such as in the case of a seashell, the device can be inserted into a user-supplied aperture whereupon the divergent arm members will flair out once inside the decorative object. The second member is a disc having a centrally positioned threaded aperture therethrough. The second mounted member can be advanced toward the first mounted member until the decorative item is fixedly contained between the two mounted members. The decorative object can be further fixedly attached by applying an amount of adhesive to the contact points between the first and second mounting members and the decorative figurine.

2. Description of the Prior Art

There are other decorative handles designed for novelty purposes. Typical of these is U.S. Pat. No. 4,876,766 issued to Cohen on Oct. 31, 1989.

Another patent was issued to Levay on Sep. 16, 1997 as U.S. Pat. No. 5,666,693. Yet another U.S. Pat. No. Des. 252,584 was issued to Raz on Aug. 7, 1979 and still yet another was issued on Jul. 30, 1991 to Hardman as U.S. Pat. No. Des. 318,715.

Another patent was issued to Hardman on Jul. 30, 1991 as U.S. Pat. No. Des. 318,716. Yet another U.S. Pat. No. Des. 319,297 was issued to Hardman on Aug. 20, 1991. Another was issued to Hardman on Oct. 8, 1991 as U.S. Pat. No. Des. 320,646 and still yet another was issued on Jan. 20, 1998 to Wan as U.S. Pat. Des. 389,392.

U.S. Pat. No. 4,876,766

Inventor: Richard K. Cohen

Issued: Oct. 31, 1989

A decorative faucet handle mounting apparatus includes an adapter having a first bore complementarily shaped to the shape of a faucet stem. A second bore formed coaxially in the adapter cooperates with a fastener to attach the adapter to the faucet stem. A decorative handle has a longitudinal bore extending inward from one end which is engageable over the adapter. A perpendicular bore formed in the handle receives a threaded fastener engageable through the perpendicular bore with the adapter to secure the handle to the adapter.

U.S. Pat. No. 5,666,693

Inventor: Peggy Levay

Issued: Sep. 16, 1997

A novelty device simulating a portion of a character or an object, such as half an animal, for example a frog, is capable of functioning as a toy handle for use with oral devices such as lollipops, popsicles, or teething rings or the like, which are typically placed in the mouth of the user and provided with a handle allowing periodic removal. The amusement device allows interactive response between the user and the toy handle, as well as between the user and observers, evoking a surprised, humorous reaction in the observer. The toy handle has securing structure disposed within a receiving channel of the main body of the toy handle such that the typical handle of such an oral device may be selectively and removably secured within the toy handle. Where the handle of the oral device is a typical wrapped paper handle for a lollipop, the securing structure may be a frustoconically shaped threaded channel such as used with a wire nut, to deform and thus secure the paper lollipop handle in the toy handle of the present invention. Alternative securing structure are also disclosed.

U.S. Pat. No. Des. 252,584

Inventor: Zeev Raz

Issued: Aug. 7, 1979

This United States Patent discloses an ornamental design for a toilet flush handle as illustrated in the drawings of the patent.

U.S. Pat. No. Des. 318,715

Inventor: Ronald P. Hardman

Issued: Jul. 30, 1991

This United States Patent discloses an ornamental design for a toilet flush handle as illustrated in the drawings of the patent.

U.S. Pat. No. Des. 318,716

Inventor: Ronald P. Hardman

Issued: Jul. 30, 1991

This United States Patent discloses an ornamental design for a toilet flush handle as illustrated in the drawings of the patent.

U.S. Pat. No. Des. 319,297

Inventor: Ronald P. Hardman

Issued: Aug. 20, 1991

This United States Patent discloses an ornamental design for a toilet flush handle as illustrated in the drawings of the patent.

U.S. Pat. No. Des. 320,646

Inventor: Ronald P. Hardman

Issued: Oct. 8, 1991

This United States Patent discloses an ornamental design for a toilet flush handle as illustrated in the drawings of the patent.

U.S. Pat. No. Des. 389,392

Inventor: Chen Wan

Issued: Jan. 20, 1998

This United States Patent discloses an ornamental design for a doorknob as illustrated in the drawings of the patent.

While these decorative handles designed for novelty purposes may be suitable for the purposes for which they were designed, they would not be as suitable for the purposes of the present invention, as hereinafter described.

#### SUMMARY OF THE PRESENT INVENTION

The present invention discloses a method and apparatus for attaching a decorative flush handle to a conventional toilet. Shown is a threaded shaft having a first rotatable member mounted thereon having a collar having a pair of oppositely opposing, hinged arms spring tensioned away from each for mounting in the inner cavity of the decorative item. A second rotatable disc threadably attached to the threaded shaft and adjustable positioned on the shaft in order to fixedly secure the wall of the decorative item between the disc and the arms. The arms have external threads thereon so that the arms and shaft can function somewhat like a conventional screw for placement in decorative items.

A primary object of the present invention is to provide decorative handles for toilet bowl flush handles.

Another object of the present invention is to provide a device which provides means for mounting a plurality of decorative item and figurines as toilet bowl flush handles.

Yet another object of the present invention is to provide a device having a threaded central shaft which can be mounted to the toilet bowl handle flush mechanism.

Still yet another object of the present invention is to provide a device having a threaded central shaft which can be mounted to the toilet bowl handle flush mechanism having a first and second rotative member mounted thereon.

Another object of the present invention is to provide a device having a threaded central shaft having a rotative first member having an internally threaded collar having springs fixedly attached to said collar and fixedly attached to divergent arm members.

Yet another object of the present invention is to provide a device having a threaded central shaft having a rotative first member having hingedly attached divergent arm members having exteriorly threaded surfaces which can be compressed to the central shaft and threaded into a solid core decorative item.

Still yet another object of the present invention is to provide a device having a threaded central shaft having a disc shaped rotative second member having a threaded bore therethrough.

Another object of the present invention is to provide a device having a threaded central shaft having a first rotative member having hingedly attached divergent arm members and having a disc shaped rotative second member working in conjunction with said first member whereby said first member can be inserted into a hollow decorative article and said second member can be advanced until said first and second members are frictionally in contact with the exterior wall of said decorative article.

Additional objects of the present invention will appear as the description proceeds.

The present invention overcomes the shortcomings of the prior art by providing a method and device for attaching a

plurality of decorative articles and novel figurines. The device is comprised of a threaded shaft having two members mounted thereon. The first member has a collar with a centrally positioned threaded aperture for selectively positioning said first member on the threaded shaft. The collar has two oppositely positioned springs attached to the exterior surface of the collar having each leg member fixedly positioned to divergent arm members. The arm members have threads on their external surfaces so that the divergent arms can be pressed to the body of the threaded shaft whereby the divergent arms will permit the device to be used in much the same fashion as a screw. This will enable the fastener to be threaded into a selectively chosen solid core decorative article. Further the decorative object can be fixedly attached to the device by applying an amount of adhesive on the divergent arms prior to mounting the decorative object thereon.

In addition if the decorative item has no interior structure, such as in the case of a seashell, the device can be inserted into a user-supplied aperture whereupon the divergent arm members will flair out once inside the decorative article. The second mounted member is a disc having a centrally positioned threaded aperture therethrough. The second mounted member can be advanced toward the first mounted member until the decorative item is fixedly contained between the two mounted members. The decorative object can be further fixedly attached by applying an amount of adhesive to the contact points between the first and second mounting members and the decorative figurine or by injecting an expandable foam material which will provide rigidity for said hollow core decorative article.

The foregoing and other objects and advantages will appear from the description to follow. In the description reference is made to the accompanying drawings, which form a part hereof, and in which is shown by way of illustration specific embodiments in which the invention may be practiced. These embodiments will be described in sufficient detail to enable those skilled in the art to practice the invention, and it is to be understood that other embodiments may be utilized and that structural changes may be made without departing from the scope of the invention. In the accompanying drawings, like reference characters designate the same or similar parts throughout the several views.

The following detailed description is, therefore, not to be taken in a limiting sense, and the scope of the present invention is best defined by the appended claims.

#### BRIEF DESCRIPTION OF THE DRAWINGS

In order that the invention may be more fully understood, it will now be described, by way of example, with reference to the accompanying drawings in which:

FIG. 1 an illustrative view of a plurality of different ornamental decorative items which can be used as toilet flush handles by using the mounting hardware of the present invention. Shown are examples of solid core and hollow core ornamentally decorative items which can be used functional after being mounted to the toilet bowl flush mechanism using the mounting device of the present invention.

FIG. 2 is cutaway illustration of the present invention in use, shown is a partial side view of the typical toilet having the manufacturers handle removed and a threaded shaft having two rotatively mounted members. The selected ornamental decorative article has a hollow interior. The first rotative member having hingedly attached divergent arm

members is inserted into said cavity whereupon the divergent arm members are used in conjunction with the second member rotative disc to frictionally engage the wall of the ornamental decorative article.

FIG. 3 is an exploded view of the ornamental toilet flush handle as shown in FIG. 2. The device is comprised of a threaded shaft having two members mounted thereon. The first member has a collar with a centrally positioned threaded aperture for selectively positioning said first member on the threaded shaft. The collar has two oppositely positioned springs attached to the exterior surface of the collar having each leg member fixedly positioned to divergent arm members. The arm members have threads on their external surfaces so that the divergent arms can be pressed to the body of the threaded shaft whereby the divergent arms will permit the device to be used in much the same fashion as a screw.

As illustrated the decorative item has no interior structure. The present invention mounting hardware device having a first rotative member having divergent arm members can be inserted into a user-supplied aperture whereupon the divergent arm members will flair out once inside the decorative object. The second mounted member is a disc having a centrally positioned threaded aperture therethrough. The second mounted member can be advanced toward the first mounted member until the ornamentally decorative item is fixedly contained between the two mounted members.

FIG. 3A is an illustrative view of the ornamental decorative article which will be used instead of the manufactures toilet flush handle having a user supplied access aperture therein. Also shown is the central shaft member having the first rotative member mounted thereon. The divergent hingedly attached arms can be compressed to insert said threadably mounted first member into the ornamentally decorative articles cavity whereby said first members divergent arms will extend to a fully open at rest position.

FIG. 4 is a continued illustrative view of the method and device for mounting the ornamentally decorative seashell onto the present invention mounting hardware whereby said ornamentally decorative seashell can be used in place of the manufactures supplied flush handle. Once the first rotative member having divergent arm members is positioned with the cavity of the decorative article having the arm in a fully extended at rest position. The second mounted member can be advanced toward the first mounted member until the decorative item is fixedly contained between the two mounted members. The decorative object can be further fixedly attached by applying an amount of adhesive to the contact points between the first and second mounting members and the decorative figurine or by injecting an expandable foam material which will provide rigidity for said hollow core decorative article.

FIG. 5 is a continued illustrative view of the method and device for mounting the ornamentally decorative seashell onto the present invention mounting hardware whereby said ornamentally decorative seashell can be used in place of the manufactures supplied flush handle. Shown is the decorative handle installed in place of the manufacturer's handle. The means for securing the seashell using the threadably mounted first and second member can additionally be enhanced by the selective application of adhesive.

FIG. 6 is an illustration of an ornamental article affixed to the toilet as the flush handle. The mounting hardware device is comprised of a threaded shaft having two members mounted thereon. The first member has a collar with a centrally positioned threaded aperture for selectively posi-

tioning said first member on the threaded shaft. The collar has two oppositely positioned springs attached to the exterior surface of the collar having each leg member fixedly positioned to divergent arm members. The arm members have threads on their external surfaces so that the divergent arms can be pressed to the body of the threaded shaft whereby the divergent arms will permit the device to be used in much the same fashion as a screw. This will enable the fastener to be threaded into a user-supplied cavity with the chosen decorative object. Further the decorative object can be fixedly attached to the device by applying an amount of adhesive on the divergent arms prior to mounting the decorative object thereon.

FIG. 7 is an additional illustration of an ornamental article affixed to the toilet as the flush handle. The mounting hardware is comprised of a threaded shaft having two members mounted thereon. The first member has a collar with a centrally positioned threaded aperture for selectively positioning said first member on the threaded shaft. The collar has two oppositely positioned springs attached to the exterior surface of the collar having each leg member fixedly positioned to divergent arm members. The arm members have threads on their external surfaces so that the divergent arms can be pressed to the body of the threaded shaft whereby the divergent arms will permit the device to be used in much the same fashion as a screw. This will enable the fastener to be threaded into a user-supplied cavity with the chosen decorative object. Further the decorative object can be fixedly attached to the device by applying an amount of adhesive on the divergent arms prior to mounting the decorative object thereon.

LIST OF REFERENCE NUMERALS

With regard to reference numerals used, the following numbering is used throughout the drawings:

- 10 decorative item
- 12 toilet
- 14 present invention
- 16 shaft
- 18 rotating members
- 20 toilet tank
- 22 lift arm
- 24 tank cover
- 25 wall of decorative item
- 26 collar
- 27 springs
- 28 collar threaded apertures
- 30 arm members
- 32 external threads
- 34 access aperture
- 36 disc
- 38 disc threaded aperture
- 40 cavity
- 50 adhesive
- 52 foam
- 54 mounting hardware
- 56 fastener
- 58 nut
- 60 set screw

DESCRIPTION OF THE PREFERRED EMBODIMENT(S)

In order that the invention may be more fully understood, it will now be described, by way of example, with reference to the accompanying drawings in which FIGS. 1 through 7 illustrate the present invention being an apparatus for a decorative toilet flush handle.

7

Turning to FIG. 1, shown therein is an illustrative view of a plurality of different ornamental decorative items **10** which can be used as toilet **12** flush handles by using the mounting hardware of the present invention.

Shown are examples of solid core and hollow core ornamental decorative items which can be used functional after being mounted to the toilet bowl **12** flush mechanism using the mounting device of the present invention.

Turning to FIG. 2, shown therein is a cutaway illustration of the present invention **14** in use, shown is a partial side view of the typical toilet **12** having the manufacturer's handle removed and a threaded shaft **16** having thereon two rotatively mounted members **18**. The selected ornamental decorative article **10** has a hollow interior **40**. The first rotative member **18** having hinged divergent arm members **30** is inserted into the cavity **40** whereupon the divergent arm members **30** are used in conjunction with the second member rotative disc **36** to frictionally engage the wall **25** of the ornamental decorative article **10**. Also shown is the toilet tank wall **20**, the lift arm **22**, and the toilet tank cover **24**.

Turning to FIG. 3, shown therein is an exploded view of the ornamental toilet flush handle **10** as shown in FIG. 2. The present invention **14** is comprised of a threaded shaft **16** having two members mounted thereon. The first member **18** has a collar **26** with a centrally positioned threaded aperture **28** (not visible) for selectively positioning the first member **18** on the threaded shaft **16**. The collar **26** has two oppositely positioned springs **27** attached to the exterior surface of the collar **26** having each leg member **30** fixedly positioned to divergent arm members **30**. The arm members **30** have threads **32** on their external surfaces so that the divergent arms **30** can be pressed to the body of the threaded shaft **16** whereby the divergent arms **30** will permit the device to be used in much the same fashion as a screw. Conventional mounting hardware **54** is also shown, along with fastener **56** and nut **58**.

As illustrated the decorative item **10** has no interior structure. The present invention **14** mounting hardware device having a first rotative member **18** having divergent arm members **30** which can be inserted into a user supplied aperture **34** whereupon the divergent arm members **30** will flair out once inside the decorative object **10** similar to a conventional molly bolt. The second mounted member is a disc **36** having a centrally positioned threaded aperture **38** therethrough. The second mounted member **36** can be advanced toward the arms **30** of the first mounted member **18** until the wall **25** of the ornamental decorative item **10** is fixedly secured between the two mounted members **18, 36** whereby it is secured by locking set screw **60** in the conventional manner. Lift arm **22** is also shown along with other conventional mounting hardware **54** including a threaded fastener **56** and nut **58**.

Turning to FIG. 3A, therein is shown is an illustrative view of the ornamental decorative article **10** which will be used instead of the manufacturer's toilet flush handle having a user supplied access aperture **34** therein. Also shown is the central shaft member **16** having the first rotative member **18** mounted thereon. The divergent hinged attached arms **30** can be compressed to insert the threadably mounted first member **18** into the ornamental decorative articles **10** cavity **40** whereby the first members **18** divergent arms **30** will extend to a fully open at rest position. Collar **26** and spring **27** are also shown whereby springs **27** oppositely urge arms **30** away from each other.

Turning to FIG. 4, shown therein is a continued illustrative view of the method and device for mounting the

8

ornamentally decorative seashell **10** onto the present invention **14** mounting hardware whereby the ornamentally decorative seashell **10** can be used in place of the manufacturer's supplied flush handle.

Once the first rotative member **18** having divergent arm members **30** thereon is positioned within the cavity **40** of the decorative article **10** having the arm **30** in a fully extended at rest position, then the second mounted member **36** can be advanced toward the first mounted member **18** until the decorative item **10** is fixedly contained between the two mounted members **18, 36**. The decorative object **10** can be further fixedly attached by applying an amount of adhesive **50** (not visible) to the contact points between the first and second mounting members **18, 36** and the decorative figurine **10** or by injecting an expandable foam material **52** (not shown) which will provide rigidity for the hollow core **40** of the decorative article **10**.

Turning to FIG. 5, shown therein is a continued illustrative view of the method and device for mounting the ornamentally decorative seashell **10** onto the present invention **14** mounting hardware whereby the ornamentally decorative seashell **10** can be used in place of the manufacturer's supplied flush handle.

Shown is the decorative handle **10** installed in place of the manufacturer's handle. The means for securing the seashell using the threadably mounted first **18** and second **36** member can additionally be enhanced by the selective application of adhesive as previously disclosed. The lift arm **22** is also shown.

Turning to FIG. 6, shown therein is an illustration of an ornamental article **10** affixed to the toilet flush handle. The mounting hardware device is comprised of a threaded shaft **16** having two members mounted thereon. The first member **18** has a collar (not shown) with a centrally positioned threaded aperture for selectively positioning the first member **18** on the threaded shaft **16**. The collar has two oppositely positioned springs attached to the exterior surface of the collar having each leg member fixedly positioned to divergent arm members **30**. The arm members have threads **32** on their external surfaces so that the divergent arms **30** can be pressed to the body of the threaded shaft **16** whereby the divergent arms **30** will permit the device to be used in much the same fashion as a screw. This will enable the fastener to be threaded into a user-supplied aperture within the chosen decorative object **10**. Further the decorative object **10** can be fixedly attached to the device by applying an amount of adhesive on the divergent arms prior to mounting the decorative object **10** thereon.

Turning to FIG. 7, shown therein is an additional illustration of an ornamental article **10** affixed to the toilet as the flush handle similar to FIG. 6.

What is claimed to be new and desired to be protected by Letters Patent is set forth in the appended claims.

I claim:

1. An apparatus for a decorative flush handle for mounting on a mechanism of a conventional toilet bowl handle, comprising:

- a) an elongated threaded member;
- b) means for connecting said elongated threaded member to the mechanism of a conventional toilet bowl handle;
- c) a rotatable member having a collar thereon, said collar having a threaded aperture therein, said aperture for receiving said elongated threaded member, said rotatable member being mounted onto said elongated threaded member, said rotatable member being positionally adjustable by rotation on said elongated threaded member;

9

- d) a decorative item having a cavity therein for receiving said rotatable member therein;
  - e) a pair of oppositely opposing arms mounted onto said rotatable member, said pair of arms being hinged;
  - f) means for urging said pair of oppositely opposing arms away from each other; and,
  - g) means for securing said rotatable member to said decorative item whereby a wall of said decorative item is securable between said rotatable member and said means for securing.
2. The apparatus of claim 1, said means for urging said pair of oppositely opposing arms away from each other further comprising a spring means.
3. The apparatus of claim 2, said spring means further comprising at least one spring.
4. The apparatus of claim 1, said pair of oppositely opposing arms further comprise threads on the outer surface thereof, said threads being complementary to said threads on said elongated threaded member, said elongated threaded member being threadable into the body of said decorative item.
5. The apparatus of claim 1, said means for securing said rotatable member to said decorative item further comprising a disc having a centrally threaded aperture therein for receiving said elongated threaded member, said disc being positionally adjustable by rotation on said elongated threaded member.
6. The apparatus of claim 5, wherein said disc by being adjustably positioned on said elongated member secures the wall of said decorative item between said disc and said rotatable member.
7. A method for a decorative flush handle for mounting on a mechanism of a conventional toilet bowl handle, comprising the steps of:

10

- a) providing an elongated threaded member;
  - b) connecting said elongated threaded member to the conventional toilet bowl handle;
  - c) providing a first rotatable member having a collar thereon having a threaded aperture therein for receiving said elongated threaded member and then mounting said first rotatable member onto said elongated threaded member;
  - d) providing a decorative item having a cavity therein for receiving said first rotatable member therein;
  - e) mounting a pair of oppositely opposing, hinged arms onto said first rotatable member;
  - f) urging said pair of oppositely opposing arms away from each other; and,
  - g) adjustably positioning a second rotatable member on said elongated threaded member for securing the wall of said decorative item between said first rotatable member and said second rotatable member.
8. The method of claim 7, further comprising the step of threading the outer surface of said pair of oppositely opposing arms, said threads being complementary to said threads on said elongated threaded member, whereby the elongated threaded member is threadable into the body of said decorative item.
9. The method of claim 7, further comprising the step of using a spring for urging said pair of oppositely opposing arms away from each other.
10. The method of claim 9, further comprising the step of using a pair of springs.
11. The method of claim 9, further comprising the step of using a spring.
12. The method of claim 7, further comprising the step of using a disc for the second rotatable member said disc being positionally adjustable by rotation on said elongated threaded member.

\* \* \* \* \*