



US006503458B1

(12) **United States Patent**
Ogle

(10) **Patent No.:** **US 6,503,458 B1**
(45) **Date of Patent:** **Jan. 7, 2003**

(54) **AIR PURIFIER**

(76) Inventor: **William D Ogle**, 2105 Bella Coola Rd.,
Lake Waccaman, NC (US) 28450

(*) Notice: Subject to any disclaimer, the term of this
patent is extended or adjusted under 35
U.S.C. 154(b) by 0 days.

(21) Appl. No.: **09/531,809**

(22) Filed: **Mar. 21, 2000**

(51) **Int. Cl.**⁷ **A62B 7/08**

(52) **U.S. Cl.** **422/121; 422/120; 422/122;**
422/186.07

(58) **Field of Search** 422/120, 121,
422/122, 5, 186.07

(56) **References Cited**

U.S. PATENT DOCUMENTS

3,486,308 A	12/1969	Burt	
3,757,495 A *	9/1973	Sievers	250/436
3,967,927 A *	7/1976	Patterson	250/432 R
4,210,429 A *	7/1980	Golstein	422/121
4,244,710 A *	1/1981	Burger	422/121
4,794,301 A	12/1988	Misono et al.	
5,171,060 A	12/1992	Kaye	
5,230,720 A	7/1993	Kendall	
5,330,722 A *	7/1994	Pick et al.	250/436
5,616,172 A	4/1997	Tuckerman et al.	

* cited by examiner

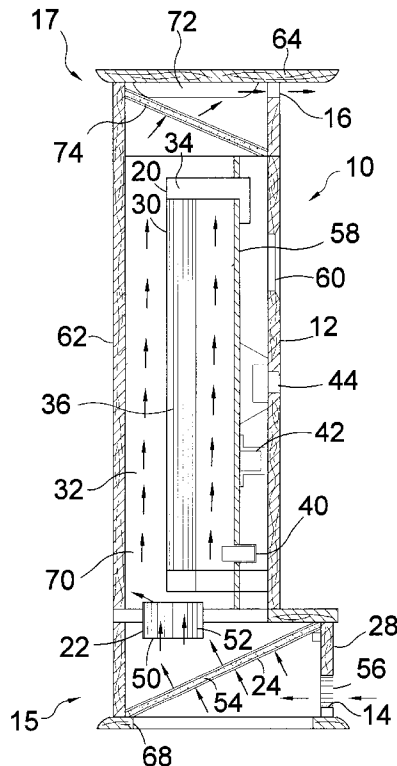
Primary Examiner—Krisanne Thornton

(74) *Attorney, Agent, or Firm*—Michael I. Kroll

(57) **ABSTRACT**

A device for purifying air within a room. The device includes a housing having a plurality of air inlet ports and a plurality of air outlet ports. An ultraviolet ray generator is positioned within the housing along with a fan for drawing air into the housing through the air inlet ports. A passageway leading from the air inlet ports and encircling the ultraviolet ray generator to the air outlet ports provides a path for air drawn into the housing. The ultraviolet rays produced by the generator kill bacteria, germs and viruses in the air passing thereby through the passageway and the passageway maximizes a distance traveled by the air through the housing and thereby maximizing exposure of the air to the ultraviolet rays. The device also generates ozone for neutralizing undesirable odors, such as stale tobacco smoke and mildew in the air drawn into the housing. First and second filter elements are positioned on opposing sides of the passageway for trapping small particles within the air drawn through said air inlet ports. The second filter element may be scented for providing a desired scent to air passing therethrough. An aperture is located in the housing adjacent the ultraviolet ray tube and further includes a viewing lens positioned to cover the aperture and thereby allow a person to look safely therethrough to determine if the ultraviolet ray tube is operating.

1 Claim, 3 Drawing Sheets



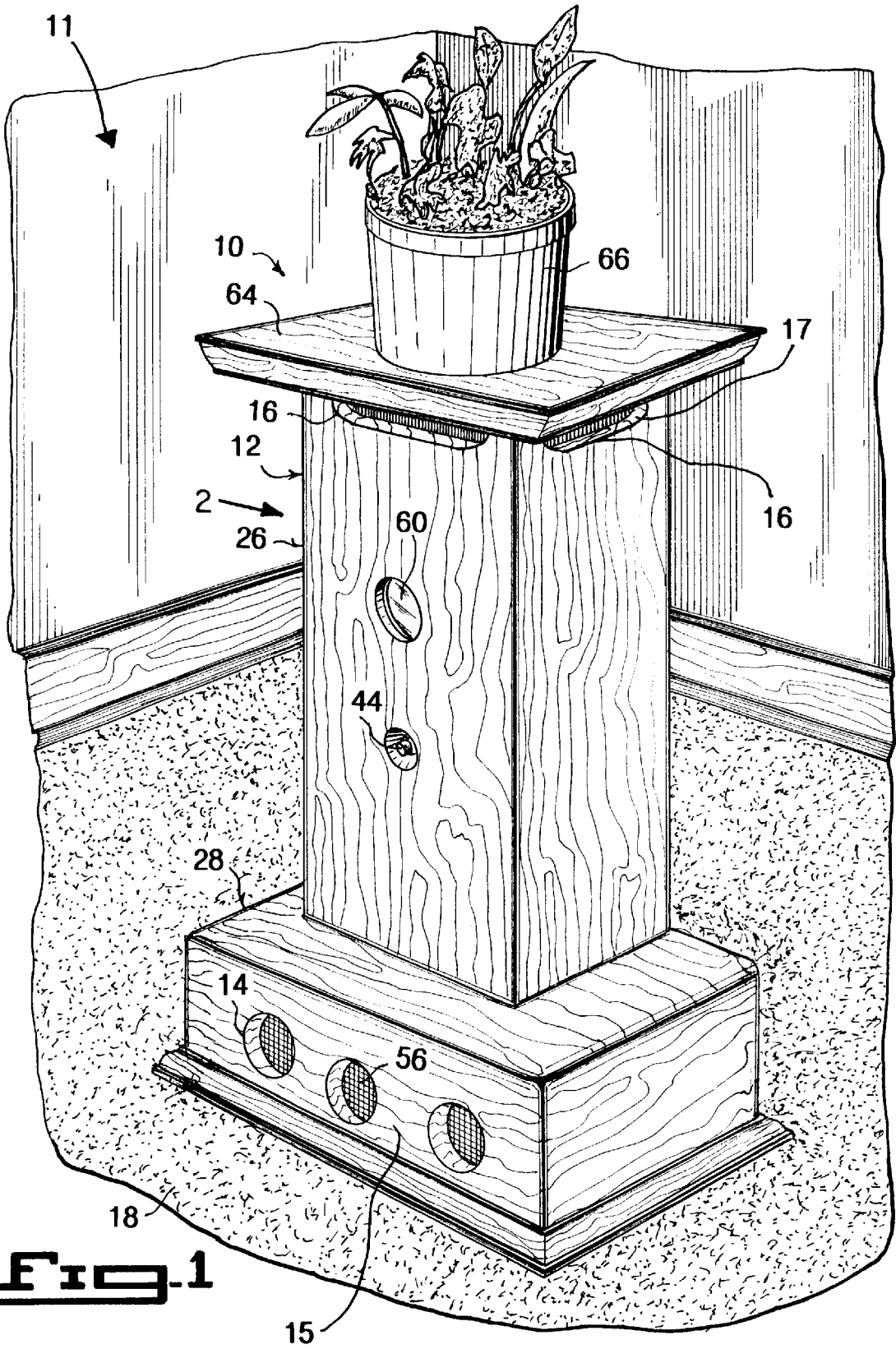


FIG. 1

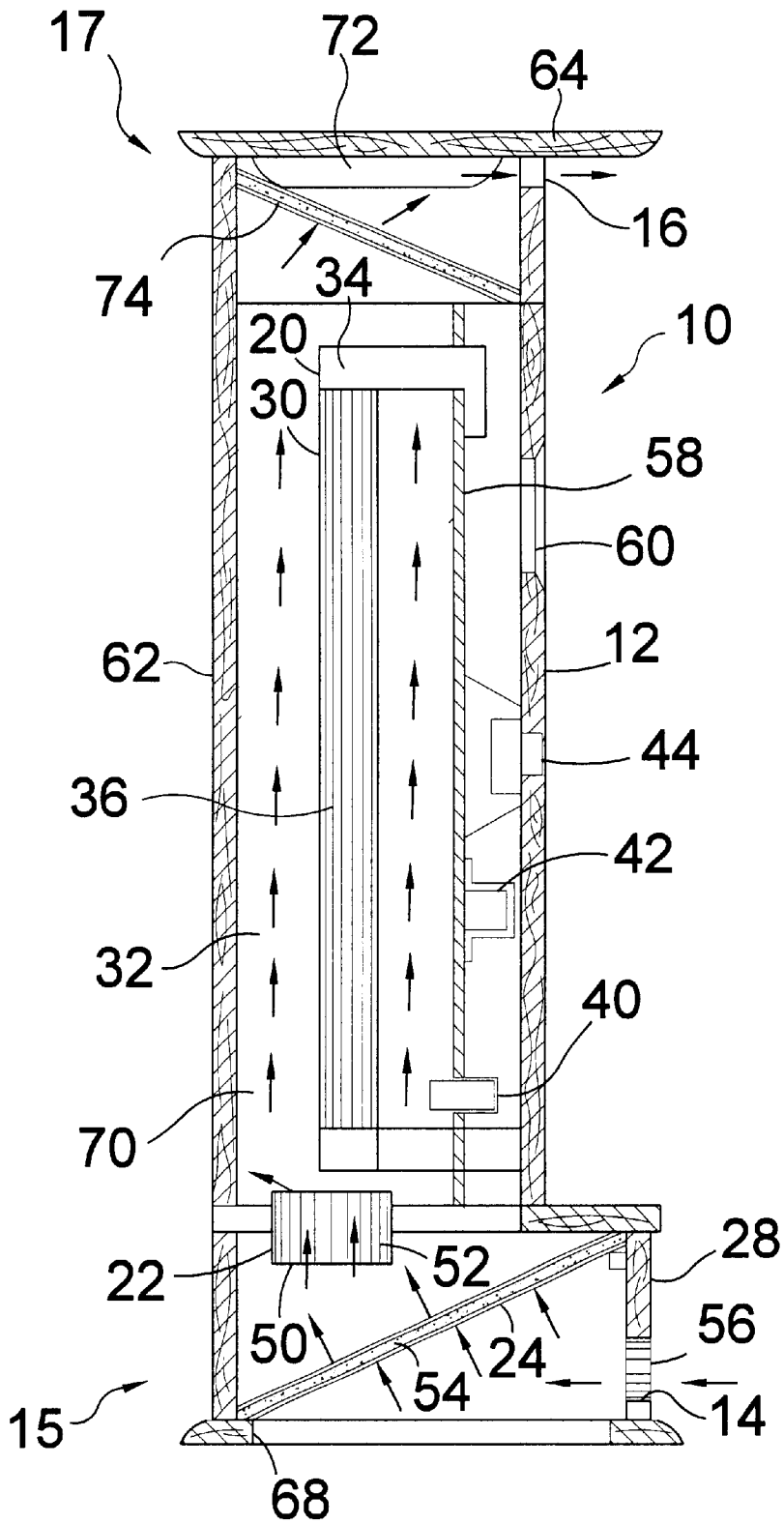


FIG 2

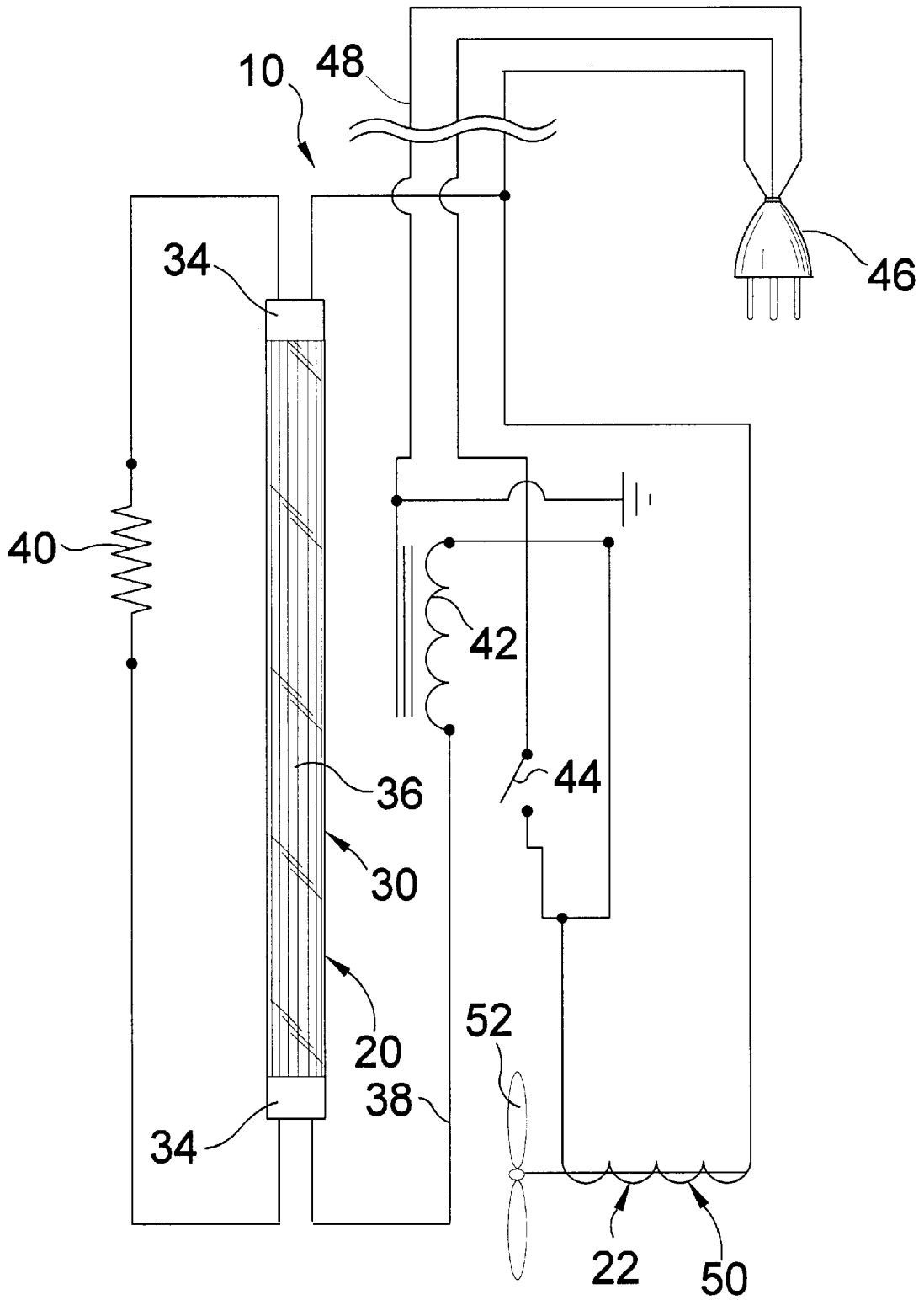


FIG 3

AIR PURIFIER

BACKGROUND OF THE INVENTION

1. Field of the Invention

The present invention relates generally to air filters and, more specifically, to a device contained within a decorative structure for removing impurities from and freshening the surrounding air using a physical filter and ultraviolet light, wherein exposure of the air drawn into the structure to the ultraviolet light is maximized.

2. Description of the Prior Art

Numerous air filters/decorative display fixtures have been provided in prior art. For example, U.S. Pat. No. 3,967,927 to Patterson; U.S. Pat. No. 4,210,429 to Golstein; U.S. Pat. No. 5,171,060 to Kaye and U.S. Pat. No. 5,330,722 to Pick et al. all are illustrative of such prior art. While these units may be suitable for the particular purpose to which they address, they would not be as suitable for the purposes of the present invention as heretofore described.

U.S. Pat. No. 3,967,927

Inventor: Lawrence Patterson

Issued: Jul. 6, 1976

An ultraviolet lamp fixture for purifying the air within a room by means of passing the air over a plurality of hot cathode or other commercially available ultraviolet ray tubes. The tubes are mounted vertically within a decoratively covered, easily movable, pole-mounted housing having a motorized fan which moves air through an opening in the lower portion of the housing over the tubes for purification. The purified air stream is exhausted through the top portion of the housing and returned to the room. The interior of the housing has deflector vanes which function to create a turbulent air flow in the area of the tubes to insure that all of the air passing through the lamp fixture is purified by contacting the lamps. The lamp fixture is provided with means for filtering the circulating air. In an alternate embodiment, the air passes through a dehumidifier prior to passing by the tubes.

U.S. Pat. No. 4,210,429

Inventor: Jerome J. Goldstein

Issued: Jul. 1, 1980

A room air purifier for quietly removing irritating or harmful impurities from the air circulating within the room. The purifier removes from room air, particles down to 0.3 microns in size with 99.9% efficiency. The air purifier comprises a somewhat elongated upright housing having an easily-removable back, a two-speed blower that is preferably AC operated and disposed at the bottom of the housing, a pair of vertically disposed ultraviolet lamps and associated means for powering the lamps including push button switch means, and preferably three separate filters including a pre-filter disposed at the inlet of the blower, a highly efficient main filter element vertically stacked over the blower and lamps and a charcoal filter disposed over the main filter element. The blower sucks the air in the bottom of the purifier through the pre-filter and up adjacent to the lamps to the main filter element and charcoal filter, and from there the purified air passes to a top baffle cover where the air is exited in preferably four directions from the purifier.

U.S. Pat. No. 5,171,060

Inventor: Howard Kaye

Issued: Dec. 15, 1992

An ornament displaying article of furniture having a weight-bearing surface member and pedestal base has a

supporting substantially cylindrical and preferably transparent column releasably connected to the weight-bearing surface member. The appearance of the column may be altered with an agglomeration or reflective fill material, such as marbles, which may be exchanged by detaching the column from the weight-bearing surface member. In a preferred embodiment a light source irradiates light reflective or light radiant material of the fill.

U.S. Pat. No. 5,330,722

Inventors: William E. Pick and Kerby F. Fannin

Issued: Jul. 19, 1994

A germicidal air purifier for trapping and destroying airborne microorganisms is disclosed. The air purifier includes an ultraviolet radiation source and a juxtaposed filter medium. One ultraviolet radiation source and filter medium is fixed and the other is displaceable, so that at least an upstream side of the filter medium is systematically exposed to germicidal levels of radiation. In a first preferred embodiment, a fixed ultraviolet lamp irradiates a cylindrical air filter which is rotated on its longitudinal axis in close proximity to the lamp, so that the upstream side of the filter is systematically irradiated. In a second preferred embodiment, a radiant lamp fixture is moved reciprocally across an upstream side of a planar filter, to systematically irradiate the filter. In a third preferred embodiment, a radiant lamp fixture is rotated about an axis which is orthogonal to its longitudinal midpoint, so that a circular area of a planar filter is irradiated. The advantage is that microorganisms trapped on the filters are exposed to a lethal dose of radiation and the air purifier is consistently effective at destroying a significant percentage of airborne microorganisms suspended in the air passed through the filter.

SUMMARY OF THE INVENTION

The present invention relates generally to air filters and, more specifically, to a device contained within a decorative structure for removing impurities from and freshening the surrounding air using a physical filter and ultraviolet light, wherein exposure of the air drawn into the structure to the ultraviolet light is maximized.

A primary object of the present invention is to provide an air purifier that will overcome the shortcomings of the prior art devices.

Another object of the present invention is to provide an air purifier which is able to disinfect the air in the surrounding atmosphere, particularly in a sick-bay, to reduce the spread of infectious disease.

An additional object of the present invention is to provide an air purifier which emits ozone, a powerful oxidizing agent, for neutralizing undesirable odors, such as stale tobacco smoke and mildew.

A still further object of the present invention is to provide an air purifier which will expose air drawn therein to ozone and ultraviolet rays for a maximum possible amount of time.

An even further object of the present invention is to provide an air purifier including a passageway extending therethrough and surrounding the source of ozone and ultraviolet light through which air entering the purifier will flow.

A yet further object of the present invention is to provide an air purifier including a filter positioned at the inlet port for further purifying the air.

A still further object of the present invention is to provide an air purifier including a component for drawing air into the air purifier at the input port.

A further object of the present invention is to provide an air purifier that is simple and easy to use.

A yet further object of the present invention is to provide an air purifier that is economical in cost to manufacture.

Further objects of the invention will appear as the description proceeds.

A device for purifying air within a room is disclosed by the present invention. The device includes a housing having a plurality of air inlet ports and a plurality of air outlet ports. An ultraviolet ray generator is positioned within the housing along with a fan for drawing air into the housing through the air inlet ports. A passageway leading from the air inlet ports and past the ultraviolet ray generator to the air outlet ports provides a path for air drawn into the housing. The ultraviolet rays produced by the generator kill bacteria, germs and viruses in the air passing thereby through the passageway. The passageway maximizes a distance traveled by the air through the housing thereby maximizing exposure of the air to the ultraviolet rays. The device also generates ozone for neutralizing undesirable odors, such as stale tobacco smoke and mildew in the air drawn into the housing. A first filter element is positioned on a side of the passageway for trapping small particles within the air drawn through the air inlet ports. A second filter element may be scented for providing a desired scent to air passing therethrough and positioned on a side of the passageway opposite the first filter element. An aperture is located in the housing adjacent the ultraviolet ray tube and further includes a viewing lens positioned to cover the aperture and thereby allow a person to look safely therethrough to determine if the ultraviolet ray tube is operating.

To the accomplishment of the above and related objects, this invention may be embodied in the form illustrated in the accompanying drawings, attention being called to the fact, however, that the drawings are illustrative only, and that changes may be made in the specific construction illustrated and described within the scope of the appended claims.

BRIEF DESCRIPTION OF THE DRAWINGS

Various other objects, features and attendant advantages of the present invention will become more fully appreciated as the same becomes better understood when considered in conjunction with the accompanying drawings, in which like reference characters designate the same or similar parts throughout the several views, and wherein;

FIG. 1 is a perspective view of the instant invention being used as a flower stand in a room;

FIG. 2 is a side view of the instant invention per se taken in the direction of arrow 2 in FIG. 1, with parts broken away and in section; and

FIG. 3 is a schematic diagram of the electrical circuitry thereof.

LIST OF REFERENCE NUMERALS

Turning now descriptively to the drawings, in which similar reference characters denote similar elements throughout the several views, the Figures illustrate the air purifier of the present invention. With regard to the reference numerals used, the following numbering is used throughout the various drawing figures.

- 10 air purifier of the present invention
- 11 room in which air purifier is positioned

- 12 housing of air purifier
- 14 air inlet port in housing
- 15 bottom side of housing
- 16 air outlet port in housing
- 17 top side of housing
- 18 floor
- 20 ultraviolet ray/ozone producing facility of air purifier
- 22 air drawing component of air purifier
- 24 small particle trapping element of air purifier
- 26 elongated enclosed cabinet of housing
- 28 hollow base member of housing
- 30 ultraviolet lamp assembly for ultraviolet ray/ozone producing facility
- 32 elongated chassis of ultraviolet lamp assembly
- 34 lamp holder of ultraviolet lamp assembly
- 36 ultraviolet ray tube of ultraviolet lamp assembly
- 38 electric circuit of ultraviolet lamp assembly
- 40 starter of ultraviolet lamp assembly
- 42 ballast of ultraviolet lamp assembly
- 44 switch of ultraviolet lamp assembly
- 46 plug of ultraviolet lamp assembly
- 48 electric cord of ultraviolet lamp assembly
- 50 blower for air drawing component
- 52 motorized fan of blower
- 54 high efficiency filter pad
- 56 polyester screen on air inlet port
- 58 aperture in elongated chassis
- 60 viewing lens in housing
- 62 removable back panel of housing
- 64 flat top plate of housing
- 66 flower pot on flat top plate
- 68 bottom access opening in housing
- 70 passageway
- 74 scented filter

DETAILED DESCRIPTION OF THE PREFERRED EMBODIMENT

Turning now descriptively to the drawings, in which similar reference characters denote similar elements throughout the several views, FIGS. 1 through 3 illustrate an air purifier indicated generally by the numeral 10.

The air purifier 10 of the present invention is illustrated in FIG. 1 positioned within a room 11 of a structure and sculpted so as to blend in with the decor of the room 11. The air purifier 10 has a housing 12 forming the shape of a stand for retaining items such as a plant, flower pot 66 or other ornamental object thereon and is designed to sit securely on a flat horizontal surface such as the floor 18 of the room 11. The housing 12 includes a plurality of air inlet ports 14 positioned on a bottom side 15 thereof and a plurality of air outlet ports 16 positioned on a top side 17 thereof. Each air inlet port 14 includes a screen 56 positioned thereover, to help stop large particles in the dust from entering the housing 12. The bottom side 15 of the housing 12 forms a base 28 and the top side 17 has a flat top surface 64 thereon. The base 28 and the flat top surface 64 are connected together by an elongated midsection 26 forming a cabinet therein. An air purifying system is retained within the midsection 26 as will be described herein with reference to FIGS. 2 and 3. The air purifying system communicates with the ambient atmosphere via the air inlet port 14 on the base side 15 and air outlet ports 16 on the top side 17 of the housing 12.

While a preferred structure and shape for the housing 12 is shown and described herein, those of ordinary skill in the art who have read this description will appreciate that there are numerous other structures and shapes for the housing 12

and, therefore, as used herein the phrase “means for retaining the air purifying system therein” should be construed as including all such structures as long as they achieve the desired result of retaining the air purifying system therein, and therefore, that all such alternative mechanisms are to be considered as equivalent to the one described herein.

A switch **44** is positioned to extend from a side of the elongated cabinet **26** for turning the air purifier **10** between an “ON” state and an “OFF” state. When the switch **44** turns the air purifier **10** on, the air purifying system causes air to be drawn in to the housing **12** through the air inlet ports **14**. The air drawn through the air inlet ports **14** travels through the elongated cabinet **26**, past the air purifying system and back to the atmosphere surrounding the air purifier **10** through the air outlet ports **16**. A viewing lens **60** is also provided in the elongated cabinet **26** to allow a person to see the air purifying system and thereby indicate that the air purifier **10** is on and the air purifying system is operating. The viewing lens **60** is able to sufficiently deflect ultraviolet rays generated by the air purifying system so as to not affect or injure the eyes of a person looking thereat.

A facility **20** within the housing **12**, is for producing ultraviolet rays and ozone as shown in FIGS. **2** and **3**. A component **22** within the housing **12** between the facility **20** and the air inlet ports **14**, is for drawing air in through the air inlet ports **14** and directing the air towards the facility **20**. Extending from the component **22** and through the elongated cabinet **26** is a passageway **70**. The passageway **70** encircles the facility **20** and extends to the top side **17** of the housing **12**.

The housing **12** includes the elongated enclosed cabinet **26** positioned between and connecting the base **28** and the top side **17** of the air purifier. The elongated enclosed cabinet **26** supports the ultraviolet ray producing facility **20** therein. The hollow base member **28** has the air inlet ports **14** extending through a side thereof. The hollow base member **28** supports the elongated enclosed cabinet **26** in an upright position, and includes the first filter element therein for capturing and retaining particles within the air drawn through the air inlet ports. The air drawing component **22** is held by the hollow base member directly below the ultraviolet ray producing facility **20**. The first filter element **24** includes a high efficiency filter pad **54** and is positioned within the base **28** of the housing **12** between the air inlet ports **14** and the air drawing component **22** for trapping small particles, such as pollen and dust, from the air drawn through the air inlet ports **14**. The base **15** also contains a bottom access opening **68**, as shown in FIG. **2**. The access opening **68** allows for the high efficiency filter pad **54** to be removed and replaced when needed by simply lifting the housing off of the floor **18**.

The passageway **70** is positioned to extend through the elongated enclosed cabinet **26** on a side of the air drawing component opposite the first filter element **24** for receiving air drawn through the first filter element **24**. The passageway **70** encircles the facility **20** completely and allows the air drawn therethrough to be exposed to ultraviolet rays produced by the facility **20** on all sides of the facility **20**. Thus, the path of the air through the elongated enclosed cabinet **26** is extended to a maximum possible distance allowing for longer exposure to the ultraviolet rays and ozone to enhance the filtering of the air. A removable back panel **62** is also provided on the elongated enclosed cabinet **26**. When the back panel **62** is removed, the ultraviolet ray tube **36** can be removed and replaced when needed. The path traveled by air drawn into the air purifier **10** is illustrated in FIG. **2** by the arrows extending therethrough in the form of a line.

The top side **17** is positioned at a side of the passageway **70** opposite the base **15** for receiving the air passing through the passageway **70**. The top side **17** includes the air outlet ports **16** providing a passage for filtered and purified air to return to the outside of the air purifier **10**. An optional second filter element **74** is shown positioned in the top side **17** between the second air drawing component and the air outlet ports **16** for further filtering the air passing through the air outlet ports **16**. The second filter **74** may be scented for freshening and providing an odor to the air as it passes therethrough. The scented filter **74** provides a form of aroma therapy by scenting the air with a desired odor. Odors which the air may be scented include but are not limited to popourri, cherry, strawberry, lemon, pine, peppermint, vanilla, etc. The ultraviolet rays being produced kill bacteria, germs and viruses in the air drawn through the housing **12**, while at the same time the ozone being produced will neutralize undesirable odors, such as stale tobacco smoke and mildew in the air drawn through the housing **12**. When a scented filter **74** is positioned in the top side **17** to further filter the air, the air exiting through the air outlet ports **17** will not only be clean but also fresh scented. The housing **12** further includes a flat top plate **64** mounted on the cabinet **26** above the air outlet ports **16**. The top flat plate is removably connected to the elongated enclosed cabinet **26** for allowing the second filter element **74** to be removed.

The ultraviolet ray producing facility **20** is an ultraviolet lamp assembly **30**. The ultraviolet lamp assembly **30** consists of an elongated chassis **32** mounted vertically within the housing **12**. A lamp holder **34** is positioned within the chassis **32**, while an ultraviolet ray tube **36** is held within the lamp holder **34**. The ultraviolet ray producing facility **20** is also able to produce ozone for further purifying the air. The lamp assembly **32** and holder **34** is positioned within a central region of the passageway **70**. This allows the air drawn through the passageway **70** to flow around the lamp assembly **30** and be irradiated by the ultraviolet rays produced thereby at all points along its travel through the passageway **70**. The chassis **32** has an aperture **58** located adjacent the ultraviolet ray tube **36**. The viewing lens **60** being a blue/green borosilicate glass is carried in the housing **12** in front of the aperture **58** of the chassis **32**. This allows a person to look safely through the viewing lens **60**, to determine if the ultraviolet ray tube **36** is operating when the switch **44** is turned on.

The electric circuit **38** for powering the air drawing component **22** and the ultraviolet ray producing facility **20** is shown in FIG. **3**. A starter **40** is electrically connected via the electric circuit **38** to the lamp holder **34**. A ballast **42** is electrically connected via the electric circuit **38** to the lamp holder **34**. A switch **44** on the housing **12** is electrically connected via the electric circuit **38**, between the ballast **42** and the air drawing component **22**. A plug **46** on an electric cord **48** is electrically connected to the electric circuit **38**, to engage with a wall socket to receive electricity therefrom. The air drawing component **22** is a blower **50** being a motorized fan **52**, for forcing the air through the housing **12**. The air drawing component **22** is connected to receive electricity from the wall socket through the plug **46**.

The operation of the air purifier **10** will now be described with reference to the figures. In operation, the air purifier **10** is first assembled by placing the first and second filter elements **22** and **74** in position in the base and top sides **15** and **17** respectively. The air purifier **10** is then positioned at a desired location in a room **11** and the plug **46** is connected to a wall outlet. The air purifier **10** is now ready for operation.

In order to turn the air purifier **10** ON, the button **44** positioned on the front side of the elongated enclosed cabinet **236** is activated. Activation of this button **44** will cause the ultraviolet lamp assembly **30** to turn on and begin generating ultraviolet rays and ozone. The air drawing component **22** is also be turned on to draw air into the housing.

The air drawing component **22** will draw air through the air inlet ports **14** and through the first filter element **24**. The first filter element **24** will act to remove large particles from the air. The size of particles removed from the air is dependent upon the coarseness of the filter used. A very fine filter will act to remove particles of smaller size while a coarse filter will remove particles of a larger size. The air drawn through the first filter element **24** will then be directed to the passageway **70**. The passageway provides a path for the air to travel through the elongated enclosed cabinet **26**.

The passageway **70** forms a path along and around the ultraviolet lamp assembly **30** along which the air travels. As the air passes through the passageway **70**, it is irradiated by the ultraviolet rays produce by the ultraviolet lamp assembly **30** and thus filtered. The passageway **70** extends the distance the air must travel through the elongated enclosed cabinet **26** and thus increases the exposure time of the air to the ultraviolet rays and ozone thereby more effectively filtering the air. The ultraviolet rays being produced kill bacteria, germs and viruses in the air drawn through the housing **12**, while at the same time the ozone being produced will neutralize undesirable odors, such as stale tobacco smoke and mildew in the air drawn through the housing **12**.

Once through the passageway **70**, the air is passed through a second filter element **74**. The second filter element **74** may be scented for freshening and providing an odor to the air as it passes therethrough. The scented filter **74** will provide a form of aroma therapy by scenting the air with a desired odor. Odors which the air may be scented include but are not limited to popourri, cherry, strawberry, lemon, pine, peppermint, vanilla, etc. When the scented filter **74** is positioned in the tip side **17** to further filter the air, the air exiting through the air outlet ports **17** will not only be clean but also fresh scented, The fresh scented and filtered air is then provided to the outside of the air purifier through the air outlet ports **16**. The air drawn into the air purifier **10** follows the path indicated by the arrows shown in FIG. 2. The path followed by the arrows illustrates the air passing through the air inlet ports **14** and first filter element **24** to the passageway **70**. The air then passes along the path created by the passageway **70** to the top side **17** where the air passes through the second filter element **74** and through the air outlet ports **16** to the ambient atmosphere. Thus, the air in a room occupied by the air purifier **10** is able to be cleaned, filtered and scented.

From the above description it can be seen that the air purifier of the present invention is able to overcome the shortcomings of prior art devices by providing an air purifier which is able to disinfect the air in the surrounding atmosphere, particularly in a sick-bay, to reduce the spread of infectious disease and emits ozone, a powerful oxidizing agent, for neutralizing undesirable odors, such as stale tobacco smoke and mildew. The air purifier includes a passageway extending therethrough and surrounding the source of ozone and ultraviolet light through which air entering the purifier will flow in order to expose air drawn therein to the ozone and ultraviolet rays for a maximum possible amount of time. The air purifier also includes filters positioned at least at the inlet port and optionally at the outlet port for further purifying the air and a component for

drawing into the air purifier at the input port. Furthermore, the air purifier of the present invention is simple and easy to use and economical in cost to manufacture.

It will be understood that each of the elements described above, or two or more together may also find a useful application in other types of methods differing from the type described above.

While certain novel features of this invention have been shown and described are pointed out in the annexed claims, it is not intended to be limited to the details above, since it will be understood that various omissions, modifications, substitutions and changes in the forms and details of the device illustrated and in its operation can be made by those skilled in the art without departing in any way from the spirit of the present invention.

Without further analysis, the foregoing will so fully reveal the gist of the present invention that others can, by applying current knowledge, readily adapt it for various applications without omitting features that, from the standpoint of prior art, fairly constitute essential characteristics of the generic or specific aspects of this invention.

What is claimed is new and desired to be protected by Letters Patent is set forth in the appended claims:

1. A device for purifying air within a room, said device consisting of:

- a) a housing having a plurality of air inlet ports and a plurality of air outlet ports, said housing including a hollow base member having said air inlet ports positioned thereon, a top side and an elongated cabinet connecting said base and said top side with said top side overhanging said cabinet, with said air outlet ports located in said elongated cabinet adjacent to and below the overhanging top side, each of said air inlet ports having a polyester screen for aiding in preventing large particles in the air from entering said housing;
- b) means for generating ultraviolet rays and ozone positioned within said housing;
- c) means for drawing air into said housing through said air inlet ports being a motorized blower for forcing air through said housing;
- d) a passageway leading from said air inlet ports and encircling said generating means to said air outlet ports providing a path for air drawn into said housing by said drawing means, the air making a single pass by and around said generating means, whereby the ultraviolet rays produced by said generating means purify the air passing thereby through said passageway, while ozone produced by the generating means neutralizes undesirable odors in the air drawn through said housing, said passageway maximizing a distance traveled by the air through said housing and exposure of the air to said ultraviolet rays and ozone;
- e) a first filter element being a high efficiency filter pad and positioned within said base between said air drawing means and said air inlet ports for trapping small particles within the air drawn through said air inlet ports, said first filter element filter pad being planar in shape and oriented at an isosceles angle to the horizontal so that air entering the inlet ports pass through the inlet filter pad and turn upwardly;
- f) said generating means being a single ultraviolet lamp assembly comprising an elongated chassis mounted vertically within said housing, a lamp holder positioned in said chassis, an ultraviolet ray tube positioned in said lamp holder, an electric circuit, a starter electrically connected via said electric circuit to said lamp holder,

9

a ballast electrically connected via said electric circuit to said lamp holder, a switch on said housing electrically connected via said electric circuit between said ballast and said air drawing means, and a plug on an electric cord electrically connected to said electric circuit to engage with a wall socket to receive electric-
ity therefrom;

- g) a second filter element positioned in said housing adjacent said top side member between said passageway and said outlet ports for further filtering air which has passed through said passageway, said second filter element being planar and oriented at an isosceles angle with respect to the horizontal so that air passing through said second filter element makes a right angle turn to exit through said outlet ports, and said second filter element being scented for providing a desired

10

scent to air passing therethrough, the scent being one of potpourri, cherry, strawberry, lemon, lime, peppermint and vanilla;

- h) said housing having an aperture located adjacent said ultraviolet ray tube and further including a viewing lens of blue/green borosilicate glass positioned to cover said aperture and thereby allow a person to look safely therethrough to determine if said ultraviolet ray tube is operating when said switch is turned on, a removable back panel for selectively replacing said ultraviolet ray tube, said top side having a flat top plate for retaining articles placed thereupon, and said base further including a bottom access opening for selectively replacing said high efficiency filter pad.

* * * * *