



US006568643B2

(12) **United States Patent**
Black

(10) **Patent No.:** **US 6,568,643 B2**
(45) **Date of Patent:** **May 27, 2003**

(54) **ADJUSTABLE BOTTLE HOLDER**

(76) Inventor: **Patrick T Black**, 6 Brookside Dr.,
Huntington, NY (US) 11743

(*) Notice: Subject to any disclaimer, the term of this
patent is extended or adjusted under 35
U.S.C. 154(b) by 0 days.

(21) Appl. No.: **10/059,876**

(22) Filed: **Jan. 29, 2002**

(65) **Prior Publication Data**

US 2002/0166926 A1 Nov. 14, 2002

Related U.S. Application Data

(60) Provisional application No. 60/289,945, filed on May 9,
2001.

(51) **Int. Cl.**⁷ **A47D 15/00**; A61J 9/06

(52) **U.S. Cl.** **248/105**; 248/102; 248/106

(58) **Field of Search** 248/102, 105,
248/106, 125.1, 205.5, 123.11, 125.8, 180.1

(56) **References Cited**

U.S. PATENT DOCUMENTS

2,412,426 A * 12/1946 Rayko 248/105

2,470,694 A	*	5/1949	Foo	248/1
2,881,999 A	*	4/1959	Mitchell	248/106
2,912,200 A	*	11/1959	Reinhorn	248/103
2,989,278 A	*	6/1961	Hyman	
4,156,391 A	*	5/1979	Ubezio	108/136
4,458,870 A	*	7/1984	Duncan	248/279
4,706,915 A	*	11/1987	Cincric	248/122
4,869,381 A	*	9/1989	Agner	215/11.1
5,098,049 A	*	3/1992	van Vlaardingen	248/123.1
6,073,788 A	*	6/2000	Stroud	215/11.1
6,343,807 B1	*	2/2002	Rathbun	280/276

* cited by examiner

Primary Examiner—Anita King

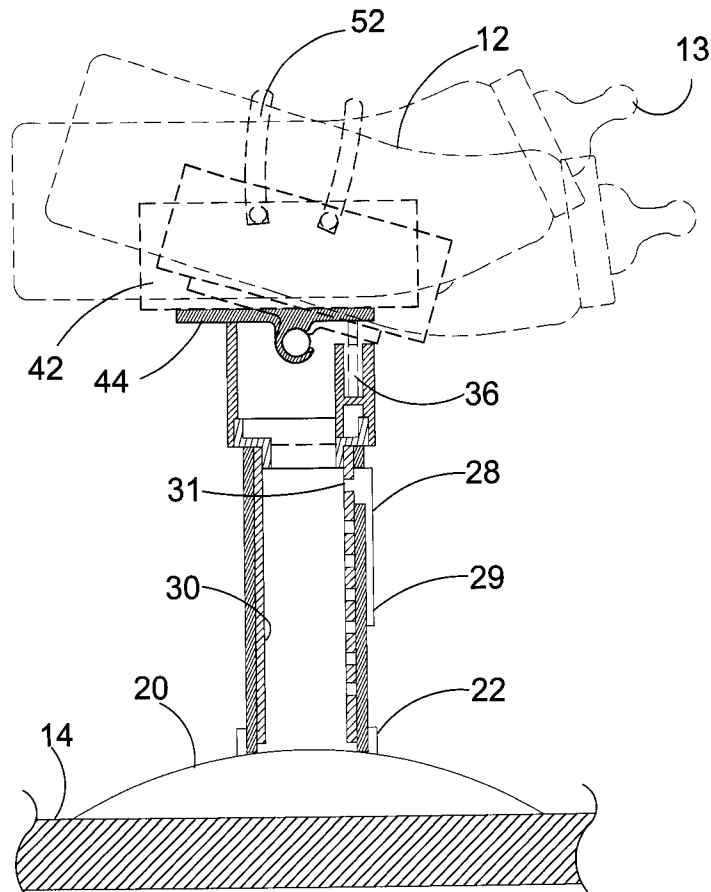
Assistant Examiner—Amy J. Sterling

(74) *Attorney, Agent, or Firm*—Michael I. Kroll

(57) **ABSTRACT**

A device positions a bottle close to the user's mouth, while automatically returning the bottle to a more upright position when released by the mouth. The device attaches to a horizontal surface such as a high chair tray and uses a spring mechanism for the automatic return. The height is adjustable.

10 Claims, 10 Drawing Sheets



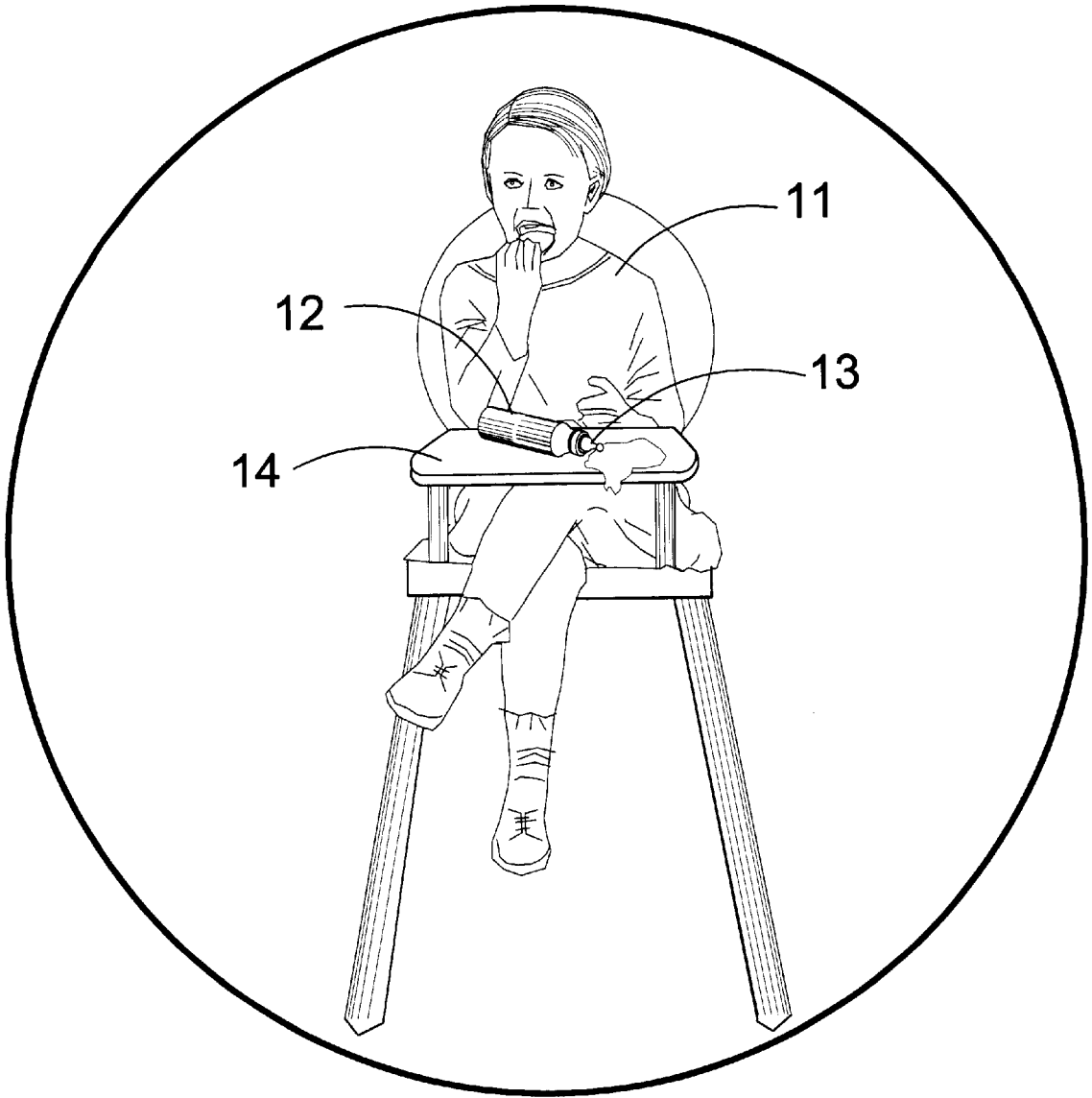


FIG. 1

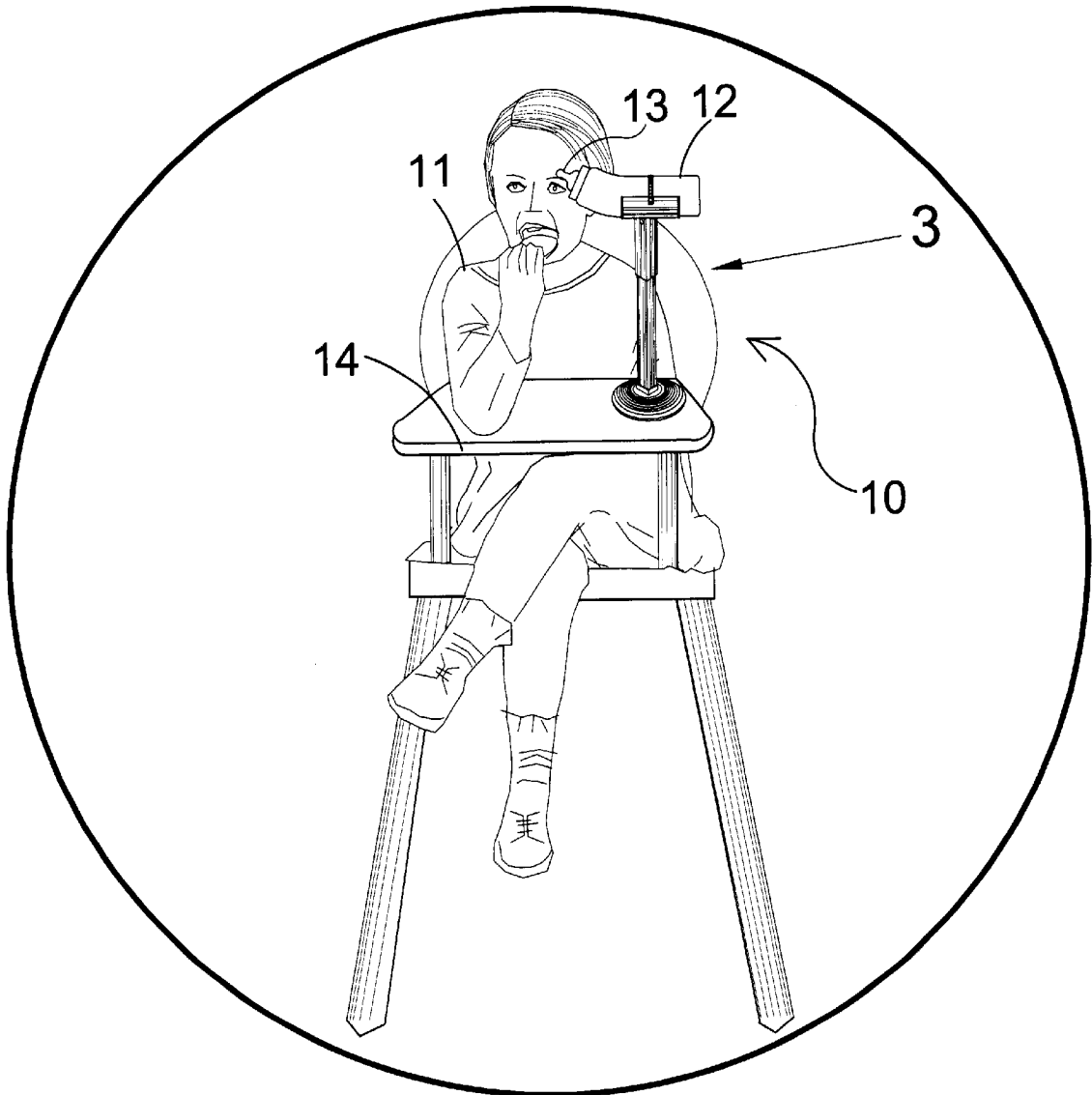
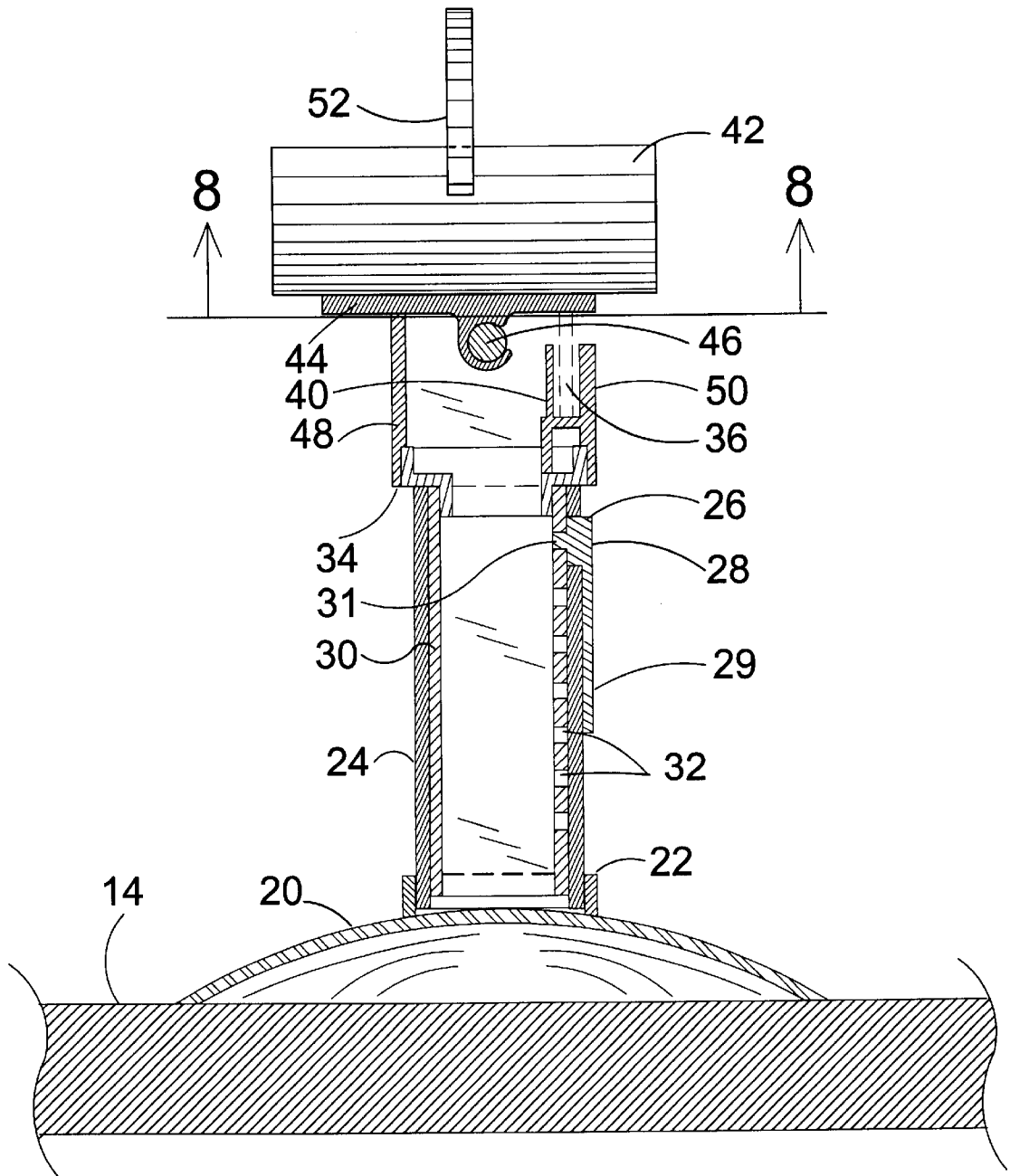


FIG. 2



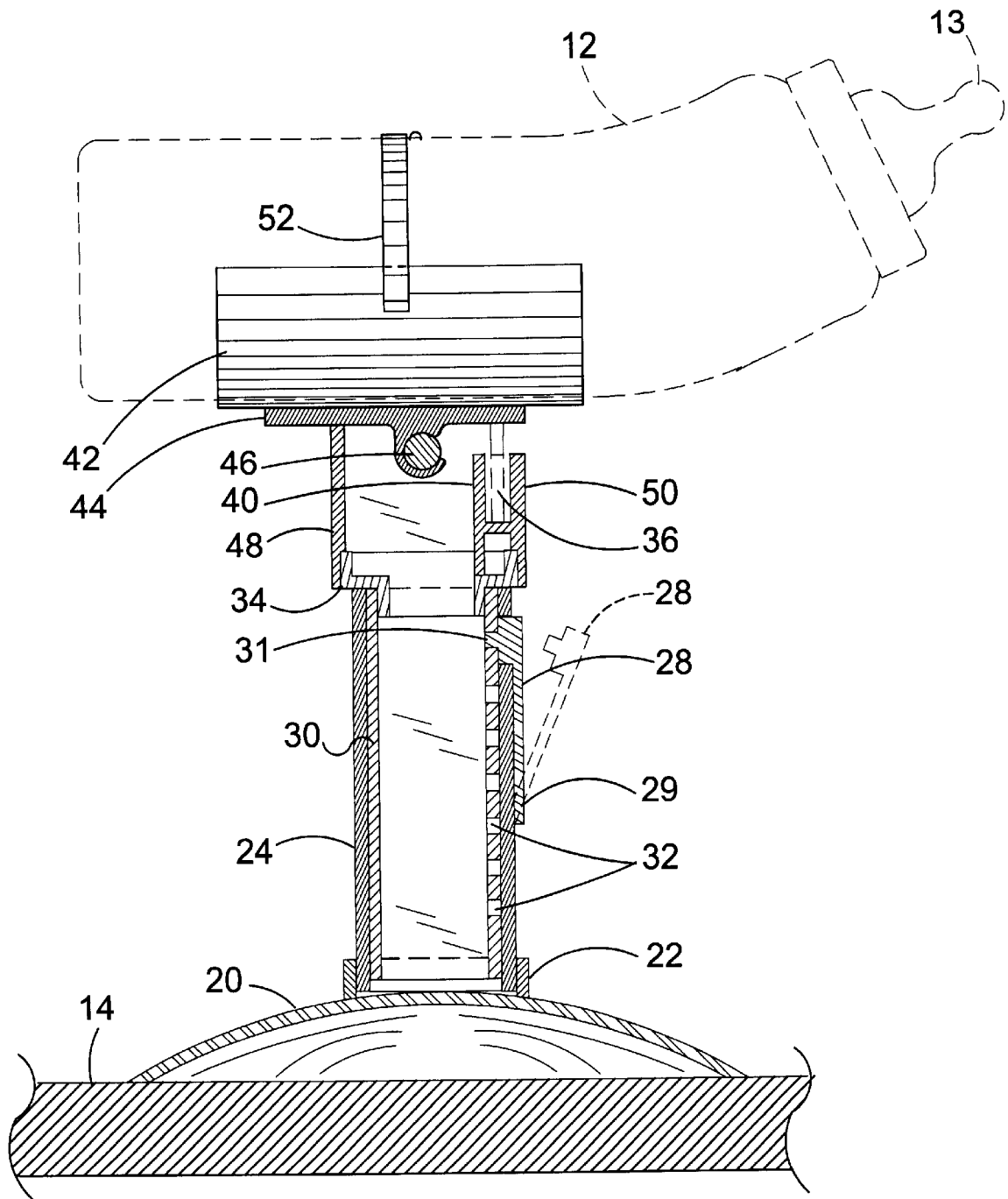


FIG. 4

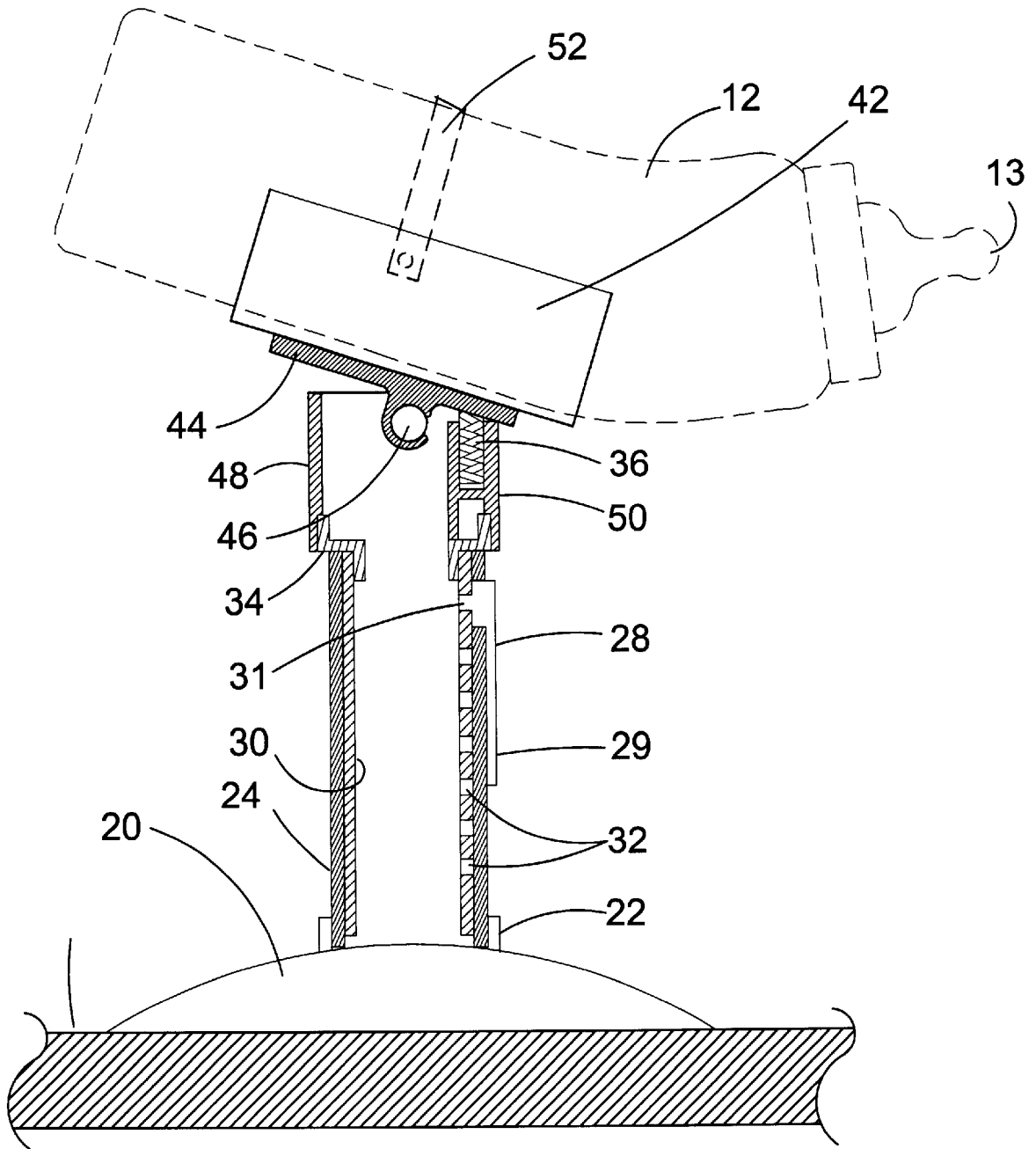


FIG. 5

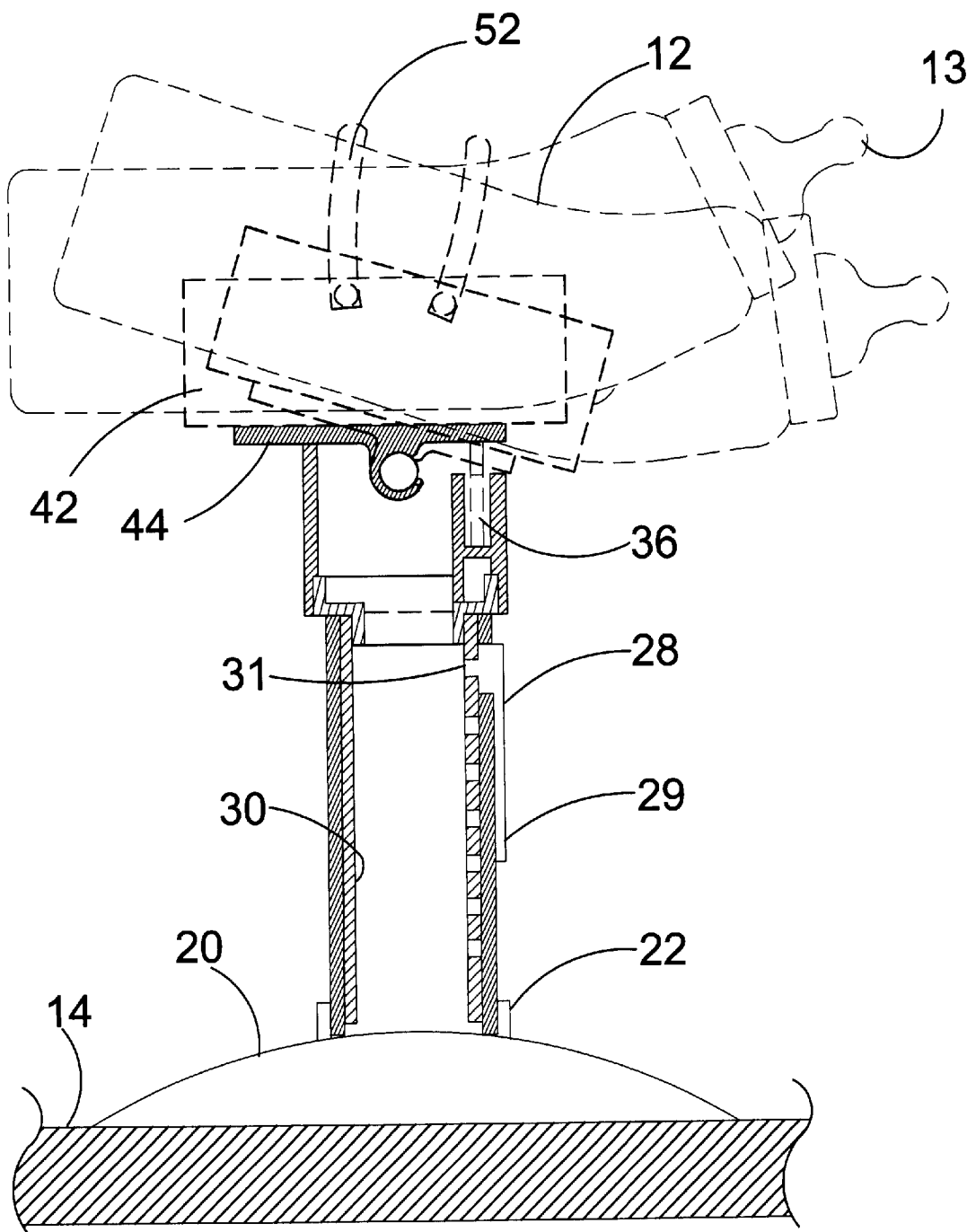


FIG. 6

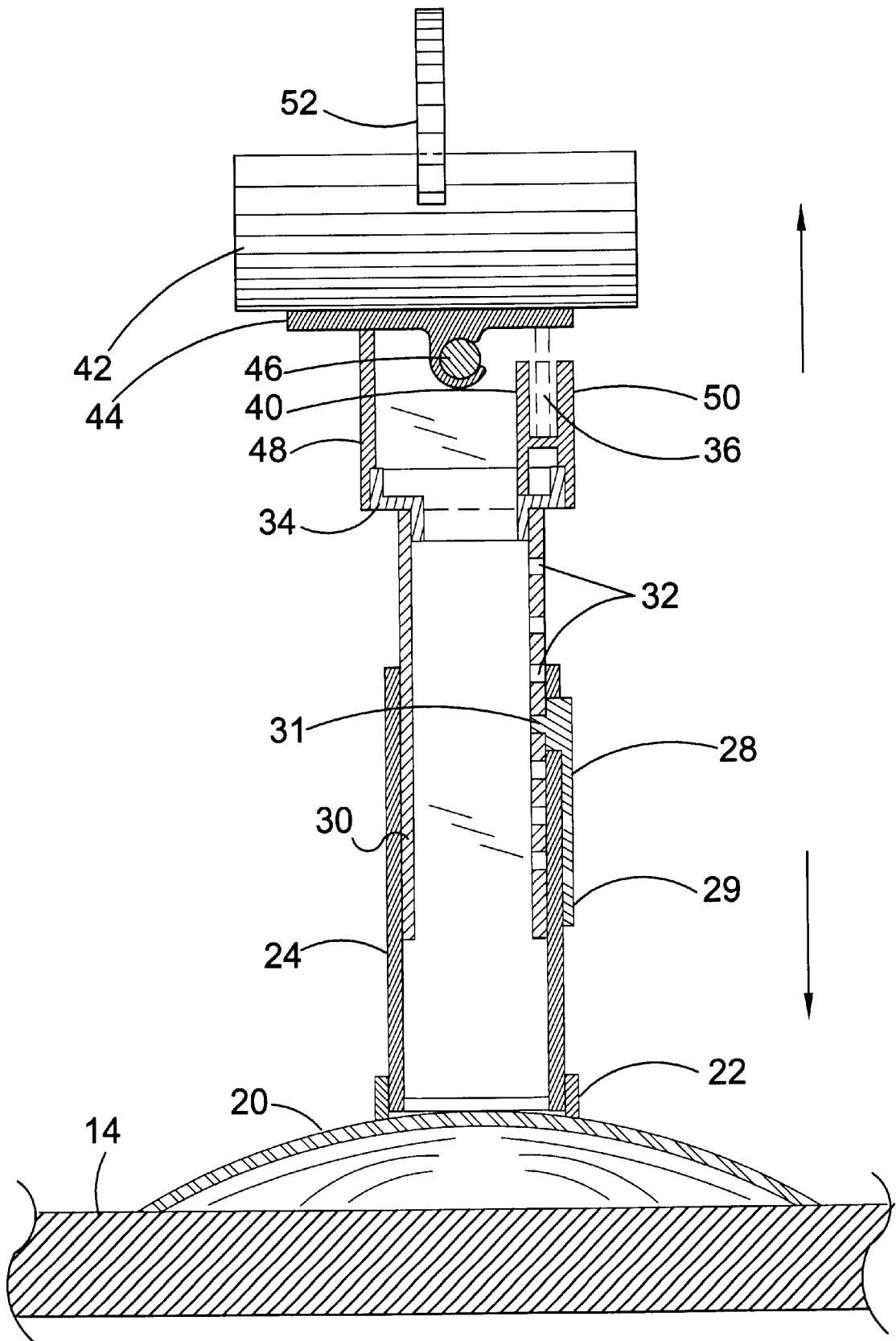


FIG. 7

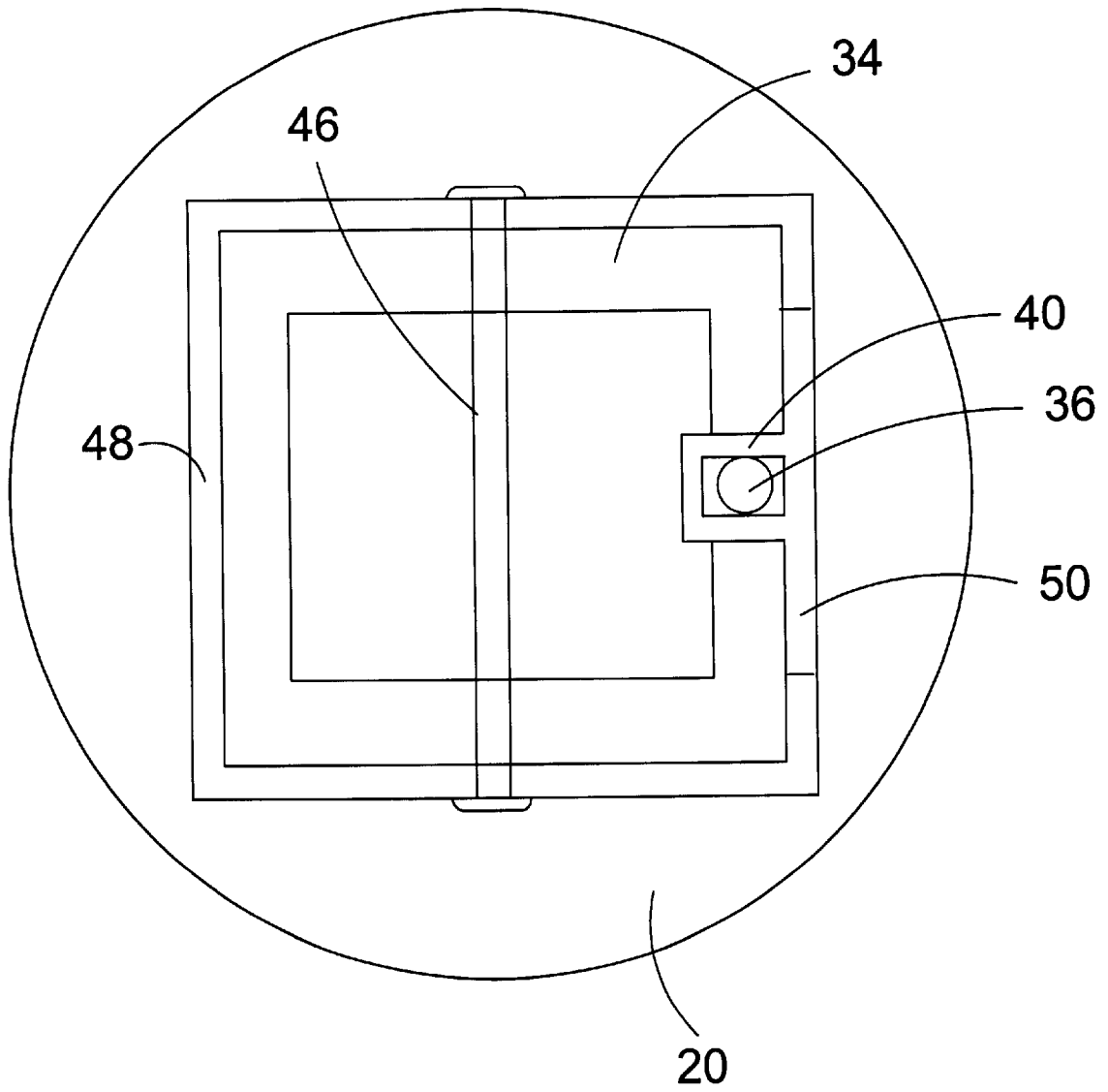


FIG. 8

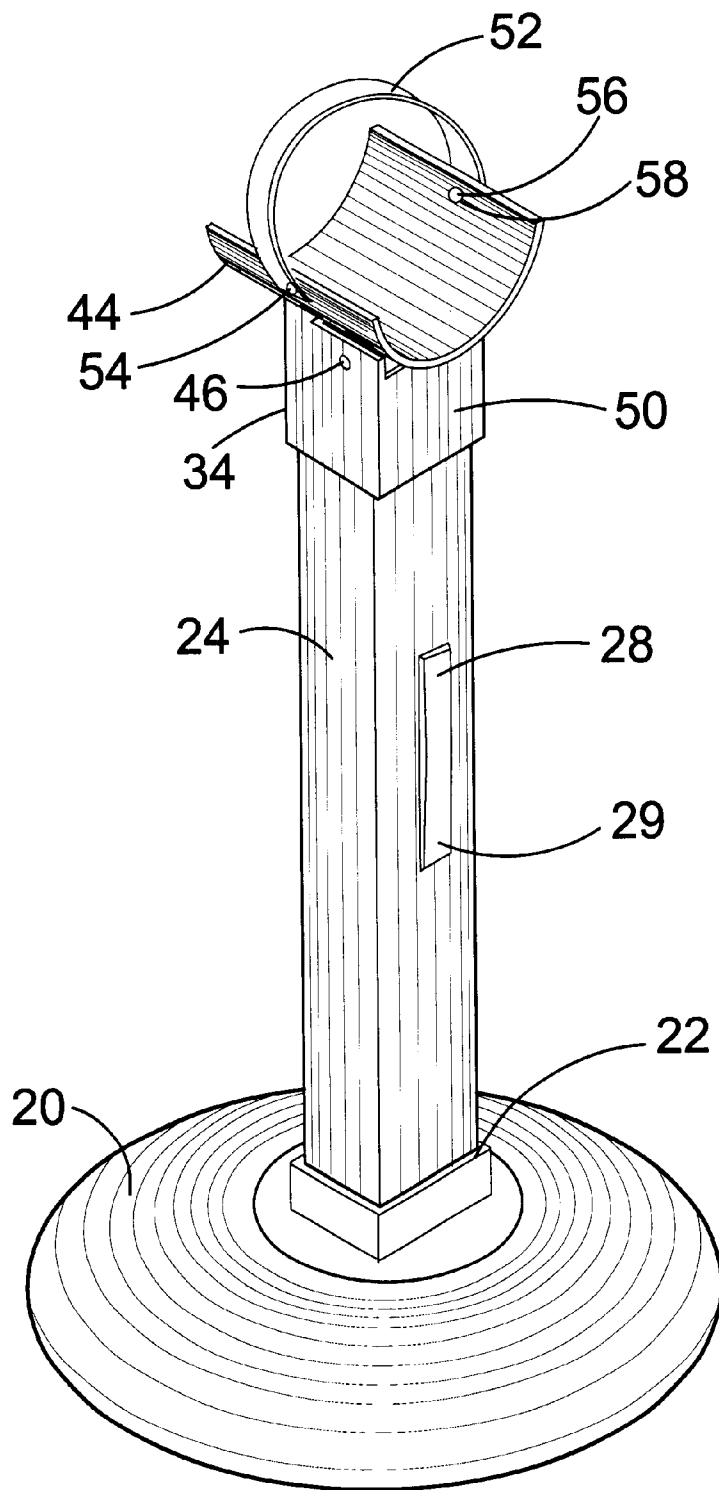


FIG. 9

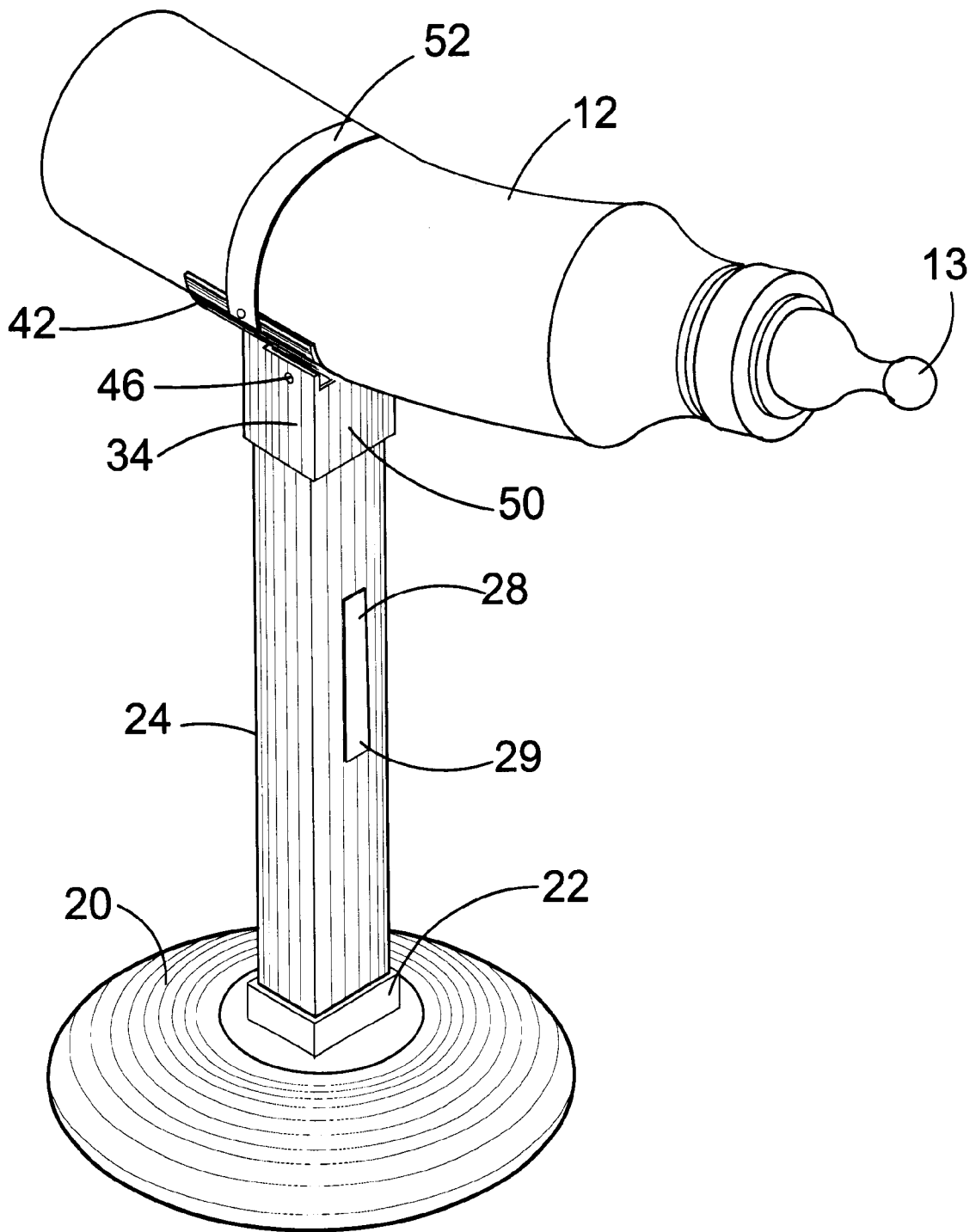


FIG. 10

ADJUSTABLE BOTTLE HOLDER

This application is subject to U.S. provisional application serial No. 60/289,945, filed May 9, 2001 and please incorporate by reference all information in referenced provisional application into this instant application.

BACKGROUND OF THE INVENTION**Field of the Invention**

The present invention relates generally to bottle holders and, more specifically, to a bottle holding device that can be placed onto a surface within reach of an intended user and adjusted to a comfortable position for the user consuming the contents contained within the bottle without the aid or assistance of another individual, and without having the bottle in a position such that the contents will be expelled from the bottle when not in use or undesired by the user.

While there are other bottle holding devices that may be suitable for the purposes for which they were designed, such devices would not be as suitable for the purposes of the present invention, as hereinafter described. What is needed is an adjustable bottle holder that positions a bottle such that the user, such as a small child, can place his or her mouth on the bottle opening, such as a nipple, while the bottle is downwardly pointed, and which also automatically positions the bottle in a substantially horizontal or upwardly pointed direction when the bottle opening is released by the mouth.

SUMMARY OF THE PRESENT INVENTION

A primary object of the present invention is to provide a bottle holding device that can be placed onto a surface within reach of an intended user and adjusted to a comfortable position for the user who desires to consume the contents contained within the bottle without the aid or assistance of another individual.

Another object of the present invention is to provide a bottle holding device that is adjusted to a comfortable position without having the bottle in a position such that the contents thereof will be expelled from the bottle when not in use or undesired by the user.

Still yet another object of the present invention is to provide a bottle holding device intended for toddlers or people that are bedridden.

Yet another object of the present invention is to provide a bottle holding device with a telescoping housing for height adjustment.

Additional objects of the present invention will appear as the description proceeds.

The present invention overcomes the shortcomings of the prior art by providing a bottle holding device that can be fixed onto a surface within reach of an intended user, such as a small child, and adjusted to a comfortable position for the user who desires to consume the contents contained within the bottle without the aid or assistance of another individual, and without having the bottle in a position such that the contents thereof will be expelled from the bottle when not in use or undesired by the user. The bottle holder of the present invention is intended for toddlers or people that are bed ridden and has a holding mechanism to hold a bottle containing a consumable liquid. The bottle holder is adjustable and has a return mechanism spring to return the bottle holder to a preset position so that the contents of the bottle are not expelled. The device includes a telescoping mechanism that adjusts the device in a controlled up and down motion, locking at a position desirable to the user.

My invention provides a device for positioning a bottle on a horizontal surface, the bottle having a mouthpiece for user consumption of liquid contents, comprising: a base, the base being fixable to the surface; a first stand member and a second stand member, the stand members telescoping between at least two fixed positions, the first stand member being fixed to the base; a bottle support assembly having a platform for supporting the bottle, and a fastener for securing the bottle to the platform, the support assembly being hingedly fixed to the second stand member, and a spring positioned in cooperating relationship with the second stand member and the bottle support assembly, such that the spring biases the support assembly to a first position, the support assembly being hingedly movable to a second position upon loading the spring, the bottle mouthpiece being lower in the support assembly second position than the first.

In one embodiment, the first stand member has a hole and a height adjustment member, the height adjustment member having a stud, and further wherein the second stand member has a plurality of holes, each hole aligning, in turn, with the first stand member hole as the first and second stand members telescope, each hole being sized to receive the height adjustment member stud when aligned with the first stand member hole, the height adjustment member being resiliently bendable to remove the stud from the first stand member hole and the second stand member hole.

In one embodiment, the mouthpiece is a nipple.

In one embodiment, the bottle is curved along its longitudinal axis.

In one embodiment, the spring is a coiled spring, the coiled spring being wound as the bottle support assembly is moved to the second position.

In one embodiment, the spring is a cylindrical helical spring, the spring being loaded into compression as the bottle support assembly is moved to the second position.

In one embodiment, the first stand member is fixed to the base at an acute angle to the surface.

In one embodiment, the first stand member is fixed to the base at a substantially vertical angle.

In one embodiment, the base is deformable and creates a suction attachment to the surface when the base is deformably compressed against the surface.

In one embodiment, the bottle support assembly, when in the first position, is in an upward orientation with respect to the horizontal surface, the orientation being above the horizontal and less than or equal to the vertical.

There is provided a device for positioning a bottle on a horizontal surface, the bottle having a mouthpiece for user consumption of liquid contents, comprising: a base and attachment means for fixing the base to the surface; support means for supporting a bottle, the support means having fastener means for fastening the bottle to the support means; elevation means for elevating the support means above the base, the elevation means further comprising height adjustment means for adjusting the degree of elevation; rotation means for rotating the support means between a first and second position such that the mouthpiece is lower in the second position than in the first position; and spring means for automatically returning the support means from the second position to the first position.

In one embodiment, the base attachment means further comprises suction means for creating suction between the base and the horizontal surface.

My invention provides a device for positioning a bottle on a horizontal surface, the bottle having a nipple for user

consumption of liquid contents, comprising: a base, the base being deformable and fixable to the surface by suction; a first stand member and a second stand member, the stand members telescoping, the first stand member being fixed to the base, the first stand member having a hole and an attached height adjustment member, the height adjustment member having a stud, and further the second stand member having a plurality of holes, each hole aligning, in turn, with the first stand member hole as the first and second stand members telescope, each hole being sized to receive the height adjustment member stud when aligned with the first stand member hole, the height adjustment member being resiliently bendable to remove the stud from the first stand member hole and the second stand member hole, the second stand member also having a bore; a bottle support assembly having a platform for supporting the bottle and a fastener for securing the bottle to the platform, the support assembly being hingedly fixed to the second stand member; and a spring positioned in the second stand member bore such that the spring bears upon the support assembly, the support assembly being biased in response to the spring to a first position, the support assembly being hingedly movable to a second position upon loading the spring, the nipple being lower in the support assembly second position than the first.

The foregoing and other objects and advantages will appear from the description to follow. In the description, reference is made to the accompanying drawings, which form a part hereof, and in which is shown by way of illustration specific embodiments in which the invention may be practiced. These embodiments will be described in sufficient detail to enable those skilled in the art to practice the invention, and it is to be understood that other embodiments may be utilized and that structural changes may be made without departing from the scope of the invention. In the accompanying drawings, like reference characters designate the same or similar parts throughout the several views.

The following detailed description is, therefore, not to be taken in a limiting sense, and the scope of the present invention is best defined by the appended claims.

BRIEF DESCRIPTION OF THE DRAWING FIGURES

In order that the invention may be more fully understood, it will now be described, by way of example, with reference to the accompanying drawings in which:

FIG. 1 an illustrative view of a prior art device. There are many ways of administering a bottle to a toddler, some hold the bottle while the toddler is feeding and some people prop the bottle up against objects such as themselves or a pile of blankets or a pillow.

FIG. 2 is an illustrative view of the present invention in use. The bottle holder of the present invention can be placed onto a surface within reach of an intended user and adjusted to a comfortable position for the user who desires to consume the contents contained in the bottle without the aid or assistance of another individual, and without having the bottle in a position such that the contents thereof will drip from the bottle when not in use or undesired by the user.

FIG. 3 is shown is a sectional side view of the present invention.

FIG. 4 is a sectional side view of the present invention with the bottle shown in broken line.

FIG. 5 is a partial sectional view of the present invention with the spring mechanism compressed. Shown is the bottle holder of the present invention in a feeding position. When

the pressure is released the spring will cause the bottle to return to its starting position.

FIG. 6 is a partial sectional view of the bottle in the first and second positions.

FIG. 7 is a sectional view of the present invention in a higher position, the height adjustment member stud being directed into a lower hole in the movable stand member.

FIG. 8 is a partial sectional top view taken along cutting plane 8—8 shown on FIG. 3.

FIG. 9 is a perspective view of the device with the bottle removed and the fastener open.

FIG. 10 is a perspective view of the device with the bottle in place.

DESCRIPTION OF THE REFERENCED NUMERALS

Turning now descriptively to the drawings, in which similar reference characters denote similar elements throughout the several views, the figures illustrate the present invention. With regard to the reference numerals used, the following numbering is used throughout the various drawing figures.

- 10 Bottle Holder of the present invention
- 11 child
- 12 bottle
- 13 bottle nipple
- 14 high chair tray surface
- 20 base
- 22 base platform
- 24 fixed stand member
- 26 fixed stand member hole
- 28 height adjustment member
- 29 height adjustment member lower end
- 30 movable stand member
- 31 height adjustment member adjustment stud
- 32 movable stand member hole
- 34 movable member upper portion
- 36 spring
- 40 upper portion spring bore
- 42 bottle holding tray
- 44 bottle holding tray support
- 46 bottle holding tray support hinge pin
- 48 upper portion rear wall
- 50 upper portion front wall
- 52 bottle holding tray fastener
- 54 bottle holding tray fastener hinged end
- 56 bottle holding tray fastener snap stud
- 58 bottle holding tray hole

DETAILED DESCRIPTION OF EXEMPLARY EMBODIMENTS OF THE INVENTION

The following discussion describes in detail exemplary embodiments of the invention. This discussion should not be construed, however, as limiting the invention to those particular embodiments. Practitioners skilled in the art will recognize numerous other embodiments as well. For a definition of the complete scope of the invention, the reader is directed to the appended claims.

As shown in FIGS. 1, it is typical for a small child 11 to use a bottle 12 with a nipple 13, with the bottle 12 often being toppled over onto a high chair tray surface 14 with accompanying spills. FIGS. 2-9 illustrate the bottle holder 10 of the present invention, with FIG. 2 showing the holder 10 positioned on the high chair tray surface 14, using an upswept bottle 12. FIG. 3 shows that the holder 10 has a

suction base **20** for fixing the holder **10** into position on the high chair tray surface **14**. Extending upwardly from the base **20** is a generally square platform **22** for securing a vertically oriented, and generally square stand member **24**, the stand member **24** being fixedly inserted into the platform **22**. The fixed stand member **24** has a hole **26** in one side. Attached to the fixed stand member **24** is a height adjustment member **28** that is attached at a lower end **29**, and has an upper end stud **31** sized to fit the fixed stand member hole **26**.

Closely received by the fixed stand member **24** is a movable stand member **30**, with spaced holes **32**, as shown in FIG. 3. These holes **32** receive the height adjustment member stud **31**. The degree to which the movable stand member **30** telescopes out of the fixed stand member **24**, is determined by the movable stand member hole **32** chosen to receive the height adjustment member stud **31**. A lower hole **32** will elevate the movable stand member **30** to a higher position, as shown in FIG. 7.

The movable stand member **30** spreads, in collar-like fashion, to an upper portion **34**. As shown in FIG. 3, a spring **36** is positioned within a bore **40** formed within the movable stand member upper portion **34**. FIG. 8 provides a top view showing the position of the bore **40**.

A bottle holding tray **42**, shown in FIG. 3 and FIG. 8, is cradle-shaped and is held by a support **44** that is hinged to the movable stand member upper portion **34** by hinge pin **46**. The support **44** is positioned to hingedly move against an upper portion rear wall **48** and an upper portion front wall **50**, the front wall **50** being shorter in height than the rear wall **48**.

FIG. 8 depicts the bottle holding tray **42** and a strap-like fastener **52** having a hinged end **54** and a stud **56**. The fastener **52** tightly secures the bottle **12** within the tray **42**, with the fastening completed by inserting the stud **56** into a hole **58** in the bottle holding tray **42**, as shown in FIG. 9.

As shown in FIG. 4, the spring bore **40** positions the spring **36** in an off-centered position within the upper portion **34** and proximate the shortened front wall **50**. In this position, the spring **36** is biased against the support **44**, holding the support **44** substantially horizontal, and thereby holding the bottle holding tray **42** and bottle **12** in a substantially horizontal position.

The spring **36** is gauged to be readily compressible by the very young child **11**, such that the child **11** can move the bottle nipple **13** into a lower position, as shown in FIG. 5. The relative positions of the bottle **12**, when the spring **36** is alternately compressed and released, are shown simultaneously in FIG. 6.

In use, the parent secures the child **11** in a high chair or other seating position close to a steady surface such as that on the high chair tray. The parent then uses the suction base **20** to fix the base platform **22** and telescoping stand members **24,30** in a substantially upright position. (In other embodiments, the base platform is configured to extend the telescoping stand members **24,30** at a fixed or adjustable angle.)

Once the telescoping stand members **24,30** are fixed in the upright position, the parent bends the height adjustment member **28** and aligns the stud **31** with the movable stand member hole **32** that elevates the bottle holding tray **42** to the desired height. The parent then inserts the stud **31** into the holes **26,32** and the new telescopic position is secured.

The bottle **12** is then attached to the bottle holding tray **42** using the fastener **52**. The bottle **12** can be moved along the tray **42** length prior to closing the fastener **52** to aid in

positioning the bottle nipple **13** in an appropriate position with respect to the mouth of the child **11**.

The child **11**, or the parent, then pushes the bottle **12** down on the bottom nipple **13** end, thus compressing the spring **36** within the bore **40**. The bottle holding tray support **44** rotates on hinge pin **46** and encounters the movable stand upper portion front wall **50**, thus preventing the bottle nipple **13** from descending to an unacceptably low position.

While the bottle nipple **13** is in the down position, the child **11** has ready access with his or her mouth, with ordinary sucking motions being sufficient to restrain the spring **36** in the compressed position. Once the nipple **13** is released from the child's mouth the bottle **12** is moved back to the substantially horizontal position by the expansion of the spring **36**. (In other embodiments, the bottle holder tray or tray support or both are configured to position the bottle to a more vertical position.)

With respect to the above description then, it is to be realized that the optimum material and dimensional relationships for the parts of the bottle holder **10**, will include variations in size, materials, shape, and form, which will occur to those skilled in the art upon review of the present disclosure.

For example, the base **20**, telescoping stand members **24,30**, bottle holding tray **42**, and tray support **44** are, in various embodiments, constructed from various woods, metals and plastics. The stand members' cross-sections are round, triangular, rectangular, or polygonal in other embodiments.

In other embodiments, the fastener **52** is made using means such as conventional hooks, snaps, clasps, hook-and-loop material, elastic strips and ties, in lieu of the hinged fastener **52**. These embodiments include adjustable fasteners for variously sized bottles.

Similarly, in other embodiments, the height adjustment mechanism uses means such as a conventional rack and pinion gear combination adapted to the telescoping stand members for a larger variety of positions.

In other embodiments, the helical spring **36** is replaced with a coiled spring attached to the bottle holding tray support **44** and the movable stand member **30** such that the spring is wound as the bottle **12** is moved downward.

All equivalent relationships to those illustrated in the drawings and described in the specification are intended to be encompassed by the present invention.

What is claimed as new and desired to be protected by Letters Patent is set forth in the appended claims:

1. A device for positioning a bottle on a horizontal surface, comprising:

a bottle having a nipple for user consumption of liquid contents;

a base, the base being fixable to the surface;

a first stand member and a second stand member, the stand members telescoping between at least two fixed positions, the first stand member being fixed to the base;

a bottle support assembly having a platform for supporting the bottle, and a fastener for securing the bottle to the platform, the support assembly being hingedly fixed to the second stand member; and

a spring positioned in cooperating relationship with the second stand member and the bottle support assembly, such that the spring biases the support assembly to a first position, the support assembly being hingedly movable to a second position upon loading the spring,

7

the bottle nipple being lower in the support assembly second position than the first.

2. The device of claim 1, wherein the first stand member has a hole and a height adjustment member, the height adjustment member having a stud, and further wherein the second stand member has a plurality of holes, each hole aligning, in turn, with the first stand member hole as the first and second stand members telescope, each hole being sized to receive the height adjustment member stud when aligned with the first stand member hole, the height adjustment member being resiliently bendable to remove the stud from the first stand member hole and the second stand member hole.

3. The device of claim 1, wherein the spring is a coiled spring, the coiled spring being wound as the bottle support assembly is moved to the second position.

4. The device of claim 1, wherein the spring is a cylindrical helical spring, the spring being loaded into compression as the bottle support assembly is moved to the second position.

5. The device of claim 1, wherein the first stand member is fixed to the base at an acute angle to the surface.

6. The device of claim 1, wherein the first stand member is fixed to the base and is substantially vertical.

7. The device of claim 1, wherein the bottle support assembly, when in the first position, is in an upward orientation with respect to the horizontal surface, the orientation being above the horizontal and less than or equal to the vertical.

8. A device for positioning a bottle on a horizontal surface, comprising:

- a bottle having a nipple for user consumption of liquid contents;
- a base, the base being deformable and fixable to the surface by suction;
- a first stand member and a second stand member, the stand members telescoping, the first stand member being fixed to the base, the first stand member having a hole and an attached height adjustment member, the height adjustment member having a stud, and further the second stand member having a plurality of holes, each hole aligning, in turn, with the first stand member hole as the first and second stand members telescope, each hole being sized to receive the height adjustment member stud when aligned with the first stand member hole, the height adjustment member being resiliently bendable to remove the stud from the first stand member hole and the second stand member hole, the second stand member also having a bore;
- a bottle support assembly having a platform for supporting the bottle and a fastener for securing the bottle to the platform, the support assembly being hingedly fixed to the second stand member; and a spring positioned in the second stand member bore such that the spring

8

bears upon the support assembly, the support assembly being biased in response to the spring to a first position, the support assembly being hingedly movable to a second position upon loading the spring, the nipple being lower in the support assembly second position than the first.

9. A device for positioning a bottle on a horizontal surface, comprising:

- a bottle being curved along its longitudinal axis and having a mouthpiece for user consumption of liquid contents;
- a base, the base being fixable to the surface;
- a first stand member and a second stand member, the stand members telescoping between at least two fixed positions, the first stand member being fixed to the base;
- a bottle support assembly having a platform for supporting the bottle, and a fastener for securing the bottle to the platform, the support assembly being hingedly fixed to the second stand member; and
- a spring positioned in cooperating relationship with the second stand member and the bottle support assembly, such that the spring biases the support assembly to a first position, the support assembly being hingedly movable to a second position upon loading the spring, the bottle mouthpiece being lower in the support assembly second position than the first.

10. A device for positioning a bottle on a horizontal surface, comprising:

- a bottle having a mouthpiece for user consumption of liquid contents;
- a deformable base which creates a suction attachment to the surface when the base is deformably compressed against the surface, the base being fixable to the surface;
- a first stand member and a second stand member, the stand members telescoping between at least two fixed positions, the first stand member being fixed to the base;
- a bottle support assembly having a platform for supporting the bottle, and a fastener for securing the bottle to the platform, the support assembly being hingedly fixed to the second stand member; and
- a spring positioned in cooperating relationship with the second stand member and the bottle support assembly, such that the spring biases the support assembly to a first position, the support assembly being hingedly movable to a second position upon loading the spring, the bottle mouthpiece being lower in the support assembly second position than the first.

* * * * *