



US006572365B1

(12) **United States Patent**
Byxbe

(10) **Patent No.:** **US 6,572,365 B1**
(45) **Date of Patent:** **Jun. 3, 2003**

(54) **AUTOMATIC CANDLE SNUFFER**

5,511,682 A * 4/1996 Pace 220/230
5,860,725 A * 1/1999 Zer et al. 362/161
6,050,808 A * 4/2000 Schloss 126/39 E

(76) Inventor: **Justin Byxbe**, 1339 Laburnum Ave.,
Chico, CA (US) 95926

FOREIGN PATENT DOCUMENTS

(*) Notice: Subject to any disclaimer, the term of this
patent is extended or adjusted under 35
U.S.C. 154(b) by 0 days.

GB	142463	*	2/1976
JP	54-67237	*	5/1979
JP	54-72528	*	6/1979
JP	58-153020	*	9/1983
JP	60-188734	*	9/1985
JP	03-8208	*	1/1991
JP	09-63352	*	3/1997

(21) Appl. No.: **10/107,637**

(22) Filed: **Mar. 26, 2002**

(51) **Int. Cl.**⁷ **F23Q 25/00**; F21V 35/00;
F21V 25/00

* cited by examiner

(52) **U.S. Cl.** **431/33**; 431/291; 431/289

Primary Examiner—Carl D. Price

(58) **Field of Search** 431/33, 34, 35,
431/86, 88, 144-152, 291; 215/235, 236,
237; 232/44; 292/251.5; 126/25 C; 49/29,
30, 70

(74) *Attorney, Agent, or Firm*—Michael I. Kroll

(57) **ABSTRACT**

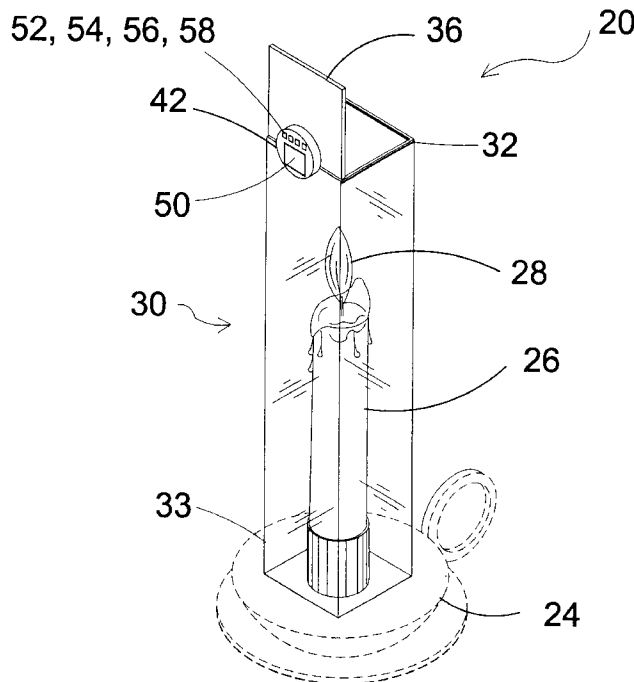
(56) **References Cited**

U.S. PATENT DOCUMENTS

147,204 A	*	2/1874	Walton	362/162
313,297 A	*	3/1885	Bunnell	431/86
578,282 A	*	3/1897	Bigby	362/180
736,538 A	*	8/1903	Newsom	431/33
897,712 A	*	9/1908	Brusseau	431/33
1,152,412 A	*	9/1915	Hanaoka	431/87
2,259,416 A	*	10/1941	Gardener	362/187
2,316,812 A	*	4/1943	Russell	200/52 R
3,905,746 A	*	9/1975	Patrikios	431/145
3,911,680 A	*	10/1975	Blanchard	446/210

An automatic candle snuffer has a heat resistant housing with a bottom end that is received and closed by a candle holder. The housing top end is open when a hinged lid is open and closed when the lid is closed. A digital timer is attached to the housing and has a fixed part of the hinge attached for selectively magnetizing and demagnetizing. The hinge also has a magnetic portion attached to the lid, such that the lid is held open by the magnetic coupling of the fixed part of the hinge and the magnetic hinge portion attached to the lid. The user selects a time for the candle to be snuffed, and the timer demagnetizes the fixed part of the hinge, whereupon the magnetic coupling is broken and gravity causes the lid to close on the housing.

25 Claims, 11 Drawing Sheets



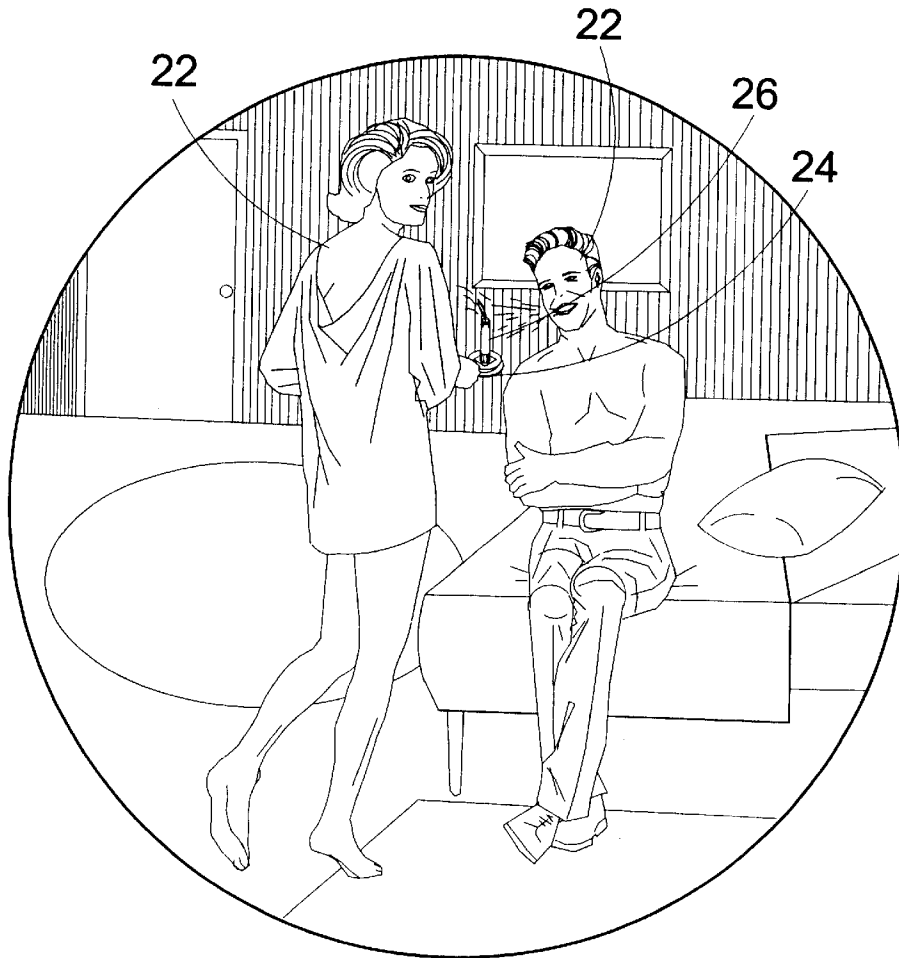


FIG 1
(PRIOR ART)

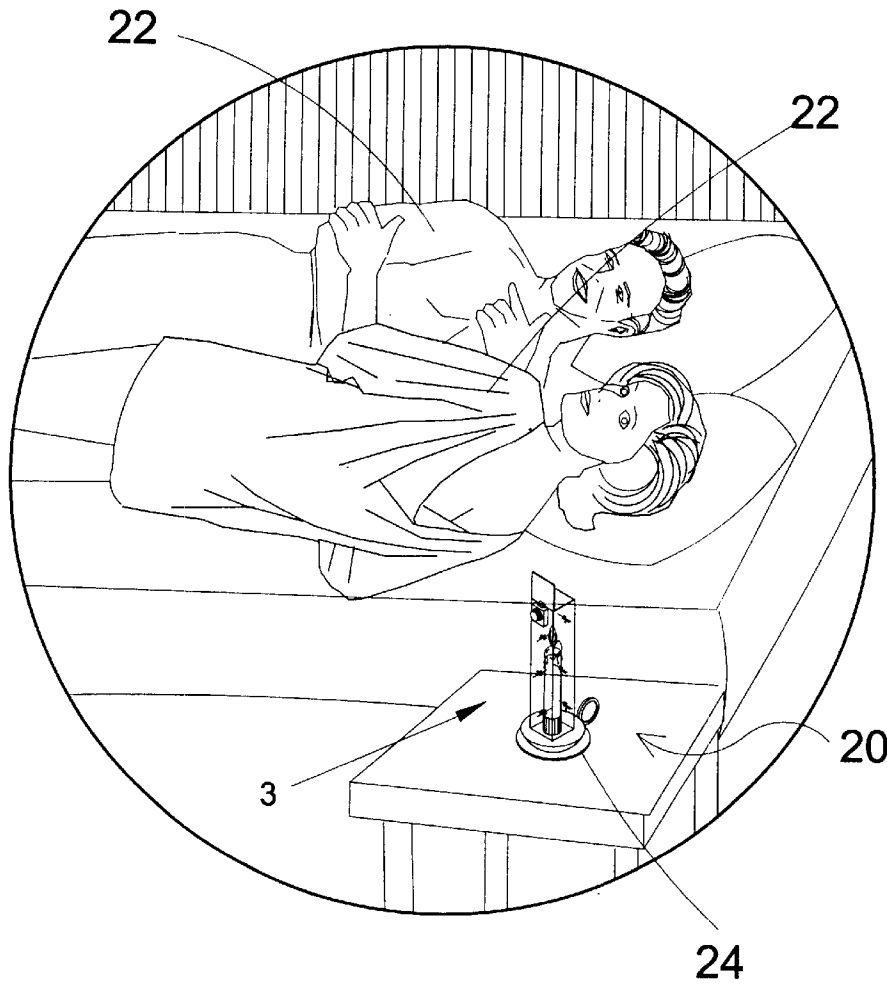


FIG 2

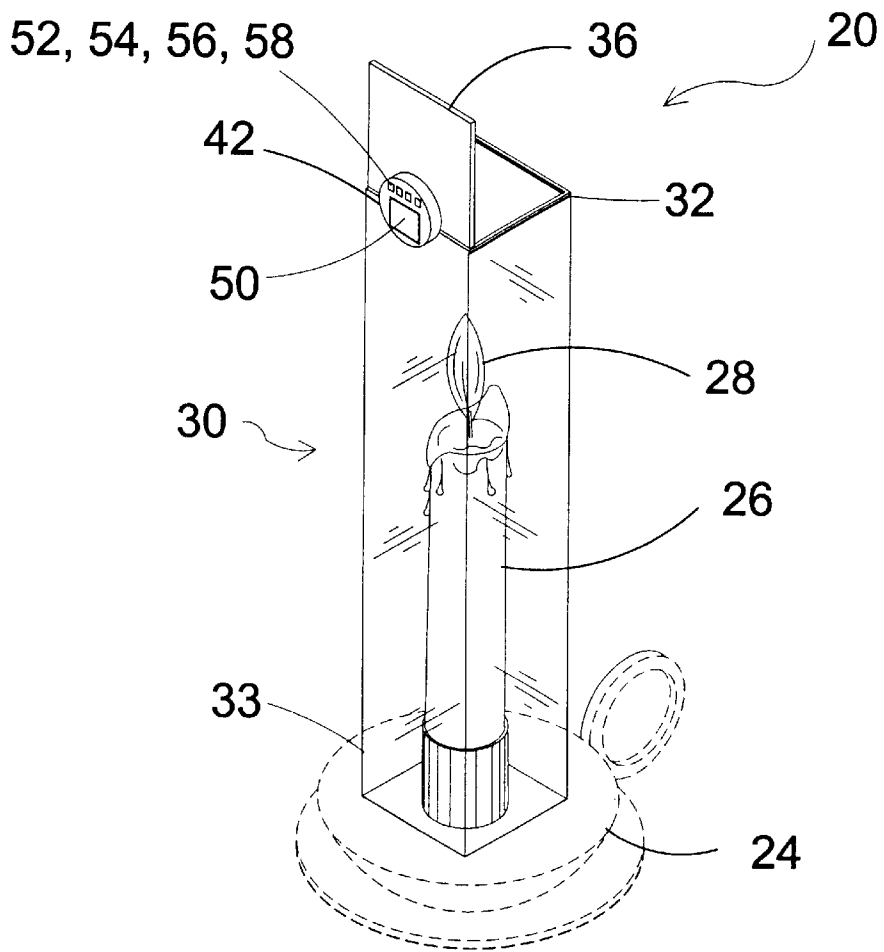


FIG 3

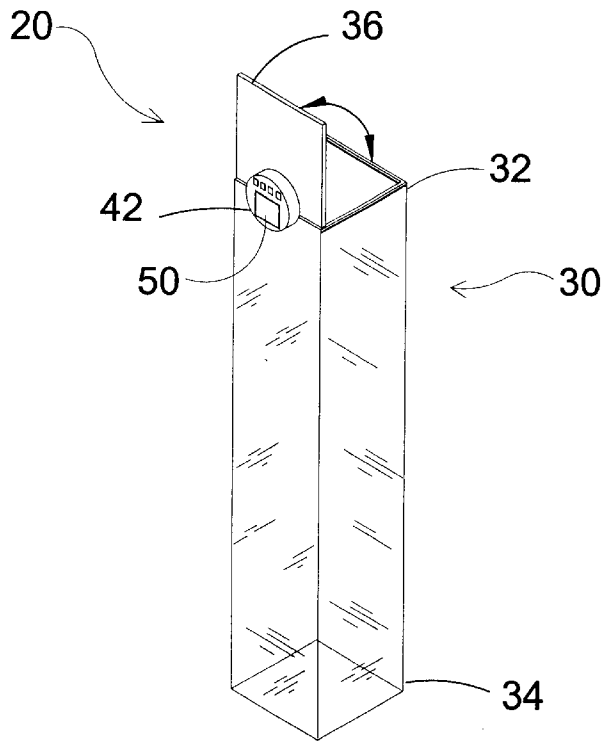


FIG 4

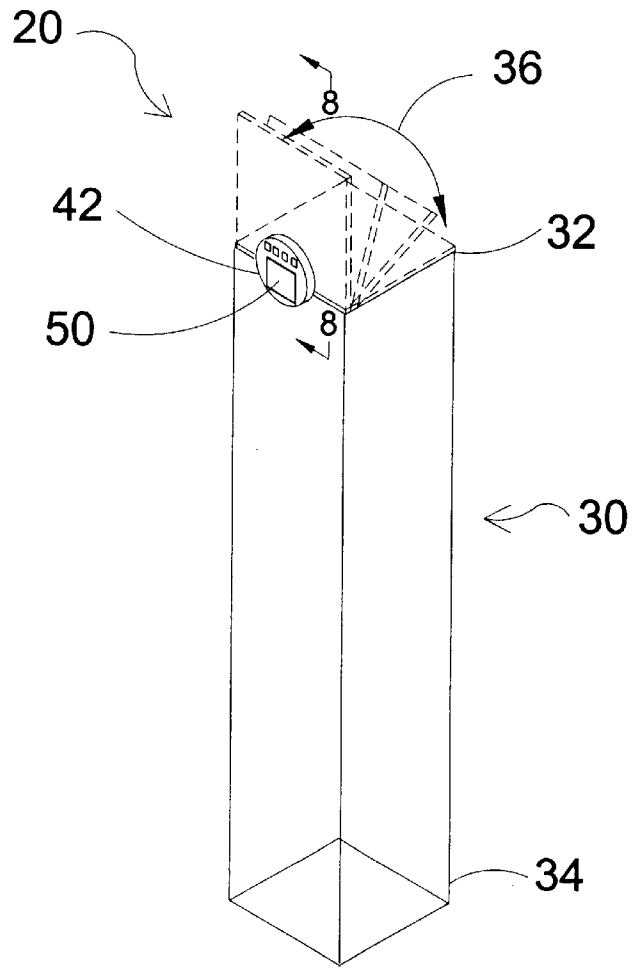


FIG 5

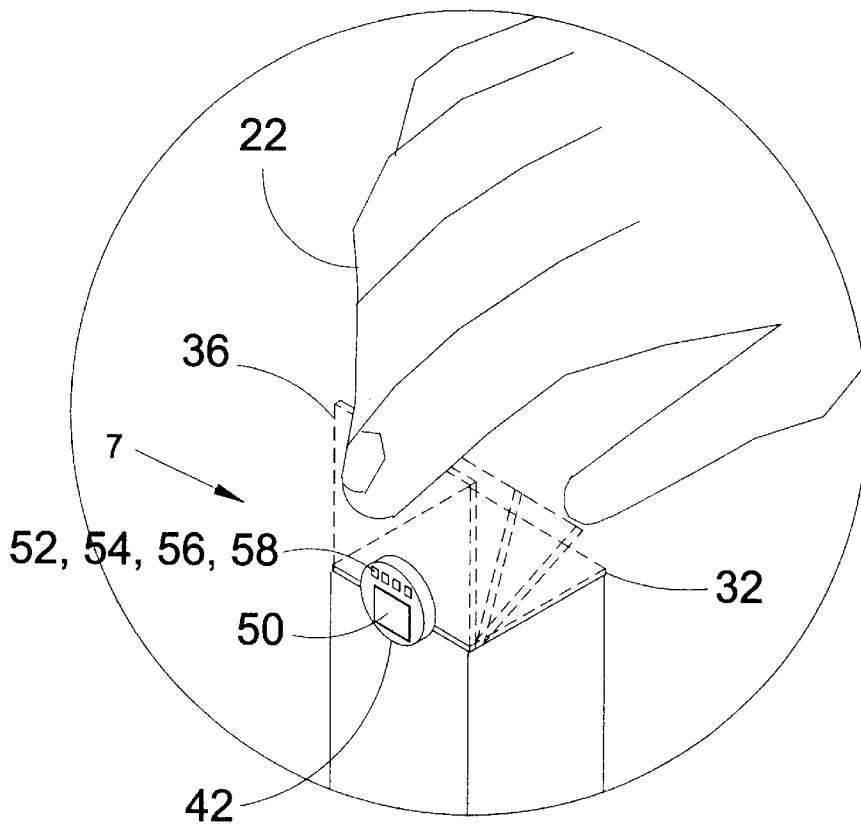


FIG 6

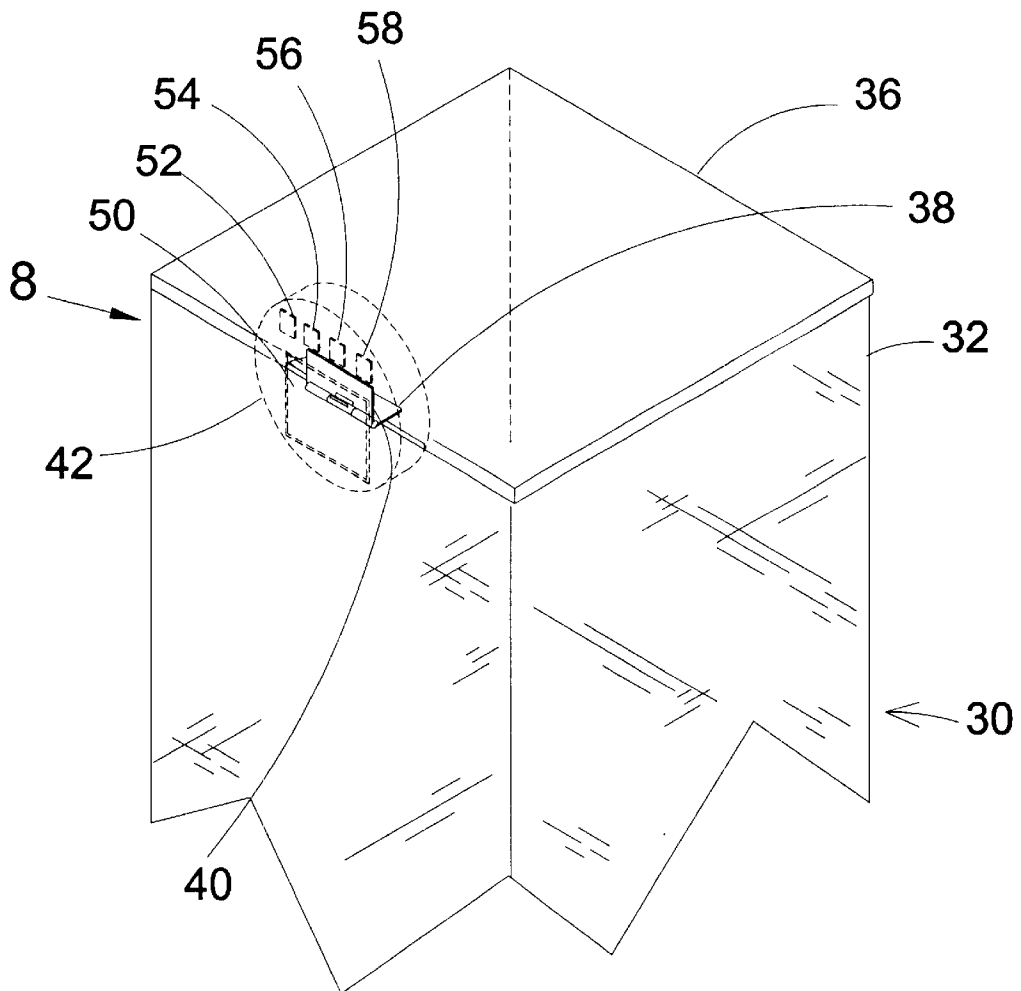


FIG 7

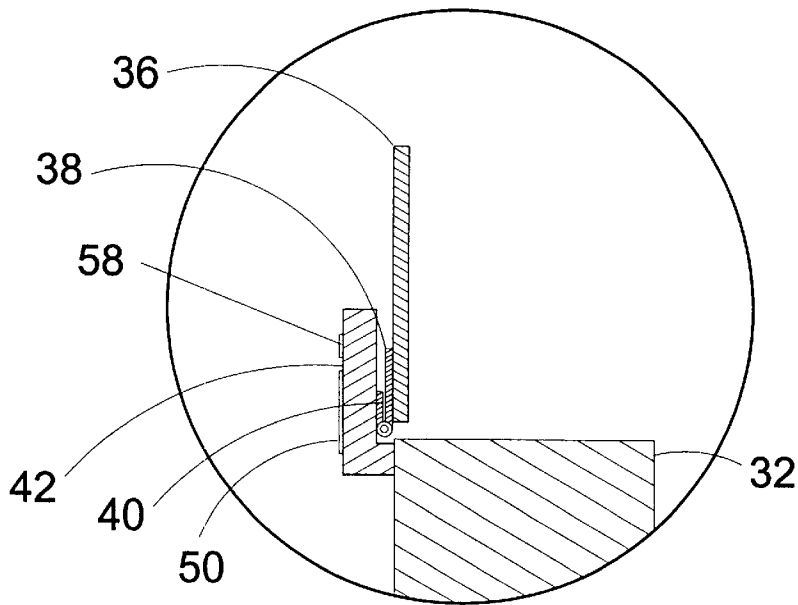


FIG 8

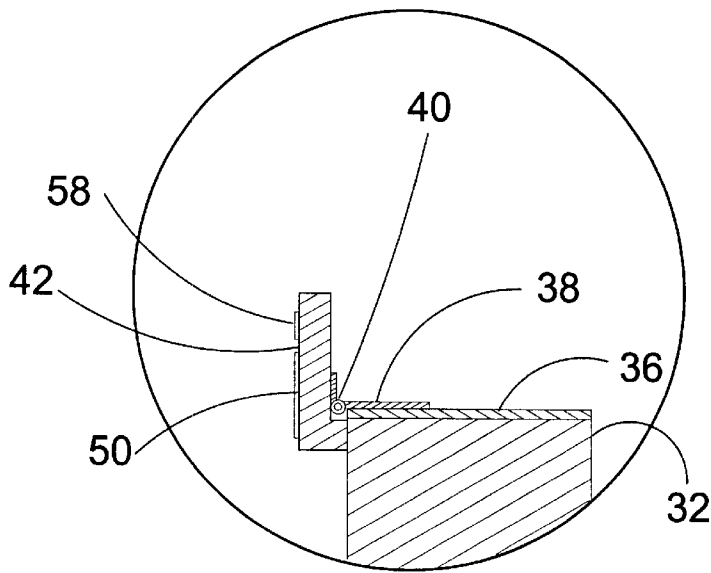


FIG 9

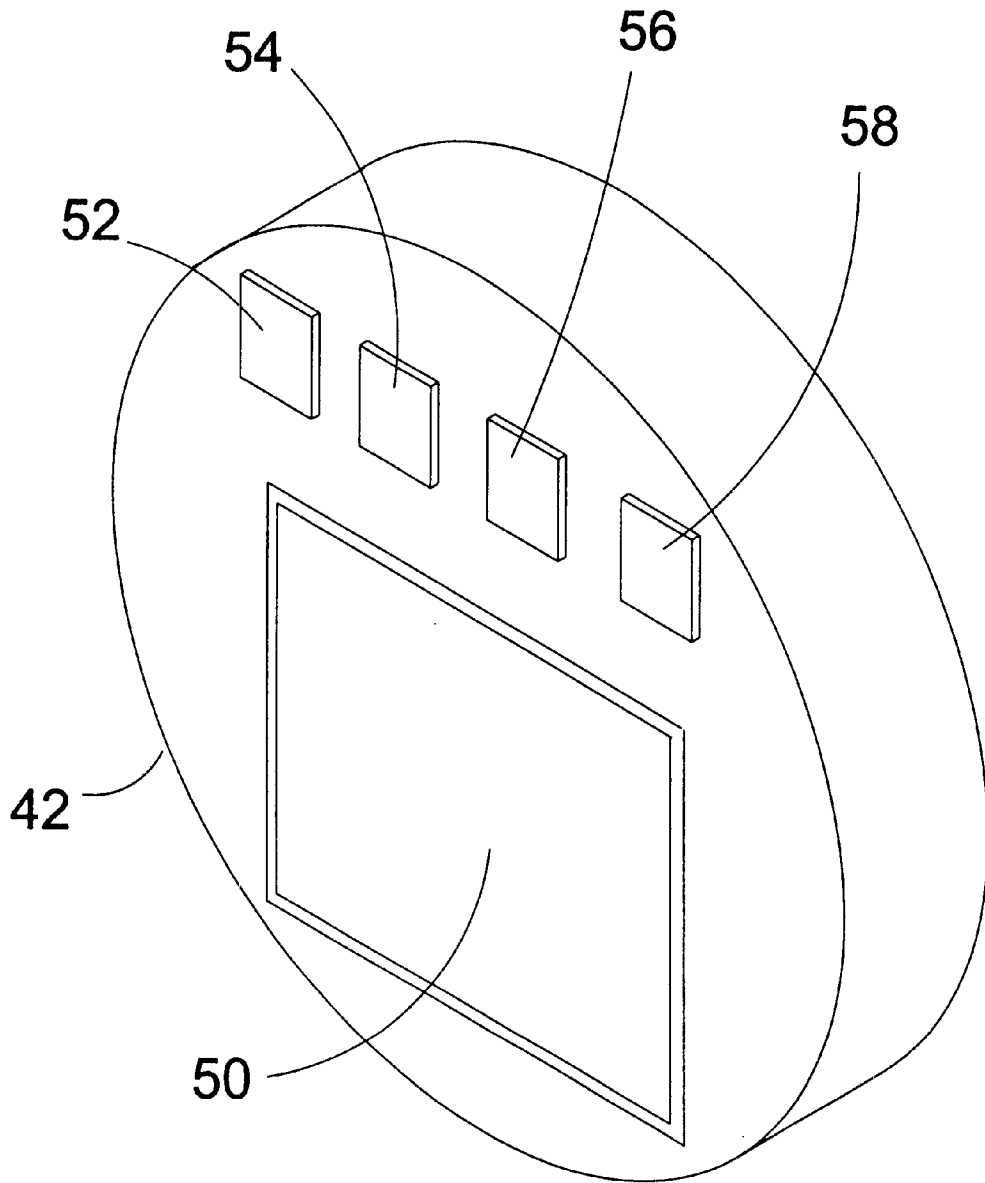


FIG 10

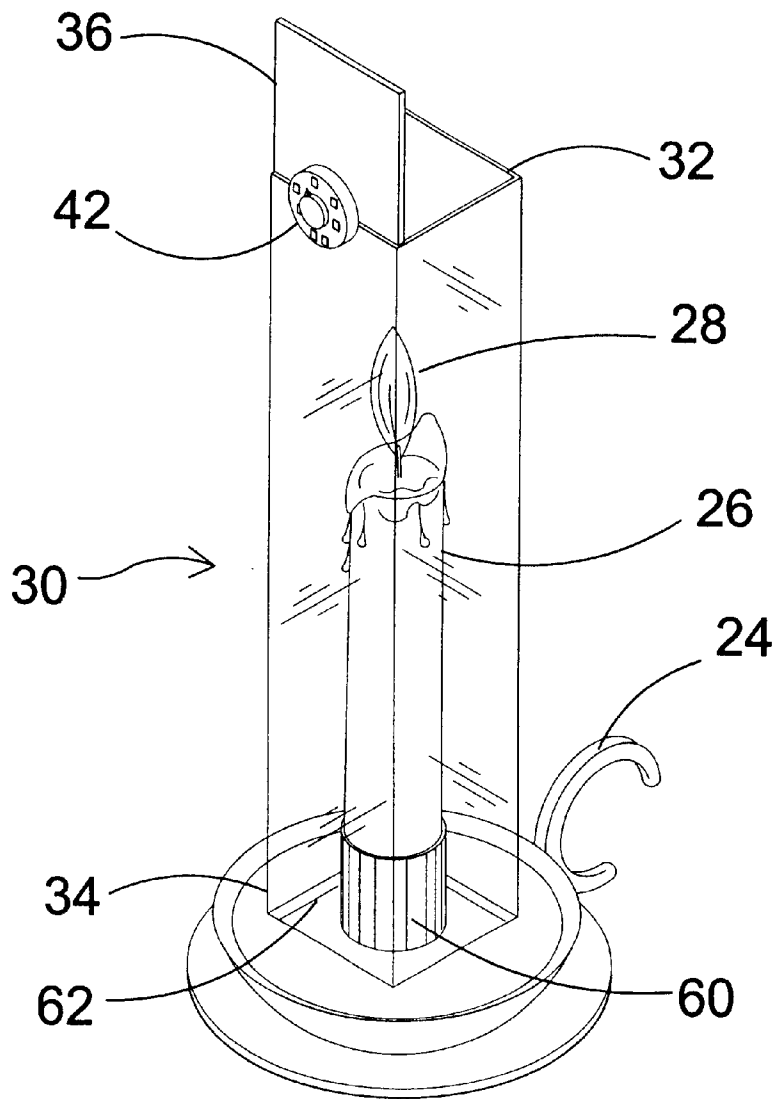


FIG 11

AUTOMATIC CANDLE SNUFFER

BACKGROUND OF THE INVENTION

1. Field of the Invention

The present invention relates generally to candle extinguishing devices and more specifically to an automatic candle extinguishing device.

2. Description of the Prior Art

There are other automatic candle snuffing devices designed to snuff out a candle flame. Typical of these is U.S. Pat. No. 211,902 issued to Frazee et al. on Feb. 4, 1879.

Another patent was issued to Pinel on Feb. 17, 1885 as U.S. Pat. No. 312,291. Yet another U.S. Pat. No. 434,297 was issued to Roell on Aug. 12, 1890 and still yet another was issued on Oct. 30, 1900 to Hagen as U.S. Pat. No. 660,899.

Another patent was issued to Stevenson on June 28, 1904 as U.S. Pat. No. 763,440. Another patent was issued to Kaiserreiner on Jan. 29, 1907 as U.S. Pat. No. 842,463. Another patent was issued to Findlay on Apr. 28, 1908 as U.S. Pat. No. 886,198. Another patent was issued to Baird on July 3, 1919 as U.S. Pat. No. 1,308,215. Another patent was issued to McHollan on Jul. 13, 1948 as U.S. Pat. No. 2,528,604. Another patent was issued to Ronnback on Apr. 4, 1989 as U.S. Pat. No. 4,818,214. Another patent was issued to Kroecker on Aug. 31, 1999 as U.S. Pat. No. 5,944,505.

The international application of Theodorus et al. was published under the Patent Cooperation Treaty on Dec. 14, 2000, as International Publication Number WO 00/75562 A1.

The invention relates to an improvement in automatic lamp extinguishers. The object being to provide a lamp with attachments arranged and constructed in such a manner that they may be adjusted to automatically extinguish the flame of the lamp at any predetermined time. The device uses a floating mechanism that descends as the lamp oil is burned.

A new and useful improvement in apparatus for automatically extinguishing candles using a wire ring mechanism.

A new and useful improvement in apparatus for automatically extinguishing candles consisting in combination with a candle shade support, a small ring, fork, triangle, and two parallel bars.

A new and useful improvement in apparatus for automatically extinguishing candles, consisting of a candle holder of any approved construction and adapted to be attached to the limb of a Christmas tree on which it will be used.

The invention relates to the class of candle extinguishers that can be adjusted to extinguish the candle after a predetermined amount has been consumed. An alarm bell is attached to the extinguisher so that it may be sounded a few minutes before the extinguisher can operate to enable the user to adjust it.

The device consists in substance, of a ring and flap tongues, which are hinged to the ring and are under action of a spring which acts to press the flap tongues inwardly. The circumference of the ring is preferably flat sided, the flap tongues thus constituting upward continuations of the individual sides of the ring.

The device of the invention is designed for use by readers in bed so as to obviate any danger of fire by reason of the candle burning down after the reader has fallen asleep, and the appliance in its construction provides means whereby the

candle upon being burned to its given limit thereby releases mechanism and so allows the cap to fall on to and extinguish the lighted candle.

The invention relates to the class of candle extinguishers which can be adjusted to extinguish the candle after a predetermined amount has been consumed. A pivoting cap mechanism is utilized.

This invention relates to a candle shaped supporter. The object of the invention is to provide a candle shade supporter that is applied to a candle and so that the location of the shade on the candle may be readily adjusted, and one which may or may not have incorporated in it, novel automatic candle extinguishing means which will extinguish the candle flame when the candle has burned down to the top of the supporter.

A burning candle is provided with a sleeve of heat-shrinkable plastics. When affected by the heat generated by the flame of the lit candle the sleeve shrinks and at least partly closes about the end of the candle, thus extinguishing the candle flame.

A candle holder has candles mounted at each end of a pivoting balance arm. A snuffer is located above each candle. When the balance arm is balanced and one of the candles is lit then the lit candle will become lighter as fuel is consumed by combustion at its wick. When this happens the balance arm pivots so that the end of the balance arm bearing the lit candle rises. This continues until the lit candle is raised to a location at which it is extinguished by one of the snuffers. After the candle has been extinguished then the second candle may be lit. The candle holder prevents candles from continuing to burn for extended periods of time. The candle holder is interesting to watch in operation.

The invention is related to a candle holder for various candle diameters, whereby the candle is clamped between at least two clamping surfaces or clamping edges which are movable in respect to each other and are in general moved towards each other by means of a spring. In case of the known candle holders the candle is extinguished when the melting zone of the burning candle approaches or reaches the clamping surfaces. The characteristic of the candle holder is that there is under the clamping surfaces a candle chamber which has an opening at the upper side, which opening is partly or completely closed when the clamping surfaces move towards each other.

While these devices may be suitable for the purposes for which they were designed, they would not be as suitable for the purposes of the present invention, as hereinafter described. In particular, none of these devices provide an electronically regulated and precisely timed flame extermination capability.

What is needed is a device that will allow a candle to burn for any length of time followed by an extermination of the flame at a time specifically chosen by the user.

SUMMARY OF THE PRESENT INVENTION

A primary object of the present invention is to provide an automatic candle extinguishing device.

Another object of the present invention is to provide a candle extinguishing device having a digital timer.

Yet another object of the present invention is to provide a candle extinguishing device having a digital timer that controls the closing of the lid of a housing that encompasses or holds the candle.

Still yet another object of the present invention is to provide a candle extinguishing device having a magnetic

element fixed to the lid that when the timer's set time has expired, the timer shuts off and the lid is released, snuffing out the candle flame.

Additional objects of the present invention will appear as the description proceeds.

The present invention overcomes the shortcomings of the prior art by providing an automatic candle extinguishing device consisting of a heat resistant glass tube housing with a digital timer device and lid with a magnetic element that magnetically couples with a selectively magnetized member. When magnetically decoupled the lid is pulled by gravity to a down position closing off the housing. The candle will be extinguished when the flame has used the remainder of the oxygen within the closed candle housing.

To reset the timer, the lid is manually opened, and the timer is set to desired time. The device of the present invention may be used in conjunction with a standard candle stick holder or may be provided with its own fitted candle stick holding device.

A device is provided for extinguishing the flame of a candle in a candle holder, comprising: a housing portion having a top end, a bottom end, a top opening, and a bottom opening, the bottom end being adapted for receipt by the candle holder, such that the housing is supported by the candle holder and air flow through the bottom opening is substantially eliminated; a timer having a magnetized portion, the timer being programmed and configured such that the timer's magnetized portion is demagnetized at a time set on the timer, the timer being settable for subsequent remagnetization; and a lid, the lid being hinged to the housing, the lid being sized to substantially eliminate airflow into the top opening when the lid is on the top opening, the lid having a magnetic portion, the lid and the timer being positioned such that the timer's magnetized portion is magnetically coupled to the lid's magnetic portion when the lid is open, the lid being further positioned such that the lid is closed by gravity on to the housing top end when the magnetic coupling with the timer is terminated, the air in the housing subsequently being insufficient to sustain the candle flame.

In one embodiment, a device is provided for extinguishing the flame of a candle, comprising: a housing portion having a top end, a closed bottom end, and a top opening, the bottom end being adapted to receive and support the candle; a timer having a magnetized portion, the timer being programmed and configured such that the timer's magnetized portion is demagnetized at a time set on the timer, the timer being settable for subsequent remagnetization; and a lid, the lid being hinged to the housing, the lid being sized to substantially eliminate airflow into the top opening when the lid is on the top opening, the lid having a magnetic portion, the lid and the timer being positioned such that the timer's magnetized portion is magnetically coupled to the lid's magnetic portion when the lid is open, the lid being further positioned such that the lid is closed by gravity on to the housing top end when the magnetic coupling with the timer is terminated, the air in the housing subsequently being insufficient to sustain the candle flame.

In another embodiment, the bottom end is adapted for supporting receipt by a candle holder.

In one embodiment, a device is provided for extinguishing the flame of a candle, comprising: a candle holder; a housing portion having a top end, a bottom end, a top opening, and a bottom opening, the bottom end being adapted for receipt by the candle holder, such that the housing is supported by the candle holder and air flow

through the bottom opening is substantially eliminated; a timer having a magnetized portion, the timer being programmed and configured such that the timer's magnetized portion is demagnetized at a time set on the timer, the timer being settable for subsequent remagnetization; and a lid, the lid being hinged to the housing, the lid being sized to substantially eliminate airflow into the top opening when the lid is on the top opening, the lid having a magnetic portion, the lid and the timer being positioned such that the timer's magnetized portion is magnetically coupled to the lid's magnetic portion when the lid is open, the lid being further positioned such that the lid is closed by gravity on to the housing top end when the magnetic coupling with the timer is terminated, the air in the housing subsequently being insufficient to sustain the candle flame.

In one embodiment, a device is provided for extinguishing the flame of a candle in a candle holder, comprising: means for housing the candle; means for selectively and alternately magnetizing and demagnetizing a member, said means having means for setting a time certain for demagnetization; and a lid, the lid being pivotable with respect to the housing means, the lid being positioned such that airflow into the housing means is substantially eliminated when the lid is in a down position, the lid having a magnetic portion, the lid being further positioned such that the magnetized member is magnetically coupled to the lid's magnetic portion when the lid is in an up position, the lid being further positioned such that the lid is closed by gravity to the down position when the magnetic coupling is terminated, the air in the housing means subsequently being insufficient to sustain the candle flame.

In one embodiment, a device is provided for extinguishing the flame of a candle in a candle holder, comprising: a housing portion having a top end, a bottom end, a top opening, and a bottom opening, the bottom end being adapted for receipt by the candle holder, such that the housing is supported by the candle holder and air flow through the bottom opening is substantially eliminated; a timer attached to the housing; a lid and a hinge attaching the lid to the timer; the hinge having a first portion attached to and magnetized by the timer, the timer being programmed and configured such that the hinge first portion is demagnetized at a time set on the timer, the timer being settable for subsequent remagnetization of the hinge first portion; the lid being sized to substantially eliminate airflow into the top opening when the lid is on the top opening; the hinge having a magnetic second portion attached to the lid; the lid and the timer being positioned such that the hinge first portion is magnetically coupled to the hinge second portion when the lid is open; and the lid being further positioned such that the lid is closed by gravity on to the housing top end when the magnetic coupling between the hinge first portion and the hinge second portion is terminated, the air in the housing subsequently being insufficient to sustain the candle flame.

In one embodiment, a device is provided for extinguishing the flame of a candle, comprising: a housing portion having a top end, a bottom end, and a top opening, the bottom end being adapted to receive and support the candle; a timer attached to the housing; a lid and a hinge attaching the lid to the timer; the hinge having a first portion attached to and magnetized by the timer, the timer being programmed and configured such that the hinge first portion is demagnetized at a time set on the timer, the timer being settable for subsequent remagnetization of the hinge first portion; the lid being sized to substantially eliminate airflow into the top opening when the lid is on the top opening; the hinge having a magnetic second portion attached to the lid; the lid and the

timer being positioned such that the hinge first portion is magnetically coupled to the hinge second portion when the lid is open; and the lid being further positioned such that the lid is closed by gravity on to the housing top end when the magnetic coupling between the hinge first portion and the hinge second portion is terminated, the air in the housing subsequently being insufficient to sustain the candle flame.

In another embodiment, the bottom end is adapted for supporting receipt by a candle holder.

In one embodiment, a device is provided for extinguishing the flame of a candle, comprising: a candle holder; a housing portion having a top end, a bottom end, a top opening, and a bottom opening, the bottom end being adapted for receipt by the candle holder, such that the housing is supported by the candle holder and air flow through the bottom opening is substantially eliminated; a timer attached to the housing; a lid and a hinge attaching the lid to the timer; the hinge having a first portion attached to and magnetized by the timer, the timer being programmed and configured such that the hinge first portion is demagnetized at a time set on the timer, the timer being settable for subsequent remagnetization of the hinge first portion; the lid being sized to substantially eliminate airflow into the top opening when the lid is on the top opening; the hinge having a magnetic second portion attached to the lid; the lid and the timer being positioned such that the hinge first portion is magnetically coupled to the hinge second portion when the lid is open; and the lid being further positioned such that the lid is closed by gravity on to the housing top end when the magnetic coupling between the hinge first portion and the hinge second portion is terminated, the air in the housing subsequently being insufficient to sustain the candle flame.

In the various embodiments, the timer has one or more of several capabilities, such as push button controls on the timer, a timer display, a lighted timer display, a digital timer, a display of the current time, the time of the next demagnetization, and/or the amount of time until the next demagnetization event

The foregoing and other objects and advantages will appear from the description to follow. In the description reference is made to the accompanying drawing, which forms a part hereof, and in which is shown by way of illustration specific embodiments in which the invention may be practiced. These embodiments will be described in sufficient detail to enable those skilled in the art to practice the invention, and it is to be understood that other embodiments may be utilized and that structural changes may be made without departing from the scope of the invention. In the accompanying drawing, like reference characters designate the same or similar parts throughout the several views.

The following detailed description is, therefore, not to be taken in a limiting sense, and the scope of the present invention is best defined by the appended claims.

BRIEF DESCRIPTION OF THE DRAWING FIGURES

Various other objects, features and attendant advantages of the present invention will become more fully appreciated as the same becomes better understood when considered in conjunction with the accompanying drawings, in which like reference characters designate the same or similar parts throughout the several views.

FIG. 1 is a perspective view of a typical prior art candle holder. Candles may be used to provide light as well as atmosphere or mood. While it is possible to blow a candle flame out, it is not generally desirable to do so, as it may interrupt a romantic atmosphere and hinder the mood.

FIG. 2 is a perspective view of the present invention in use. The device of the present invention includes a glass housing having a digital timer device attached thereto. While the timer is running it magnetizes a plate on the timer that holds the lid in the open position. When the designated time has expired, the magnetic field is terminated and the lid swings closed, sealing the housing from the oxygen supply.

FIG. 3 is a detail perspective view of the device of the present invention with a lit candle. The device of the present invention may be used in conjunction with a standard candle stick holder. The housing having an automatic digitally controlled timer device fits over a candle stick and may be set for a specific amount of time. After that time has expired, the timer shuts off and gravity shuts the lid, releasing it down over the opening of the tube, blocking the opening and suffocating the flame of the candle.

FIG. 4 is a detail view of the present invention. The glass candle housing is constructed using heat resistant glass that will allow a candle to bum for a given period of time and not crack under intense heat.

FIG. 5 is a detail view of the present invention. The digital timer controls the closing of the lid when the time set has expired. To restart the timer, the lid is manually opened and the digital timer reset to the desired time required by the user.

FIG. 6 is a detail view of the present invention. The digital timer controls the closing of the lid when the time set has expired. To restart the timer, the lid is manually opened and the digital timer reset to the desired time required by the user.

FIG. 7 is a partial view of the device of the present invention shown in a closed position. The digital timer of the present invention is set by pressing the desired key indicating the amount of time the candle is lit, to the time the system will close the lid and snuff out the candle.

FIG. 8 is a side view of the digital timer of the present invention shown with the lid open.

FIG. 9 is a side view of the digital timer of the present invention shown with the lid closed. The digital timer of the present invention is set by pressing the desired key indicating the amount of time the lid will remain open. When the time has expired the lid will be released to close off the candle housing.

FIG. 10 is a detail view of the timer of the present invention. The digital timer of the present invention is set by pressing the desired key indicating the amount of time the lid is to remain open.

FIG. 11 is an alternate embodiment of the present invention, in which the candle holder is included and housing, is received in a special indentation.

DESCRIPTION OF THE REFERENCED NUMERALS

Turning now descriptively to the drawings, in which similar reference characters denote similar elements throughout the several views, the figures illustrate the Automatic Candle Snuffer of the present invention. With regard to the reference numerals used, the following numbering is used throughout the various drawing figures.

- 20 Automatic Candle Snuffer of the present invention
- 22 users
- 24 prior art candle holder
- 26 candle
- 28 candle flame
- 30 housing

32 housing top end
 34 housing bottom end
 36 lid
 38 hinge lid portion
 40 hinge fixed portion
 42 timer
 50 timer display
 52 timer function button
 54 timer function button
 56 timer function button
 58 timer function button
 60 candle receiving portion of candle holder
 62 indented space

DETAILED DESCRIPTION OF THE PREFERRED EMBODIMENTS

In the following detailed description of the preferred embodiments, reference is made to the accompanying drawings that form a part hereof, and in which are shown by way of illustration specific embodiments in which the invention may be practiced. It is to be understood that other embodiments may be utilized and structural changes may be made without departing from the scope of the present invention. For definition of the complete scope of the invention, the reader is directed to appended claims.

The Automatic Candle Snuffer **20** is shown generally in FIGS. 2–11, and in use by users **22** in FIG. 2. FIG. 1 depicts a prior art candle-candle holder arrangement, in which the user **22** must extinguish the flame **28** by blowing.

As shown in FIG. 3, the device **20** is supported by a typical candle holder **24**, the candle holder **24** holding a candle **26** in the ordinary position wherein the flame **28** is aligned with the longitudinal axis of the candle **26**.

The device **20** has a housing **30** that is constructed from heat resistant glass. The housing **30** has an open top end **32** and bottom end **34**, although the bottom end **34** flushes or mates with the candle holder **24** such that an insufficient amount of air passes through the bottom end **34** to sustain the flame **28**.

The device **20** has a lid **36** that is adapted to close in the housing top end **32** when the lid **36** is in a down position, as shown in FIGS. 5, 7 and 9. As shown in FIGS. 5, 6, 8 and 9, the lid **36** is hinged with a hinge lid portion **38** being attached to the lid **36**, and a hinge fixed portion **40** being attached to a digital timer **42**. The timer **42** is attached to the housing **30**, as further shown in FIGS. 8–9. The housing top end **32** is open, that is, the housing top end **32** allows sufficient airflow into the housing **30** to sustain the flame **28**, when the lid **36** is in the up position as depicted in FIGS. 3, 4, and 8.

The timer **42** is electrically enabled to magnetize the hinge fixed portion **40** and the hinge lid portion **38** is magnetic, such that the hinge fixed portion **40** and the hinge lid portion **38** are magnetically coupled when the lid **36** in the up position and the timer **42** has magnetized the hinge fixed portion **40**. When the timer **42** ceases to magnetize the hinge fixed portion **40**, however, the magnetic coupling terminates and gravity causes the lid **36** to hingedly descend into the lid's **36** down position on the housing top end **32**. As a result insufficient airflow enters the housing **30** to sustain the candle flame **28**.

The user **22** operates the device **20** by viewing the display screen **50** while manipulating the timer function buttons **52,54,56,58** as needed to magnetize the hinge fixed portion **40** and set the timer **42** to terminate such magnetization. As shown on FIG. 10, a preferred arrangement of the timer

function buttons **52,54,56,58** includes a SET/SELECT button **52** to initiate the process. When pushed the user **22** can then press the HOUR button **54** to choose the hour, and the MINUTE button **56** to choose the minute. Once properly set the ENTER button **58** is pushed to accept the hour and minute chosen and magnetize the fixed hinge portion **40**. As further shown in FIG. 6, the user **22** then lifts the lid **36** to the up position where the lid **36** is magnetically coupled with the magnetized fixed hinge portion **40**.

In the preferred embodiment, the display **50** can be selectively set to display the current time, the time at which the candle flame **28** will be snuffed, or the time remaining until the candle flame **28** will be snuffed.

Having successfully initiated the device **20**, the user **22** need not be concerned with extinguishing the flame **28**. At the time set on the digital timer **42**, the timer **42** will demagnetize the fixed hinge portion **40**, and gravity will cause the lid **36** to fall to its down position, closing off the housing **30**.

One embodiment includes a hinge that is not magnetized. The lid is hinged with a normal hinge, but the lid is magnetic, and the digital timer has a portion that is magnetized to magnetically couple with the lid in the same manner that the fixed hinge portion **40** coupled with the hinge lid portion **38**.

In another embodiment, shown in FIG. 11, the housing **30** includes a closed bottom end **34**, the housing **30** having the candle **26** receiving portion **60** of the candle holder **24** encompassed within the housing. In such a configuration, the housing bottom end **34** can be freestanding or can be received within an indented space **62** in an included candle holder **24**.

The device **20** and its foregoing components can be constructed using various materials, including various metals, woods, and plastics for the housing **30** and lid **36** provided a sufficient amount of insulation and metallic material is used in the lid **36**, the hinge fixed portion **40**, and/or the hinge lid portion **38**. The materials, in various component combinations, can be sized to accommodate candles **26** of various sizes, shapes and orientations, all in accordance with the present invention, and as determined by the intended end use for the overall device **20**.

With respect to the above description then, it is to be realized that the optimum material and dimensional relationships for the parts of the device **20**, to include variations in size, materials, shape, and form, will occur to those skilled in the art upon review of the present disclosure, and all equivalent relationships to those illustrated in the drawings and described in the specification are intended to be encompassed by the present invention.

What is claimed as new and desired to be protected by Letters Patent is set forth in the appended claims:

1. A device for extinguishing the flame of a candle in a candle holder, comprising:

- a housing portion having a top end, a bottom end, a top opening, and a bottom opening, the bottom end being adapted for receipt by the candle holder, such that the housing is supported by the candle holder and air flow through the bottom opening is substantially eliminated;
- a timer having a magnetized portion, the timer being programmed and configured such that the timer's magnetized portion is demagnetized at a time set on the timer, the timer being settable for subsequent remagnetization; and
- a lid, the lid being hinged to the housing, the lid being sized to substantially eliminate airflow into the top

opening when the lid is on the top opening, the lid having a magnetic portion, the lid and the timer being positioned such that the timer's magnetized portion is magnetically coupled to the lid's magnetic portion when the lid is open, the lid being further positioned such that the lid is closed by gravity on to the housing top end when the magnetic coupling with the timer is terminated, the air in the housing subsequently being insufficient to sustain the candle flame.

2. The device of claim 1, wherein the timer has push-button controls.

3. The device of claim 1, wherein the timer has a display.

4. The device of claim 3, wherein the display is lighted.

5. The device of claim 1, wherein the timer is digital.

6. The device of claim 1, wherein the display displays the amount of time until the next demagnetization event.

7. The device of claim 1, wherein the display displays the current time.

8. The device of claim 1, wherein the display displays the time of the next demagnetization event.

9. The device of claim 1, wherein the display displays the time.

10. A device for extinguishing the flame of a candle, comprising:

a housing portion having a top end, a closed bottom end, and a top opening, the bottom end being adapted to receive and support the candle;

a timer having a magnetized portion, the timer being programmed and configured such that the timer's magnetized portion is demagnetized at a time set on the timer, the timer being settable for subsequent remagnetization; and

a lid, the lid being hinged to the housing, the lid being sized to substantially eliminate airflow into the top opening when the lid is on the top opening, the lid having a magnetic portion, the lid and the timer being positioned such that the timer's magnetized portion is magnetically coupled to the lid's magnetic portion when the lid is open, the lid being further positioned such that the lid is closed by gravity on to the housing top end when the magnetic coupling with the timer is terminated, the air in the housing subsequently being insufficient to sustain the candle flame.

11. The device of claim 10, wherein the bottom end is adapted for supporting receipt by a candle holder.

12. A device for extinguishing the flame of a candle, comprising:

a candle holder;

a housing portion having a top end, a bottom end, a top opening, and a bottom opening, the bottom end being adapted for receipt by the candle holder, such that the housing is supported by the candle holder and air flow through the bottom opening is substantially eliminated;

a timer having a magnetized portion, the timer being programmed and configured such that the timer's magnetized portion is demagnetized at a time set on the timer, the timer being settable for subsequent remagnetization; and

a lid, the lid being hinged to the housing, the lid being sized to substantially eliminate airflow into the top opening when the lid is on the top opening, the lid having a magnetic portion, the lid and the timer being positioned such that the timer's magnetized portion is magnetically coupled to the lid's magnetic portion when the lid is open, the lid being further positioned such that the lid is closed by gravity on to the housing

top end when the magnetic coupling with the timer is terminated, the air in the housing subsequently being insufficient to sustain the candle flame.

13. A device for extinguishing the flame of a candle in a candle holder, comprising:

means for housing the candle;

means for selectively and alternately magnetizing and demagnetizing a member, said means having means for setting a time certain for demagnetization; and

a lid, the lid being pivotable with respect to the housing means, the lid being positioned such that airflow into the housing means is substantially eliminated when the lid is in a down position, the lid having a magnetic portion, the lid being further positioned such that the magnetized member is magnetically coupled to the lid's magnetic portion when the lid is in an up position, the lid being further positioned such that the lid is closed by gravity to the down position when the magnetic coupling is terminated, the air in the housing means subsequently being insufficient to sustain the candle flame.

14. A device for extinguishing the flame of a candle in a candle holder, comprising:

a housing portion having a top end, a bottom end, a top opening, and a bottom opening, the bottom end being adapted for receipt by the candle holder, such that the housing is supported by the candle holder and air flow through the bottom opening is substantially eliminated;

a timer attached to the housing;

a lid and a hinge attaching the lid to the timer, the hinge having a first portion attached to and magnetized by the timer, the timer being programmed and configured such that the hinge first portion is demagnetized at a time set on the timer, the timer being settable for subsequent remagnetization of the hinge first portion;

the lid being sized to substantially eliminate airflow into the top opening when the lid is on the top opening;

the hinge having a magnetic second portion attached to the lid;

the lid and the timer being positioned such that the hinge first portion is magnetically coupled to the hinge second portion when the lid is open; and

the lid being further positioned such that the lid is closed by gravity on to the housing top end when the magnetic coupling between the hinge first portion and the hinge second portion is terminated, the air in the housing subsequently being insufficient to sustain the candle flame.

15. The device of claim 14, wherein the timer has push-button controls.

16. The device of claim 14, wherein the timer has a display.

17. The device of claim 16, wherein the display is lighted.

18. The device of claim 14, wherein the timer is digital.

19. The device of claim 14, wherein the display displays the amount of time until the next demagnetization event.

20. The device of claim 14, wherein the display displays the current time.

21. The device of claim 14, wherein the display displays the time of the next demagnetization event.

22. The device of claim 14, wherein the display displays the time.

23. A device for extinguishing the flame of a candle, comprising:

11

- a housing portion having a top end, a bottom end, and a top opening, the bottom end being adapted to receive and support the candle;
- a timer attached to the housing;
- a lid and a hinge attaching the lid to the timer;
 - the hinge having a first portion attached to and magnetized by the timer, the timer being programmed and configured such that the hinge first portion is demagnetized at a time set on the timer, the timer being settable for subsequent remagnetization of the hinge first portion;
 - the lid being sized to substantially eliminate airflow into the top opening when the lid is on the top opening;
 - the hinge having a magnetic second portion attached to the lid;
 - the lid and the timer being positioned such that the hinge first portion is magnetically coupled to the hinge second portion when the lid is open; and
 - the lid being further positioned such that the lid is closed by gravity on to the housing top end when the magnetic coupling between the hinge first portion and the hinge second portion is terminated, the air in the housing subsequently being insufficient to sustain the candle flame.
- 24. The device of claim 23, wherein the bottom end is adapted for supporting receipt by a candle holder.
- 25. A device for extinguishing the flame of a candle, comprising:
 - a candle holder;

12

- a housing portion having a top end, a bottom end, a top opening, and a bottom opening, the bottom end being adapted for receipt by the candle holder, such that the housing is supported by the candle holder and air flow through the bottom opening is substantially eliminated;
- a timer attached to the housing;
- a lid and a hinge attaching the lid to the timer;
 - the hinge having a first portion attached to and magnetized by the timer, the timer being programmed and configured such that the hinge first portion is demagnetized at a time set on the timer, the timer being settable for subsequent remagnetization of the hinge first portion;
 - the lid being sized to substantially eliminate airflow into the top opening when the lid is on the top opening;
 - the hinge having a magnetic second portion attached to the lid;
 - the lid and the timer being positioned such that the hinge first portion is magnetically coupled to the hinge second portion when the lid is open; and
 - the lid being further positioned such that the lid is closed by gravity on to the housing top end when the magnetic coupling between the hinge first portion and the hinge second portion is terminated, the air in the housing subsequently being insufficient to sustain the candle flame.

* * * * *