



US006770000B2

(12) **United States Patent**
Shelley

(10) **Patent No.:** **US 6,770,000 B2**

(45) **Date of Patent:** **Aug. 3, 2004**

(54) **APPARATUS AND METHOD FOR A GOLF ALIGNMENT PADDLE**

(76) Inventor: **Ben Shelley**, 1530 Highland Ave. NW., Cleveland, TN (US) 37311

(*) Notice: Subject to any disclaimer, the term of this patent is extended or adjusted under 35 U.S.C. 154(b) by 46 days.

(21) Appl. No.: **10/117,811**

(22) Filed: **Apr. 8, 2002**

(65) **Prior Publication Data**

US 2003/0190980 A1 Oct. 9, 2003

(51) **Int. Cl.**⁷ **A63B 57/00**

(52) **U.S. Cl.** **473/404; 33/277**

(58) **Field of Search** 473/404, 407, 473/409, 268; 33/286, 289, 276, 277, 281, 282, 284, 285, 292

(56) **References Cited**

U.S. PATENT DOCUMENTS

1,536,512 A	5/1925	McLaren	
1,583,965 A *	5/1926	Dunn	33/277
2,463,798 A	3/1949	Paisley	
2,519,727 A *	8/1950	Yezdan	33/277
2,670,209 A	2/1954	Fay	
2,898,109 A	8/1959	Williams	
3,170,698 A	2/1965	Schoeffler et al.	
3,293,755 A *	12/1966	Cronwell	473/404
3,507,500 A	4/1970	Scott	
3,810,633 A	5/1974	Scott, III	
4,174,838 A	11/1979	Paschetto	
4,260,151 A *	4/1981	Weaver	473/404
4,340,229 A	7/1982	Stuff, Jr.	

4,984,791 A *	1/1991	Labell	473/404
4,988,107 A	1/1991	Sasse	
5,326,096 A *	7/1994	H'Doubler	473/404
5,351,961 A	10/1994	Eulau	
5,441,273 A	8/1995	Stormon	
5,503,393 A *	4/1996	Casperson	473/404

* cited by examiner

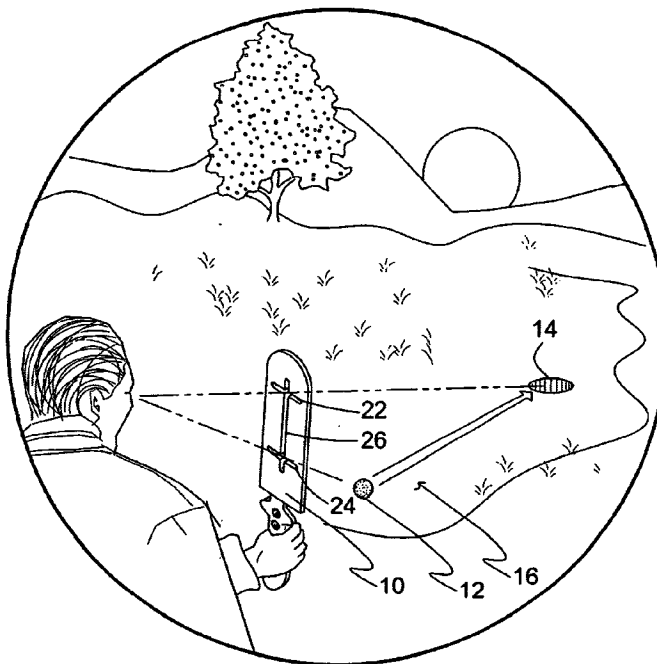
Primary Examiner—Steven Wong

(74) *Attorney, Agent, or Firm*—Michael I. Kroll

(57) **ABSTRACT**

The present invention **10** discloses an alignment paddle that allows the golfer **18** to identify a straight line between the golf ball **12** and the intended target **14**. The hand held alignment paddle includes a vertical elongated aperture **26** and two parallel horizontal apertures **22, 24**. One horizontal aperture intersects at the top **22** of the vertical aperture and the other horizontal aperture intersects at the bottom **24** of the vertical aperture **26**. The intersections create an upper **34** and a lower **36** viewing passage centerline. The golfer **18** identifies a straight path from the golf ball to the intended target by positioning the paddle in his line of sight such that the golf ball **12** is visible in the lower viewing passage centerline and the intended target, e.g., the hole **14** is in the upper viewing passage centerline. When both the ball **12** and the intended target; e.g., the hole **14** are visible, a straight path has been identified. In the event of a slope in the elevation of the green **10**, the golf ball **12** will break to the down side of the slope and the intended target will be to the top side of the slope. Positioning the intended target in the upper viewing passage centerline **34**, the hole **14** in the green **16** will be visible to the left of centerline of a left-hand break or to the right of the centerline on a right-and break.

7 Claims, 10 Drawing Sheets



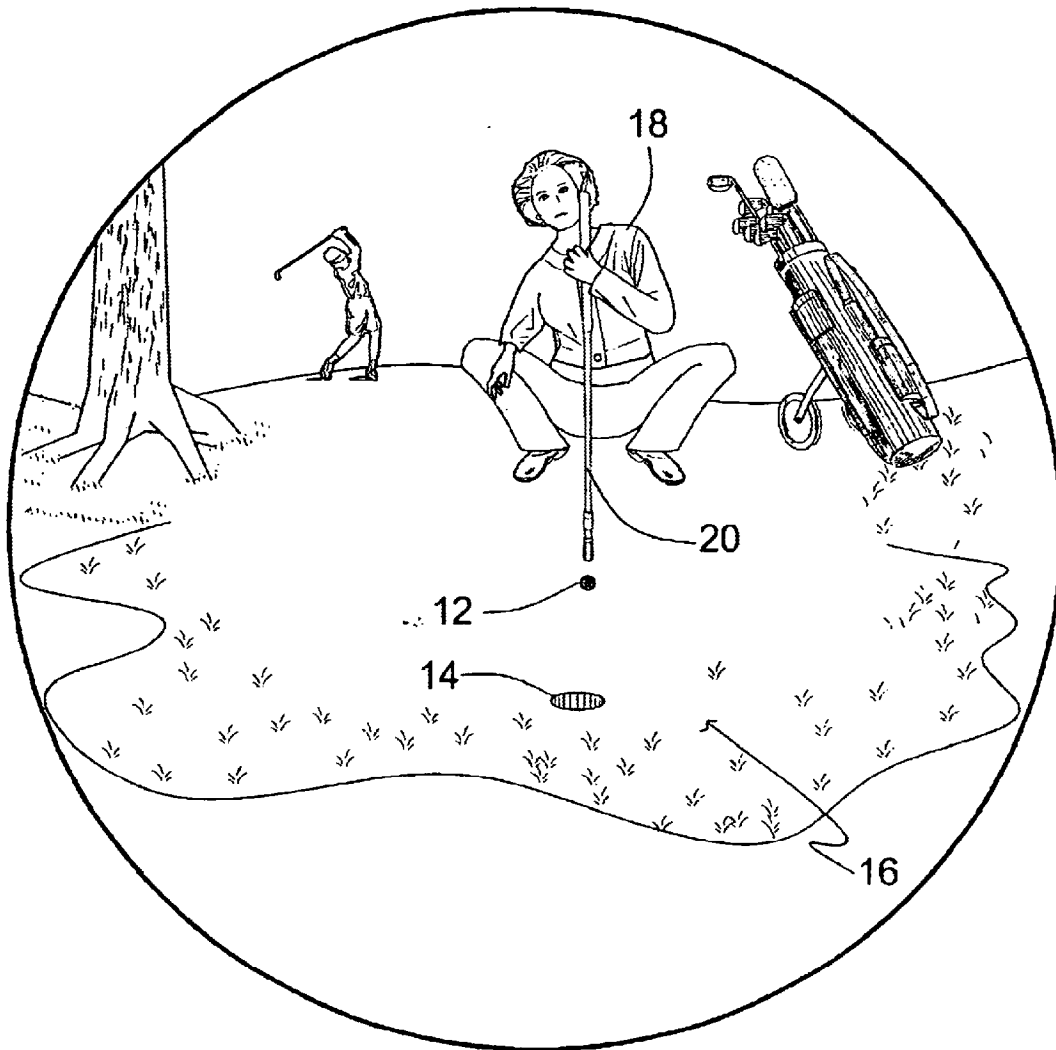


FIG. 1
PRIOR ART

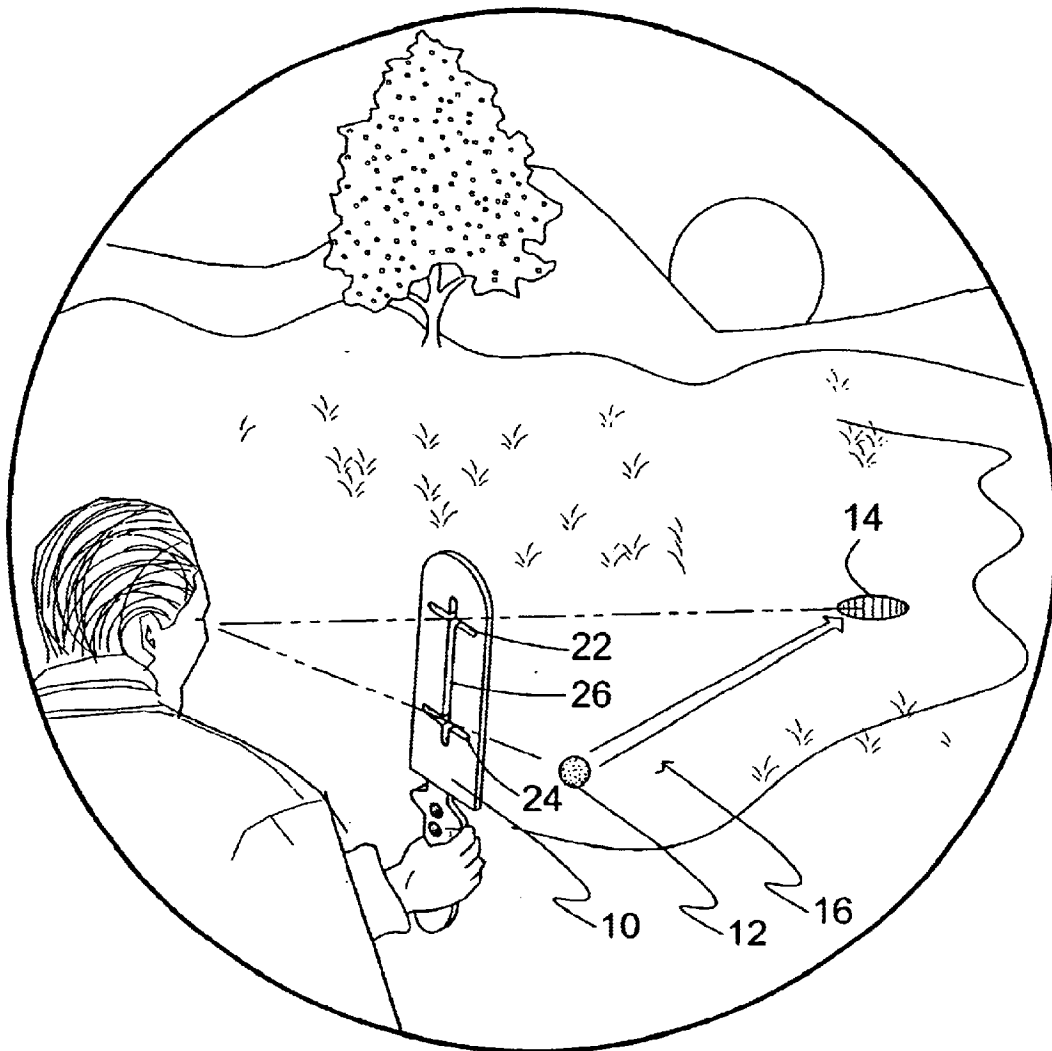


FIG. 2

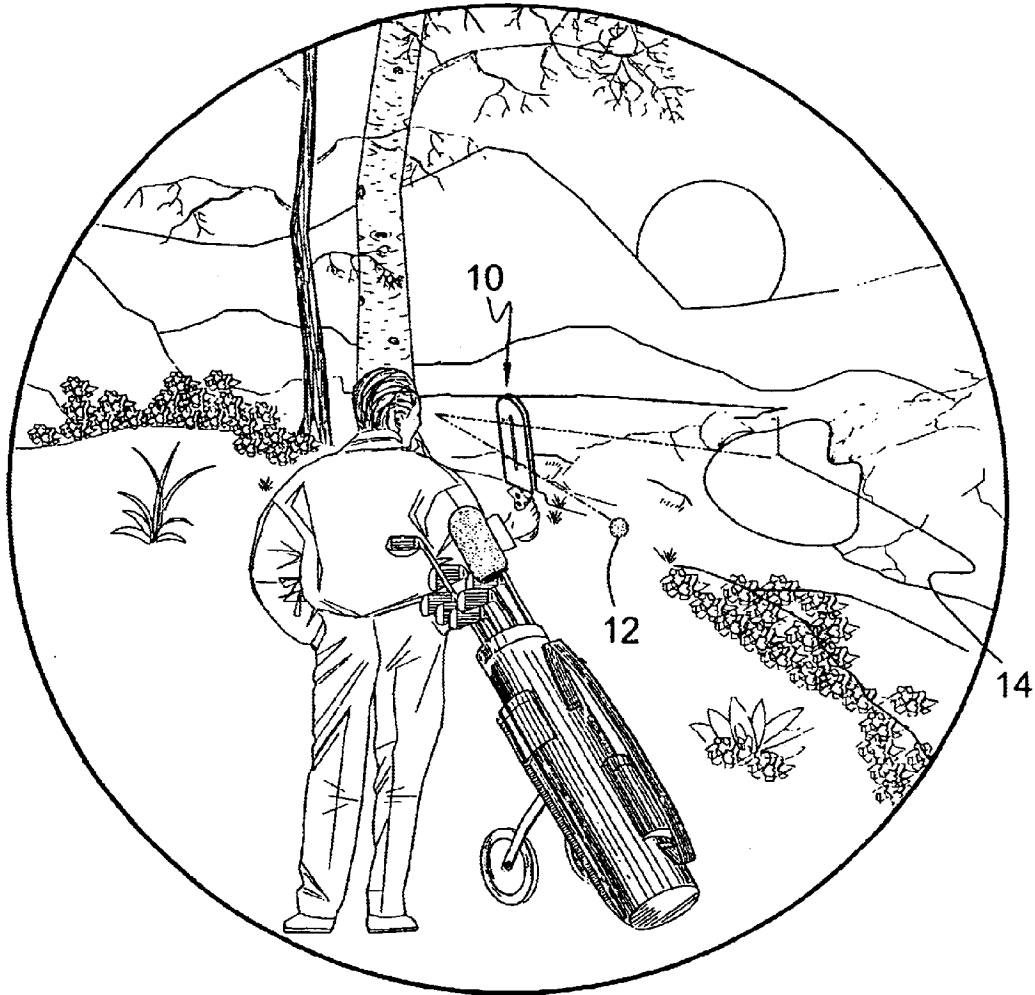


FIG. 3

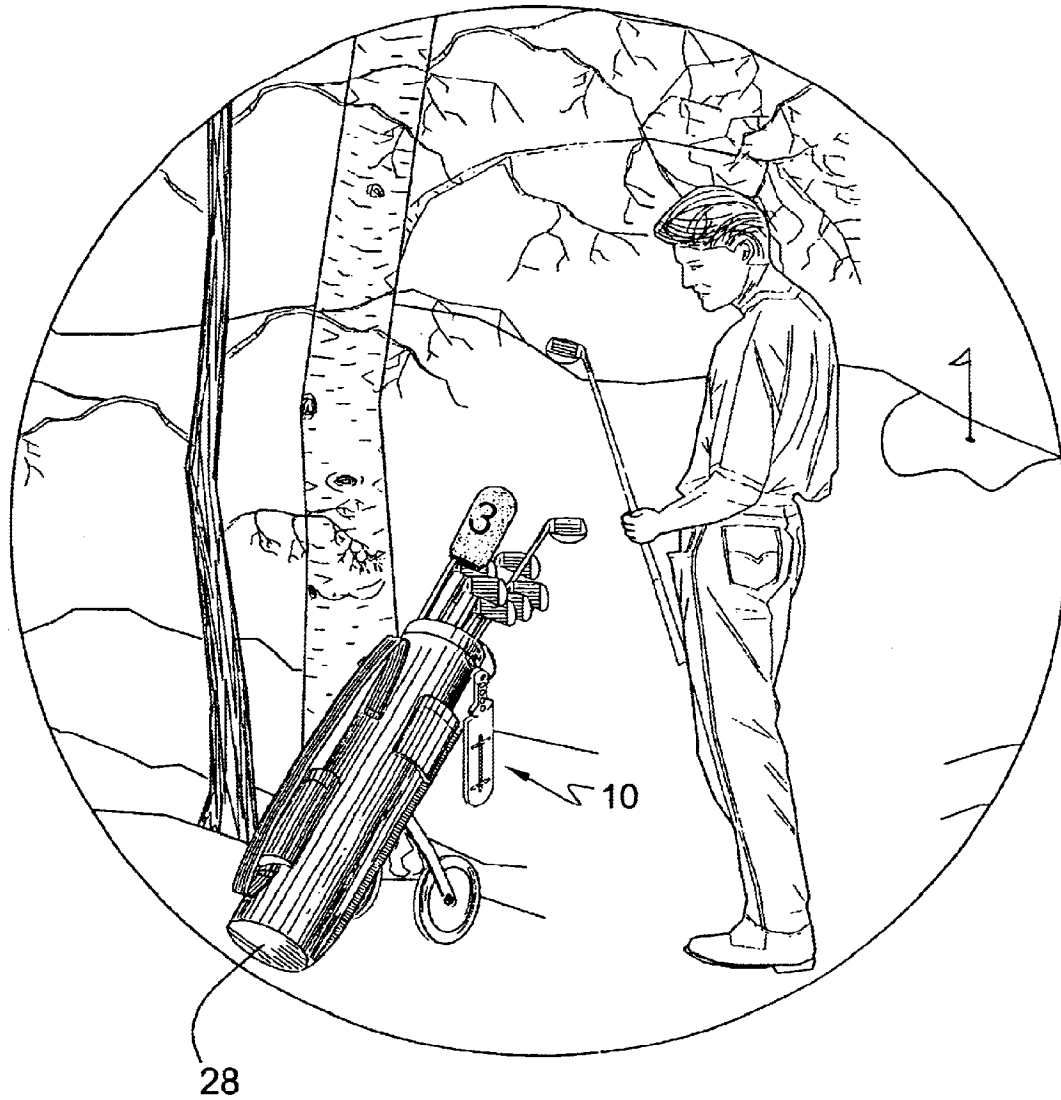


FIG. 4

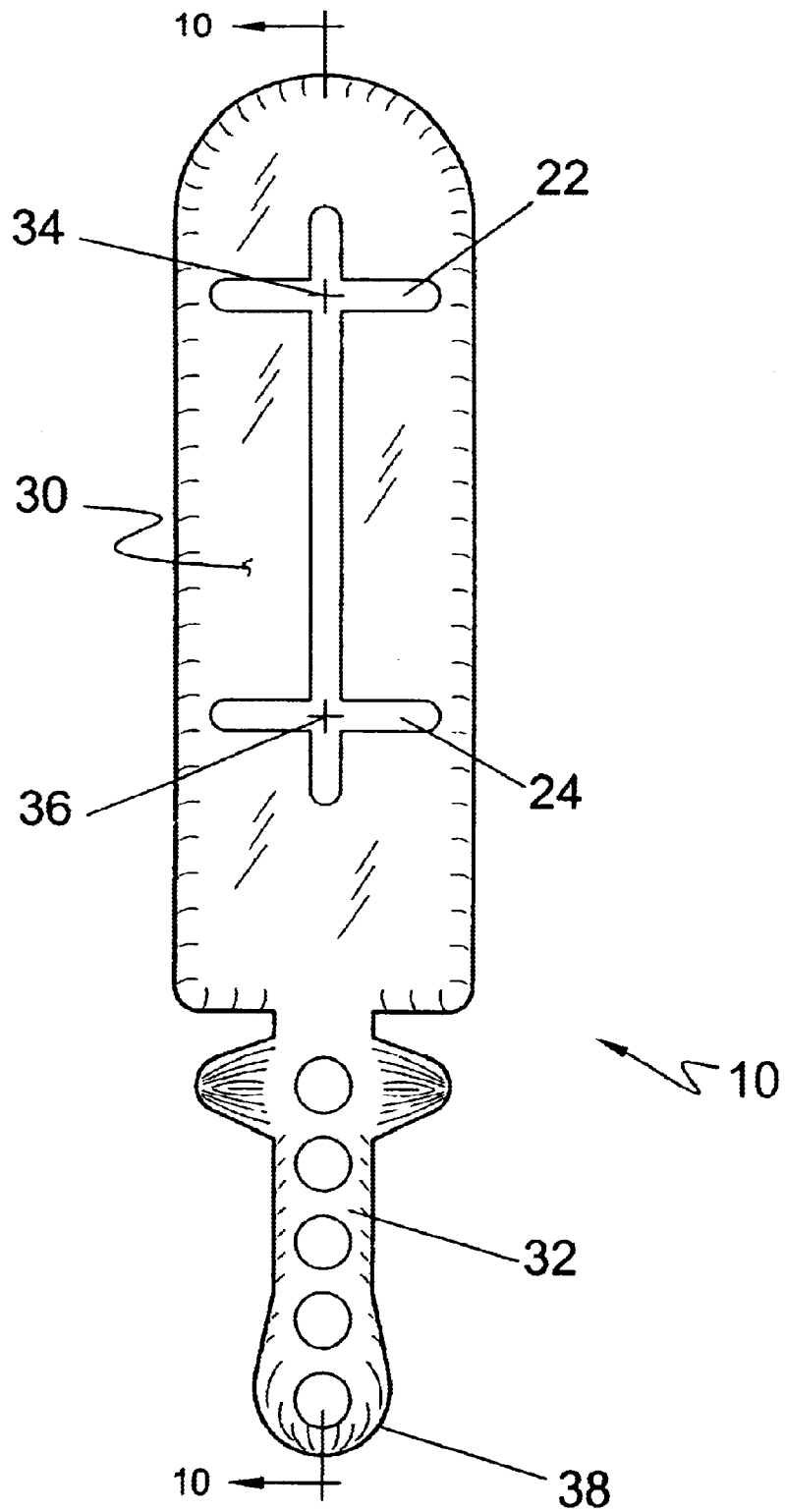


FIG. 5

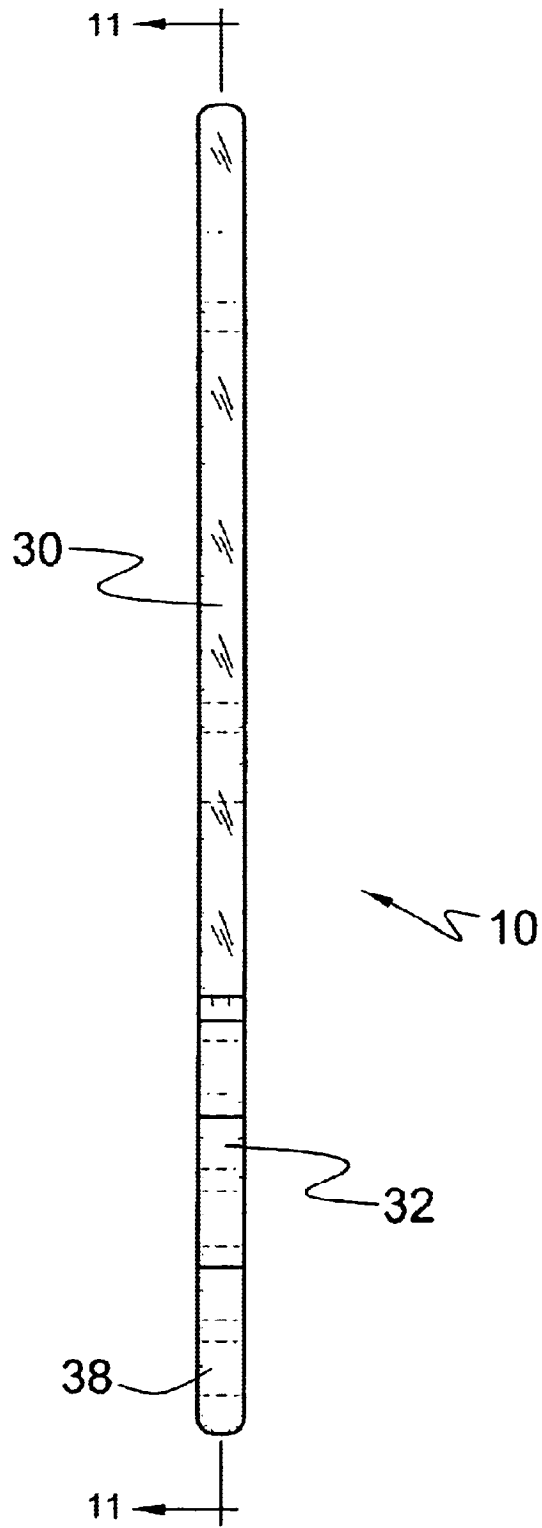


FIG. 6

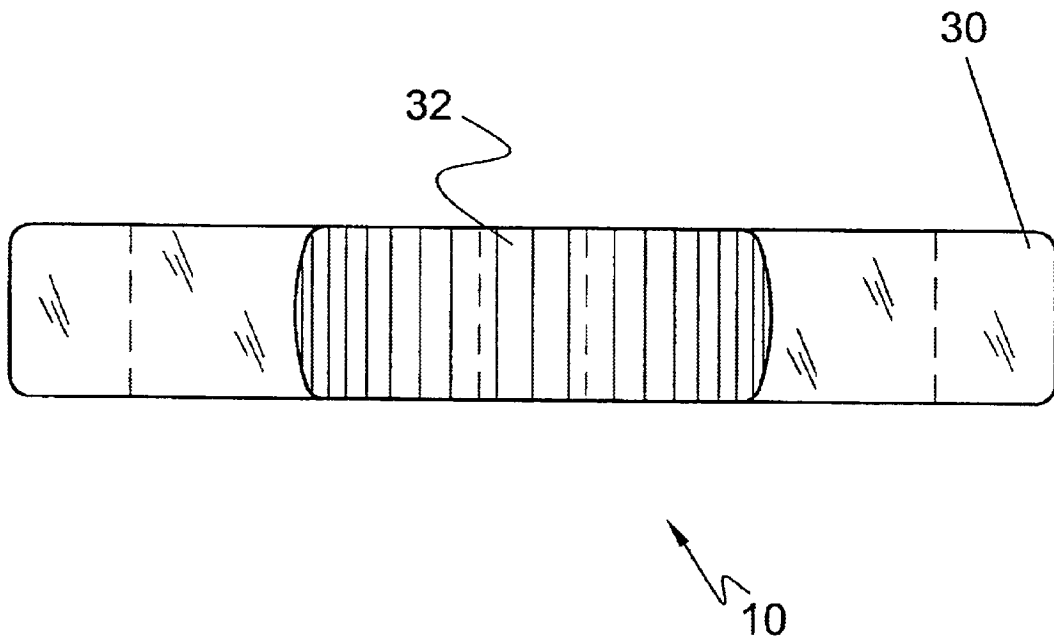


FIG. 7

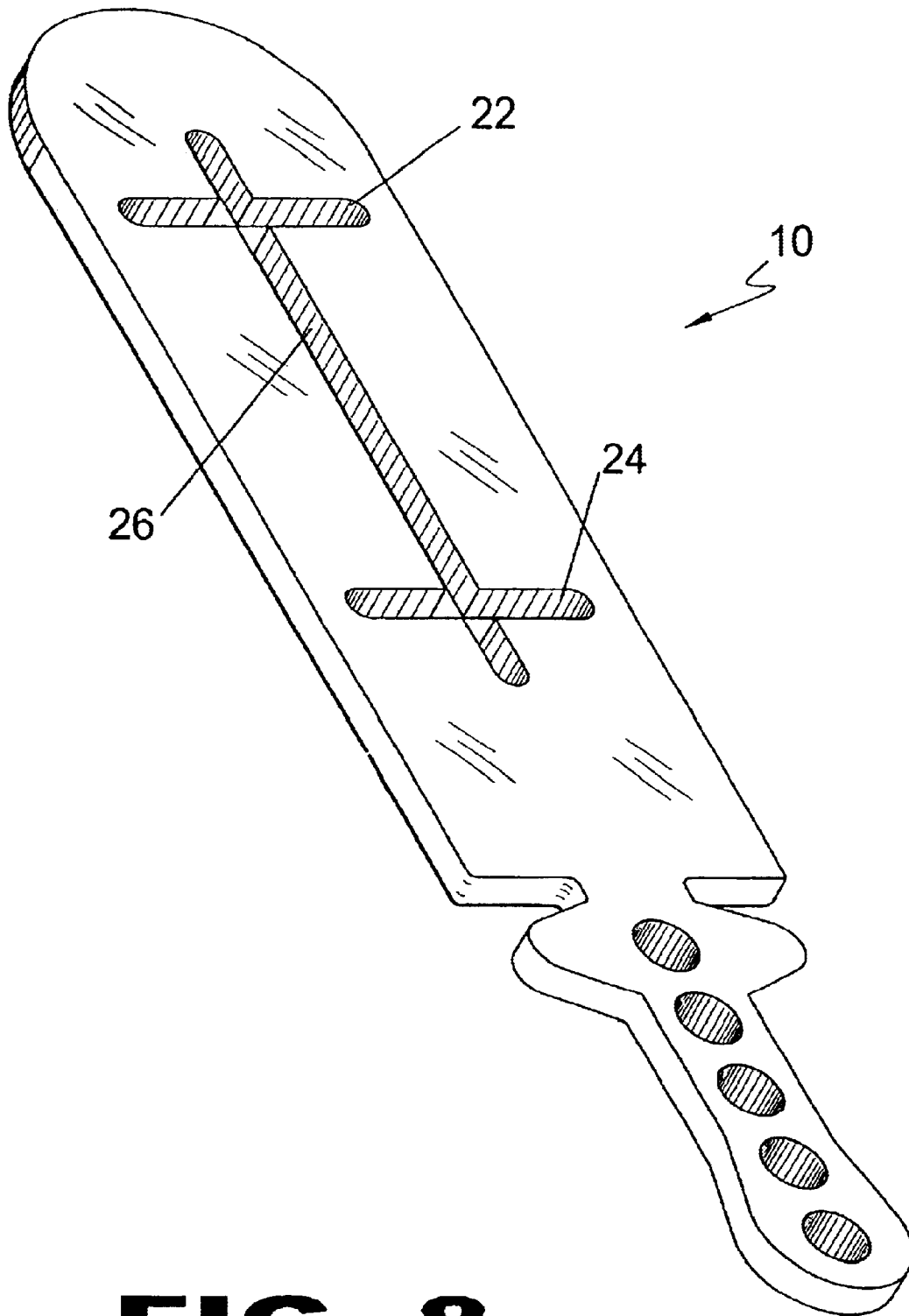


FIG. 8

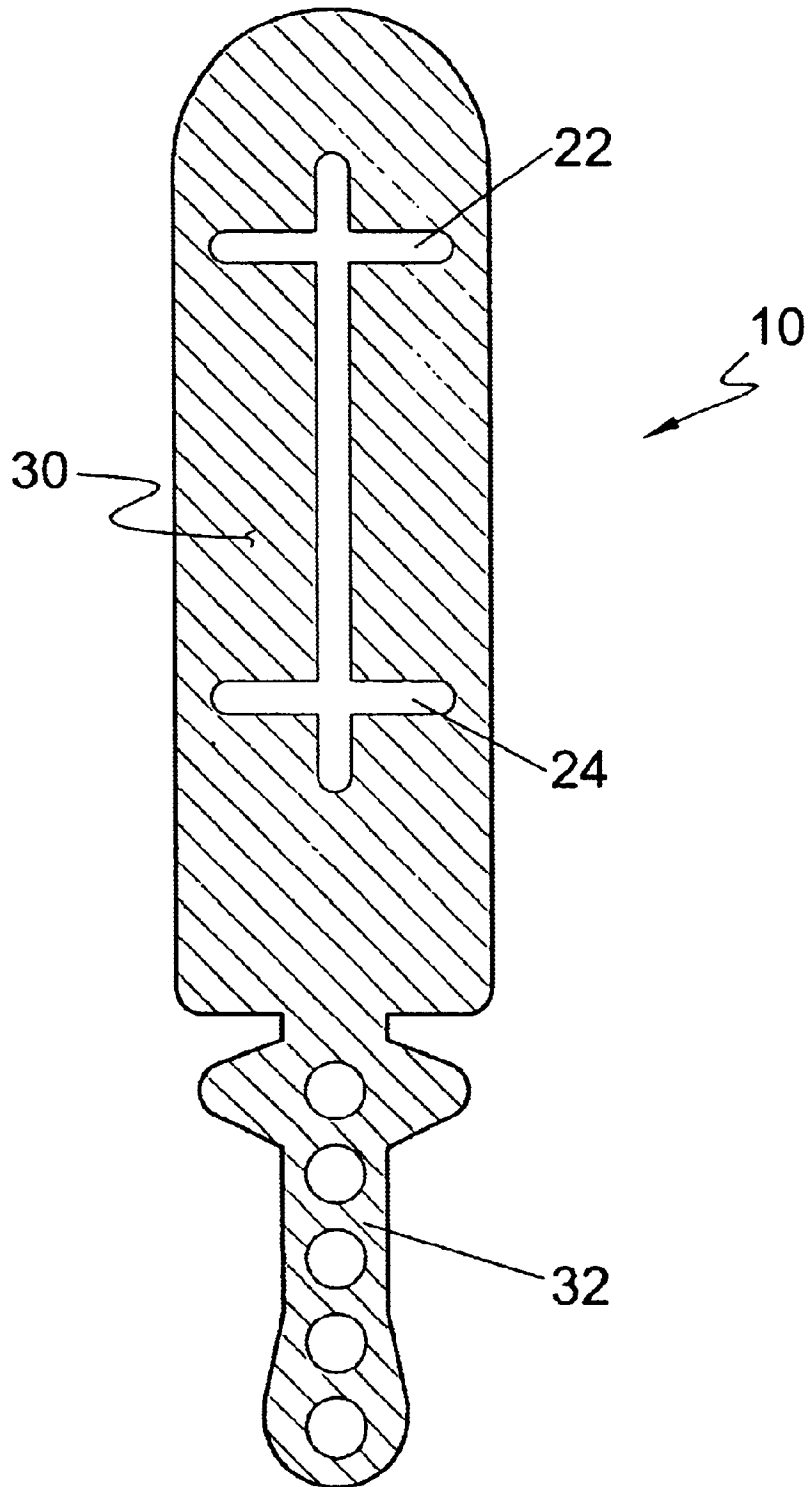


FIG. 10

APPARATUS AND METHOD FOR A GOLF ALIGNMENT PADDLE

BACKGROUND OF THE INVENTION

1. Field of the Invention

The present invention relates generally to golf and, more specifically, to a golf assistance device. The present invention is an alignment paddle that allows the golfer to identify a straight line between the golf ball and the intended target. The hand held alignment paddle includes a vertical elongated aperture and 2 parallel horizontal apertures. One horizontal aperture intersects at the top of the vertical aperture and the other horizontal aperture at the bottom of the vertical aperture. The intersections create an upper and a lower viewing passage centerline. The golfer identifies a straight path from the golf ball to the intended target by positioning the paddle in his line of sight such that the golf ball is visible in the lower viewing passage centerline and the intended target is in the upper viewing passage centerline. When both the ball and the intended target are visible, a straight path has been identified.

Viewing through the vertical aperture the golfer can then identify distinct characteristics or objects in the landscape on the straight path. These distinct characteristics or objects are used to maintain the defined straight path to the intended target when the golfer takes their stance to hit the golf ball.

In addition, the horizontal apertures allow for viewing objects adjacent to the intended target. This is desired when the hole in the green is not the intended target. In the event of a slope in the elevation of the green, the golf ball will break to the down side of the slope. The intended target will be to the top side of the slope. Positioning the intended target in the upper viewing passage centerline, the hole in green will be visible to the left of centerline of a left hand break, or to the right of the centerline on a right-hand break.

2. Description of the Prior Art

There are other golf assistance devices designed for aligning a golf shot. There are other golf assistance devices which provide for distance calculations to intended target. While these golf assistance devices may be suitable for the purposes for which they were designed, they would not be as suitable for the purposes of the present invention as heretofore described. It is thus desirable to provide a visible straight line to the intended target while blocking the adjacent landscape from sight line. It is further desirable keep the hole in the green visible in the horizontal aperture when it is not the intended target.

SUMMARY OF THE PRESENT INVENTION

The present invention discloses an alignment paddle that allows the golfer to identify a straight line between the golf ball and the intended target. The hand held alignment paddle includes a vertical elongated aperture and two parallel horizontal apertures. One horizontal aperture intersects at the top of the vertical aperture and the other horizontal aperture intersects at the bottom of the vertical aperture. The intersections create an upper and a lower viewing centerline. The golfer identifies a straight path from the golf ball to the intended target by positioning the paddle in his line of sight such that the golf ball is visible in the lower viewing passage centerline and the intended target, e.g., the hole, is in the upper viewing passage centerline. When both the ball and the intended target; e.g., the holes are visible, a straight path has been identified. Viewing through the vertical aperture

the golfer can then identify distinct characteristics or objects in the landscape on the straight path. These distinct characteristics or objects in the landscape on the straight path. These distinct characteristics or objects are used to maintain the defined straight path to the intended target when the golfer takes their stance to hit the ball. In addition, the horizontal apertures allow for viewing objects adjacent to the intended target. This is desired when the hole in the green is not the intended target. In the event of a slope in the elevation of the green, the golf balls will break to the down side of the slope. The intended target will be to the top side of the slope. Positioning the intended target in the upper viewing passage centerline, the hole in the green will be visible to the left of centerline of a left-hand break or to the right of the centerline on a right-and break.

A primary object of the present invention is to provide a straight path from the golf ball to the intended target.

Another object of the present invention is to provide visibility to the intended target.

Yet another object of the present invention is to provide visibility to select objects in the horizontal aperture in the event of a slope in the elevation and break in the flight and/or roll is anticipated.

Still yet another object of the present invention is to provide visibility to distinct characteristics or objects in the landscape on the straight path.

Yet another object of the present invention is to provide training for less experience golfers.

Additional objects of the present invention will appear as the description proceeds.

The present invention overcomes the shortcomings of the prior art by providing isolated visibility to the intended target. In prior method of aligning a golf approach on the green, the golf club is held in a plumb position in line of sight to the intended target. This creates a void in the sight line of the path of the intended target.

The foregoing and other objects and advantages will appear from the description to follow. In the description reference is made to the accompanying drawings, which form a part hereof, and in which is shown by way of illustration specific embodiments in which the invention may be practiced. These embodiments will be described in sufficient detail to enable those skilled in the art to practice the invention, and it is to be understood that other embodiments may be utilized and that structural changes may be made without departing from the scope of the invention. In the accompanying drawings, like reference characters designate the same or similar parts throughout the several views.

The following detailed description is, therefore, not to be taken in a limiting sense, and the scope of the present invention is best defined by the appended claims.

BRIEF DESCRIPTION OF THE DRAWINGS

In order that the invention may be more fully understood, it will now be described, by way of example, with reference to the accompanying drawings in which:

FIG. 1 is an illustrative view of the prior art method of aligning a putt.

FIG. 2 is an illustrative view of the present invention aligning a putt.

FIG. 3 is an illustrative view of the present invention aligning a fairway approach shot.

FIG. 4 is an illustrative view of the present invention while not in use.

3

FIG. 5 is a front view of the present invention,
 FIG. 6 is a side profile view of the present invention,
 FIG. 7 is an end profile view of the present invention.
 FIG. 8 is a prospective view of the present invention.
 FIG. 9 is a cross sectional view of the present invention
 in reference to front view in FIG. 5.
 FIG. 10 is a cross sectional view of the present invention
 in reference to side profile view in FIG. 6.

LIST OF REFERENCE NUMERALS

With regard to reference numerals used, the following
 numbering is used throughout the drawings.

10 present invention
 12 golf ball
 14 hole
 16 green
 18 golfer
 20 golf club
 22 upper horizontal aperture
 24 lower horizontal aperture
 26 vertical aperture
 28 golf bag
 30 base
 32 handle
 34 upper centerline
 36 lower centerline
 38 flare
 40 holes

DETAILED DESCRIPTION OF THE PREFERRED EMBODIMENT

The following discussion describes in detail one embodi-
 ment of the invention. This discussion should not be
 construed, however, as limiting the invention to those par-
 ticular embodiments, since practitioners skilled in the art
 will recognize numerous other embodiments as well. For a
 definition of the complete scope of the invention, the reader
 is directed to the appended claims.

Turning to FIG. 1, shown therein is an illustrative view of
 the prior art method of aligning a putt. FIG. 1 is a typical
 method of aligning the golf ball 12 with the hole 14 on a
 green 16 of a golf course. The golfer 18 holds the handle end
 of the golf club 20 and allows the opposite end of the club
 to hang freely toward the ground. The golf club 20 creates
 a plumb line that is used to identify a straight path toward the
 hole. Unfortunately this method used to identify a straight
 path is hindered by the golfer's 18 inability to see directly to
 the hole 14. Due to the club handles interference with the
 sight line, the golfer 18 is required to move around the club
 handle to gain clear sight of the hole 14.

Turning to FIG. 2, shown therein is an illustrative view of
 the present invention 10 aligning a putt. FIG. 2 exhibits an
 alignment paddle 10 aligning the golf ball 12 with the hole
 14 on a green 16 of a golf course. The present invention 10
 has an upper 22 and lower 24 horizontal aperture and an
 elongated vertical aperture 26. To align the golf ball 12
 with the hole 14, position the alignment paddle 10 such that
 the golf ball 12 is visible in the lower horizontal centering
 line slot 24 and the hole 14 in the green is visible in the
 upper horizontal centering line slot 22. Once both 12, 14
 are visible, a straight path from the ball 12 to the hole 14
 on the green 16 is defined.

Turning to FIG. 3, shown therein is an illustrative view of
 the present invention 10 aligning a fairway approach shot.
 FIG. 3 exhibits an alignment paddle 10 aligning a golf ball

4

12 with the hole 14 in the fairway. The alignment paddle 10
 can be used for proper straight alignment on any golf shot.
 For alignment of a shot of greater distance, back away from
 the ball 12 and position the alignment paddle 10 such that
 the golf ball 12 is visible in the lower horizontal centering
 line slot 24 and the hole 14 in the green is visible in the
 upper horizontal centering line slot 22. Once both are visible,
 a straight path from the ball 12 to the hole 14 on the green
 is defined.

Turning to FIG. 4, shown therein is an illustrative view of
 the present invention 10 while not in use. FIG. 4 exhibits an
 alignment paddle 10 being fastened to the golf bag 28 while
 not in use. The lightweight and proficient size of the
 alignment paddle 10 allows the alignment paddle to be
 stored in the golf bag 28 or attached to the golf bag as
 shown.

Turning to FIG. 5, shown therein is a front view of the
 present invention 10. The alignment paddle consists of a
 paddle base 30, a vertical aperture 26, two parallel hori-
 zontal apertures 22, 24, and a handle 32. The handle 32
 having a flared end 38 is held by hand and positioned in
 front of the golfer's line of sight. The vertical aperture 26
 is positioned such that the golf ball is visible through the
 lower centerline 36 and the intended target is visible
 through the upper centerline 34. Once this alignment is
 achieved, a straight line from the ball to the intended
 target is defined.

Turning to FIG. 6, shown therein is a side profile view of
 the present invention 10. The paddle base 30 has flat
 surfaces on both sides. The handle 32 is flat with a flare
 38 at the end to allow for a comfortable grip of the
 alignment paddle.

Turning to FIG. 7, shown therein is an end profile view of
 the present invention 10. FIG. 7 exhibits the alignment
 paddle shown with the handle 32 side end profile view.
 Each of the surfaces is rounded in order to limit sharp
 edges and potential hazard. Also shown is the paddle
 base 32.

Turning to FIG. 8, shown therein is a prospective view of
 the present invention 10. The alignment paddle 10 includes
 two parallel horizontal apertures 22, 24 that intersect
 with the vertical aperture 26 creating upper and lower
 center lines. The horizontal apertures 22, 24 also
 provide for straight alignment in the event of a slope in
 the elevation of the green that would result in a break
 in the putt. In such case, the hole in the green would
 be visible at either side of the upper horizontal
 aperture 22, thus allowing for straight alignment to
 either side of the hole and visibility of the hole
 through the horizontal aperture.

Turning to FIG. 9, shown therein is a cross sectional
 view of the present invention 10 in reference to front
 view illustrated in FIG. 5. The alignment paddle 10
 includes a series of through holes 40 in the handle
 enabling the alignment paddle to be fastened to the side
 of a golf bag while the alignment paddle is not in use.
 In addition, the through holes 40 reduce the weight,
 of the alignment paddle without reducing the rigidity
 of the handle. Other elements previously disclosed
 are also shown.

Turning to FIG. 10, shown therein is a cross section of
 the side profile view illustrated in FIG. 6. The align-
 ment paddle 10 is composed of one continuous molded
 object that can be manufactured with various materials
 to achieve ideal weight and style. In addition, the
 size and form of the alignment paddle 10 can be
 altered with curtailing the objectives of the present
 invention. Other elements previously disclosed are
 also shown.

5

I claim:

1. An apparatus to allow a user to align a golf ball with an intended target comprising:

a) an elongated base, said base being flat having an upper and a lower end, said base having a vertical aperture therein, an upper aperture therein, and a lower aperture therein;

b) wherein said upper and lower apertures intersect with said vertical aperture thereby forming an upper centerline and a lower centerline to permit the user to view the intended target in the upper centerline and the ball in the lower centerline thereby aligning the ball and the intended target; and,

c) a handle disposed on said lower end of said handle to permit a user to grasp thereto.

2. The apparatus of claim 1, wherein said handle is flared so that a user can easily grasp the handle.

3. The apparatus of claim 2, wherein said handle has a plurality of holes therein to reduce the weight of the apparatus and provide a plurality of holes with which to attach the handle to a golf bag.

4. The apparatus of claim 3, wherein the edges of the apparatus are rounded so as to prevent injury to a user.

5. A method to allow a user to align a golf ball with an intended target comprising the steps of:

6

a) providing an elongated base, the base being flat having an upper and a lower end, the base having a vertical aperture therein, an upper aperture therein, and a lower aperture therein;

b) placing the upper and lower apertures in a position so that they intersect with the vertical aperture thereby forming an upper centerline and a lower centerline to permit the user to view the intended target in the upper centerline and the ball in the lower centerline;

c) forming a handle on the lower end of the base to permit a user to grasp thereto; and,

d) viewing the intended target through the upper centerline and the ball through the lower centerline thereby aligning the ball and the intended target.

6. The method of claim 5, further comprising the step of viewing the upper portion of a downwardly sloping green surface through the upper centerline thereby making visible the hole in the green to the left of the centerline of a left-hand breaking green.

7. The method of claim 6, further comprising the step of viewing the upper portion of a downwardly sloping green surface through the upper centerline thereby making visible the hole in the green to the right of the centerline of a right-hand breaking green.

* * * * *