



US00D386115S

United States Patent [19]
Vanschaik

[11] **Patent Number:** **Des. 386,115**
[45] **Date of Patent:** ****Nov. 11, 1997**

[54] **FLOWER TOWER**

[76] **Inventor:** **Hank J. Vanschaik**, 501 Pine Alley,
Pulaski, Va. 24301

[**] **Term:** **14 Years**

[21] **Appl. No.:** **45,155**

[22] **Filed:** **Oct. 11, 1995**

[51] **LOC (6) Cl.** **11-02**

[52] **U.S. Cl.** **D11/152**

[58] **Field of Search** **D11/143-146,**
D11/152, 155; D6/403, 405, 556; 47/30,
33, 66, 69, 75, 39, 41.01, 44; 206/423;
248/27.8; D19/77

[56] **References Cited**

U.S. PATENT DOCUMENTS

D. 129,286 9/1941 Hayt D11/152 X
D. 205,595 8/1966 Titus D11/155 X

D. 207,915 6/1967 Zimmerman D11/152
D. 325,396 4/1992 Nascher D19/77 X
D. 367,408 2/1996 Fordyce D19/77 X

Primary Examiner—Caron D. Veynar
Attorney, Agent, or Firm—Michael I. Kroll

[57] **CLAIM**

The ornamental design for the flower tower, as shown and described.

DESCRIPTION

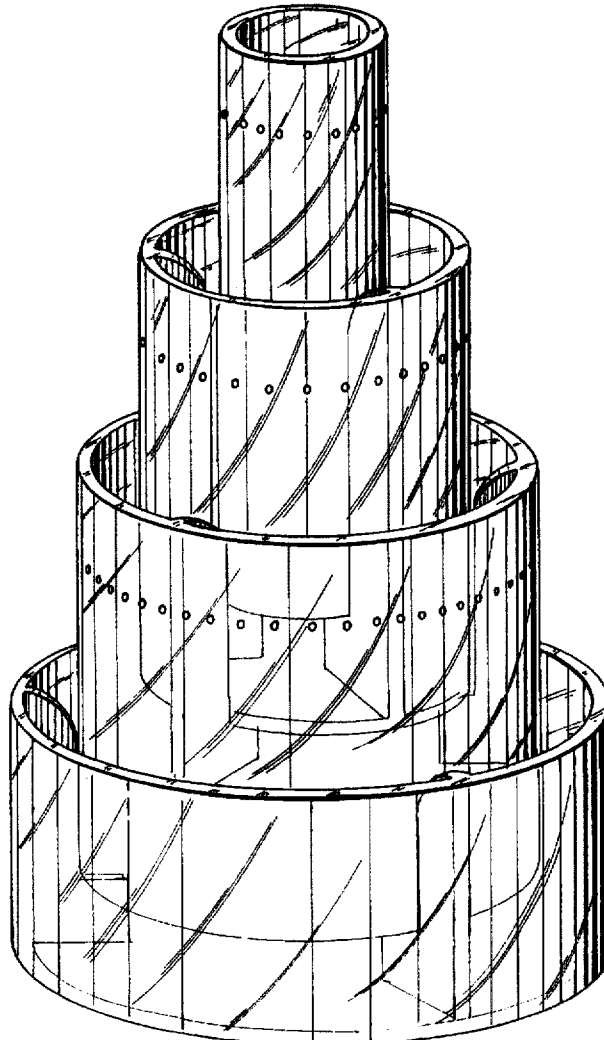
FIG. 1 is a front perspective view of the flower tower showing my new design;

FIG. 2 is a top plan view of the flower tower showing my new design;

FIG. 3 is a bottom plan view of the flower tower showing my new design; and,

FIG. 4 is a perspective view showing portions cut away.

1 Claim, 3 Drawing Sheets



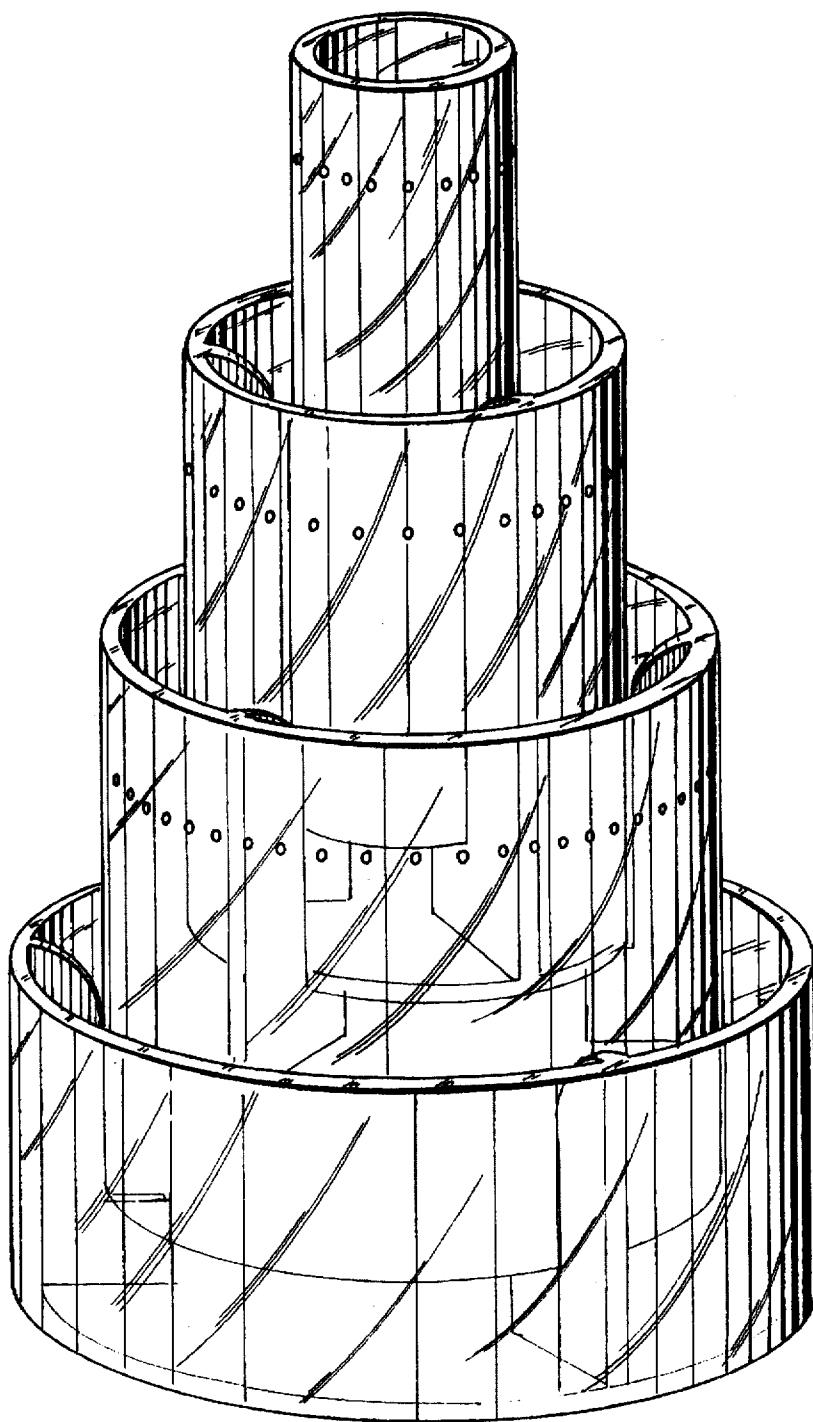


Fig. 1

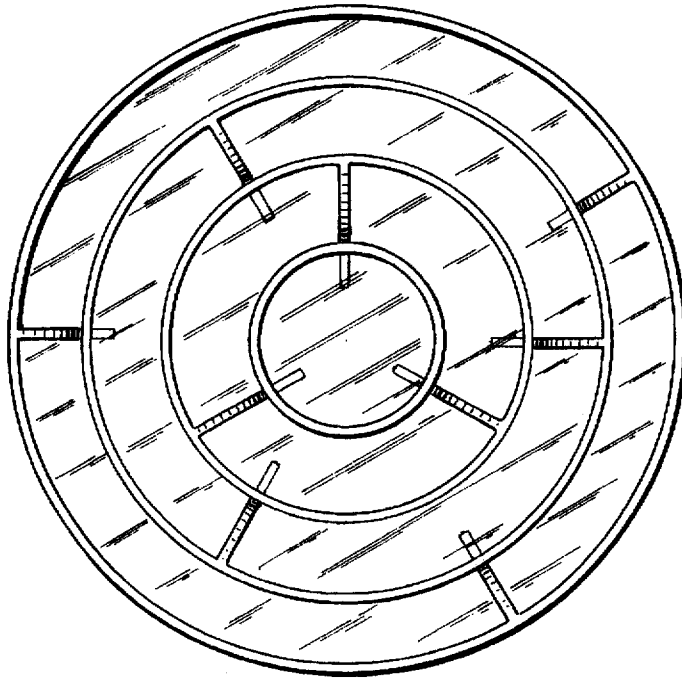


Fig. 2

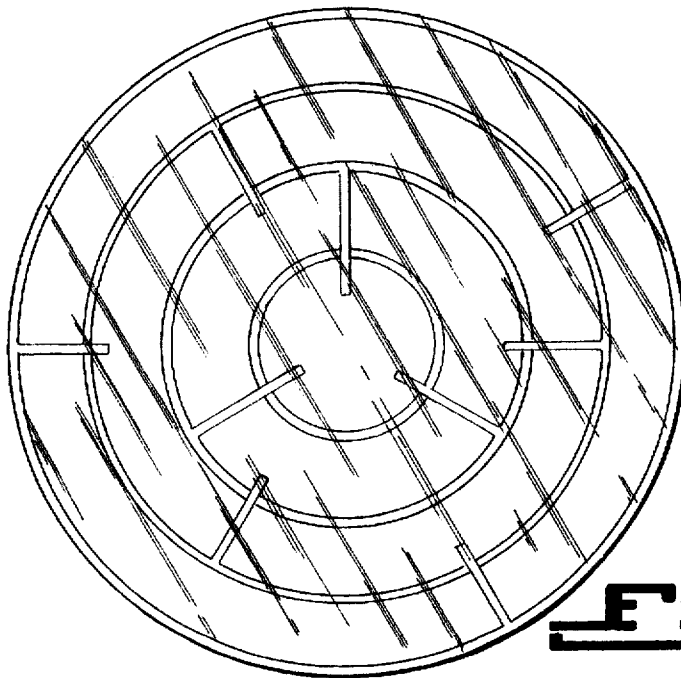


Fig. 3

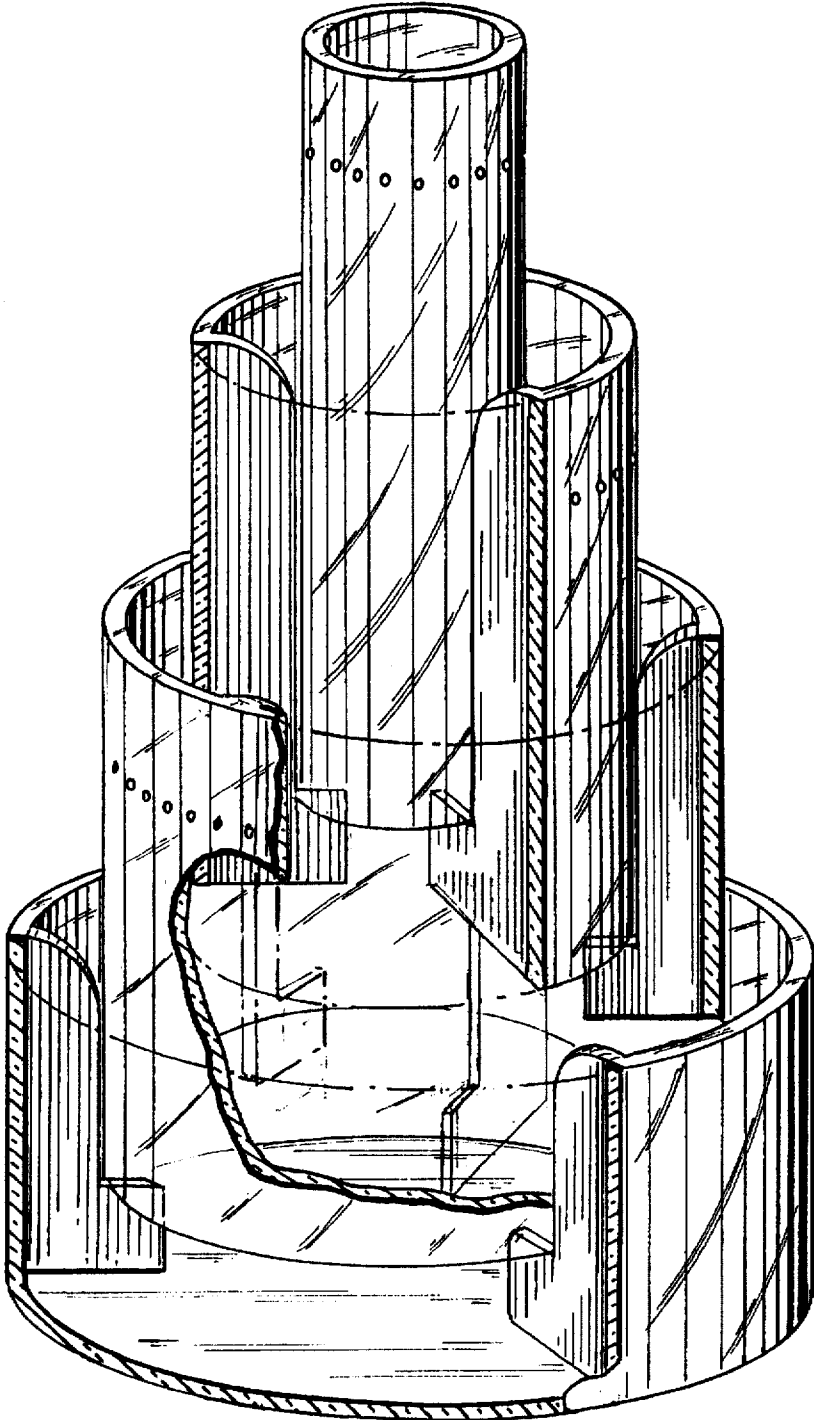


Fig. 4