



US00D412727S

United States Patent [19]

[11] Patent Number: **Des. 412,727**

Clauser, Sr.

[45] Date of Patent: **** Aug. 10, 1999**

[54] **TOY CARTON**

[76] Inventor: **Donald F Clauser, Sr.**, 517 N. 7th St.,
Leavonworth, Kans. 66048

[**] Term: **14 Years**

D. 263,325	3/1982	Kanaoki	D21/128
D. 279,589	7/1985	Marshall	D21/78
D. 282,032	1/1986	Lemmeyer	D21/140
D. 282,266	1/1986	Richards	D21/140
D. 350,282	9/1994	Lenterman	D21/78
D. 350,284	9/1994	Ran	D21/78
4,571,205	2/1986	Zaruba et al.	446/424

[21] Appl. No.: **29/068,854**

[22] Filed: **Apr. 2, 1997**

[51] **LOC (6) Cl.** **21-01**

[52] **U.S. Cl.** **D21/522**

[58] **Field of Search** D21/71-81, 128,
D21/129, 131, 132, 134, 136, 137, 140,
141; 446/420, 424, 425, 427, 433, 440,
454, 456, 457, 462, 465, 470; D9/308,
416, 417; 280/1.13, 828, 87.01

Primary Examiner—Raphael Barkai
Attorney, Agent, or Firm—Michael I. Kroll

[57] CLAIM

The ornamental design for a toy carton, as shown and described.

DESCRIPTION

FIG. 1 is a front, left side perspective view of a toy carton showing my new design;

FIG. 2 is a rear, left side perspective view thereof; and,

FIG. 3 is an end view of a toy carton showing my new design.

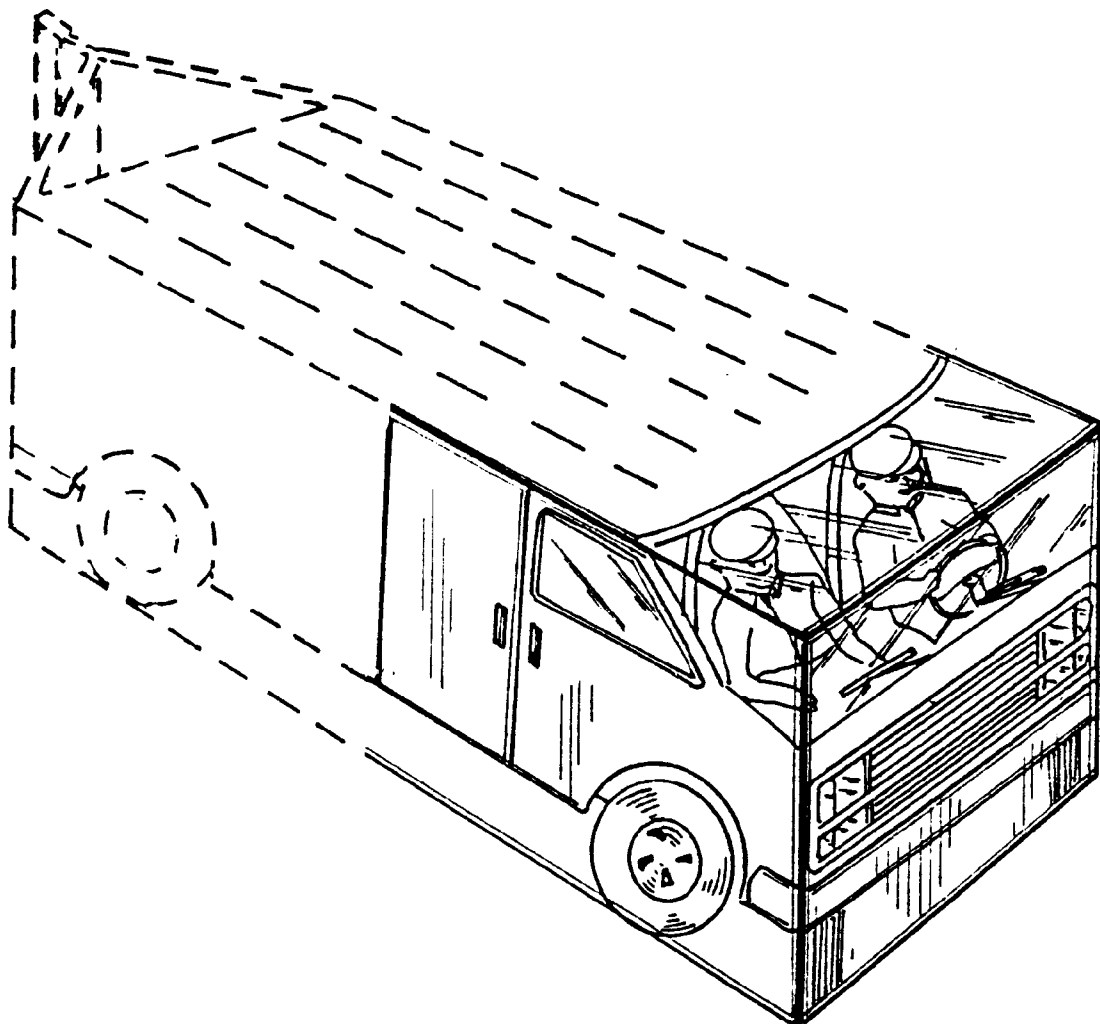
The broken lines shown in FIGS. 1 and 2 is for illustrative purposes only and forms no part of the claimed design.

[56] References Cited

U.S. PATENT DOCUMENTS

D. 115,668	7/1939	Fageol	D21/140
D. 220,198	3/1971	Clauser, Sr.	D21/140
D. 256,188	8/1980	Davidson	D21/140

1 Claim, 3 Drawing Sheets



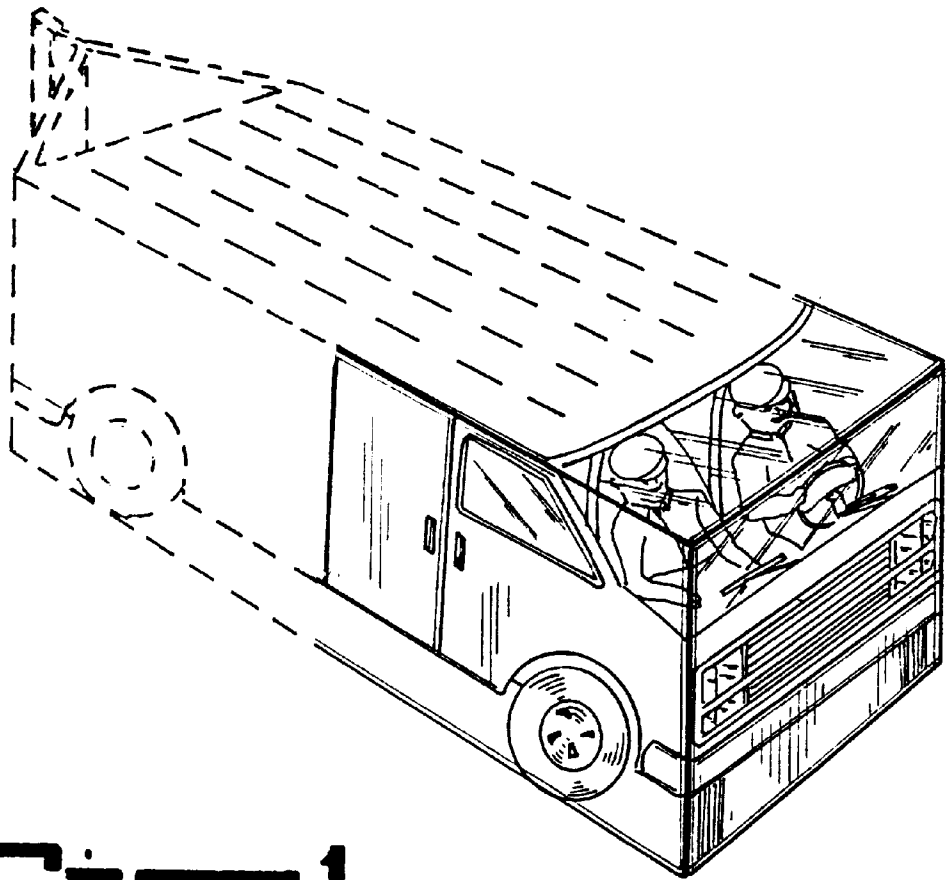


Fig. 1

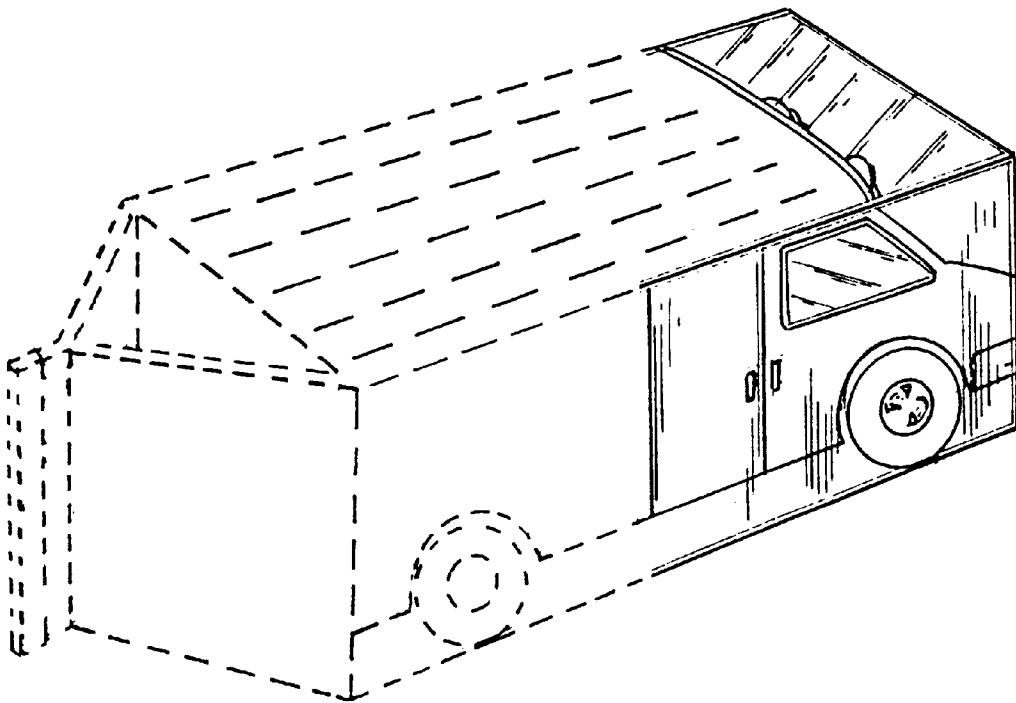


Fig. 2

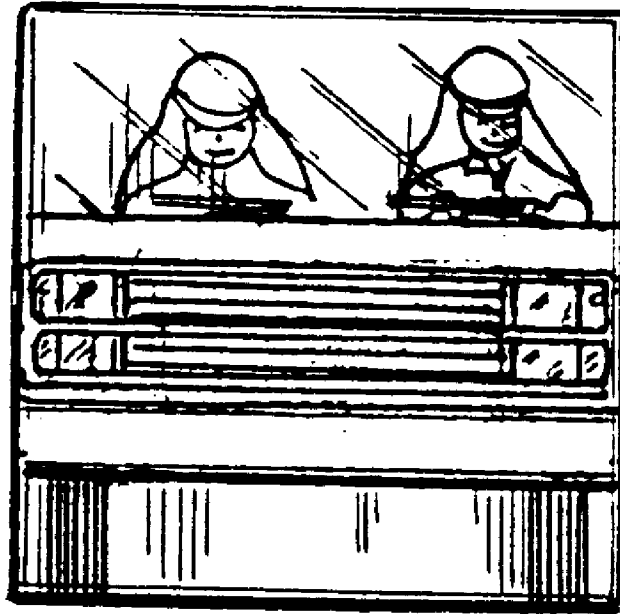


Fig. 3