



US00D413441S

**United States Patent** [19]  
**Dennehy**

[11] **Patent Number: Des. 413,441**  
[45] **Date of Patent: \*\* Sep. 7, 1999**

[54] **GIFT BASKET**

[76] Inventor: **Joyce Dennehy**, 767 Vivian Ct.,  
Baldwin, N.Y. 11510

[\*\*] Term: **14 Years**

[21] Appl. No.: **29/085,395**

[22] Filed: **Mar. 23, 1998**

[51] **LOC (6) Cl.** ..... **03-01**

[52] **U.S. Cl.** ..... **D3/306**

[58] **Field of Search** ..... D3/306; D7/709;  
217/122-125; 220/493, 660, 752, 760, 769,  
773

[56] **References Cited**

**U.S. PATENT DOCUMENTS**

D. 310,643	9/1990	Morando	.....	D3/306 X
D. 319,199	8/1991	Lomeli	.....	D3/306 X
D. 330,448	10/1992	Owen	.....	D3/307
2,269,657	1/1942	Franke	.....	220/660

*Primary Examiner*—Ted Shooman  
*Assistant Examiner*—Richelle Shelton  
*Attorney, Agent, or Firm*—Michael I. Kroll

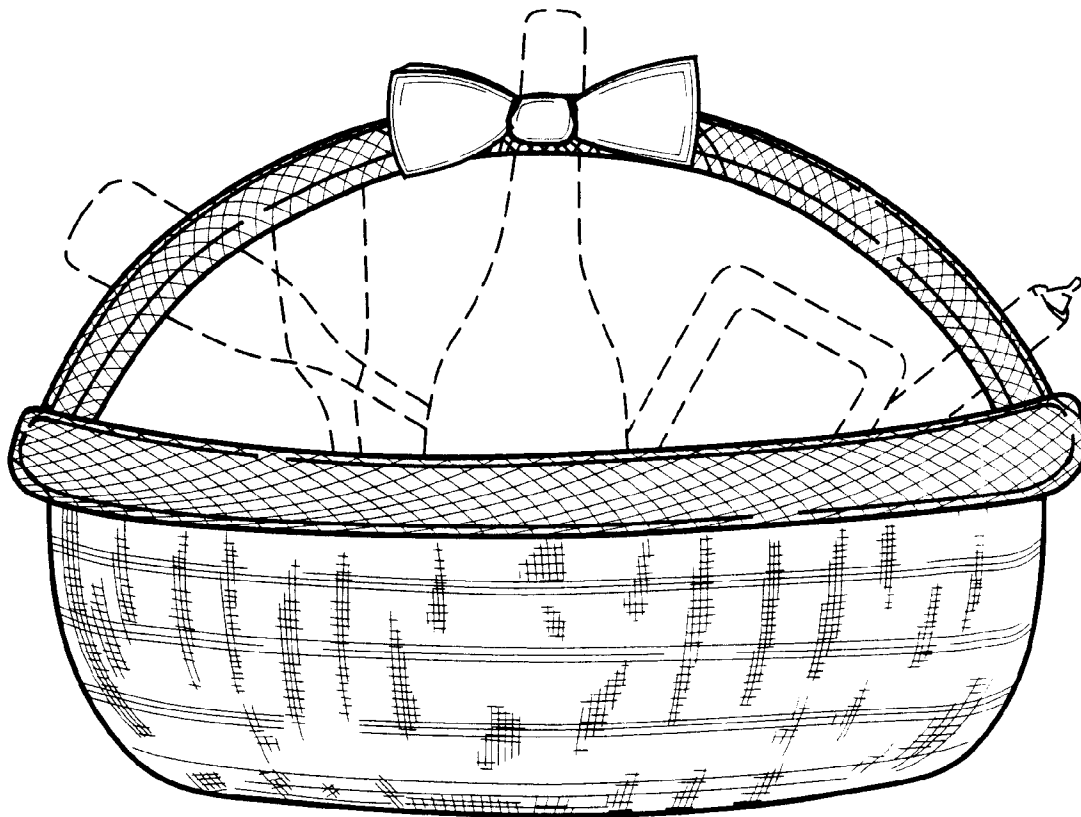
[57] **CLAIM**

The ornamental design for a gift basket, as shown and described.

**DESCRIPTION**

FIG. 1 is a front elevation view of a gift basket showing my new design;  
FIG. 2 is a right side elevation view of a gift basket showing my new design, the left side elevation view being a mirror image;  
FIG. 3 is a top plan view of a gift basket showing my new design;  
FIG. 4 is a bottom plan view of a gift basket showing my new design; and,  
FIG. 5 is an enlarged perspective view of a gift basket showing my new design.

**1 Claim, 3 Drawing Sheets**



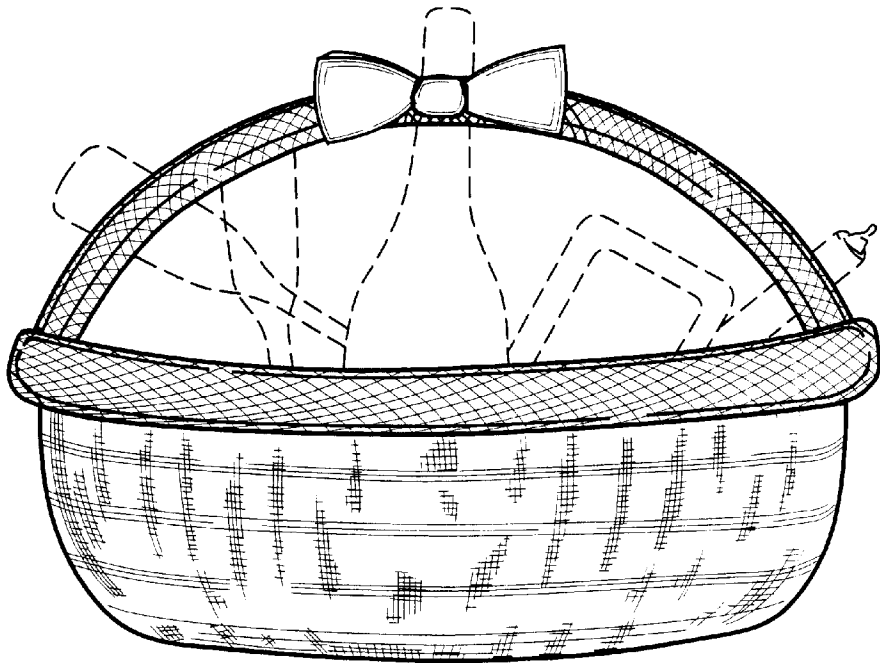


Fig. 1

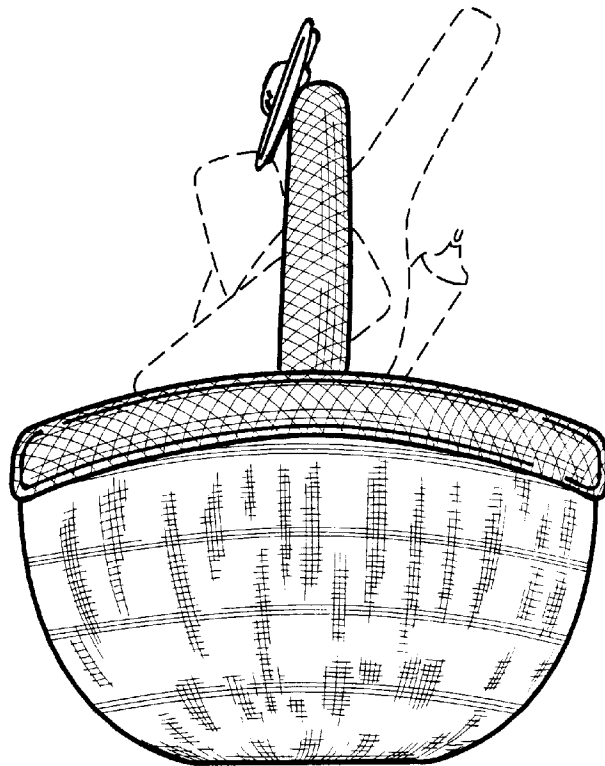


Fig. 2

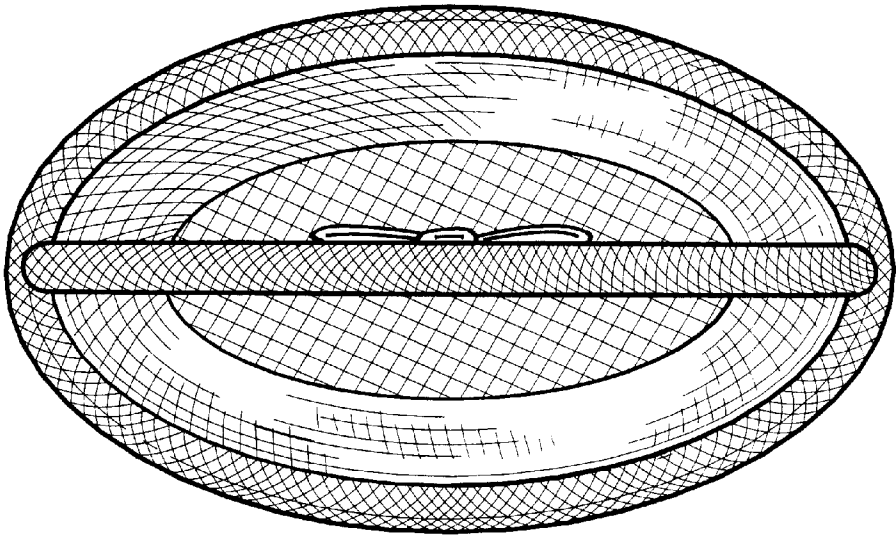


Fig. 3

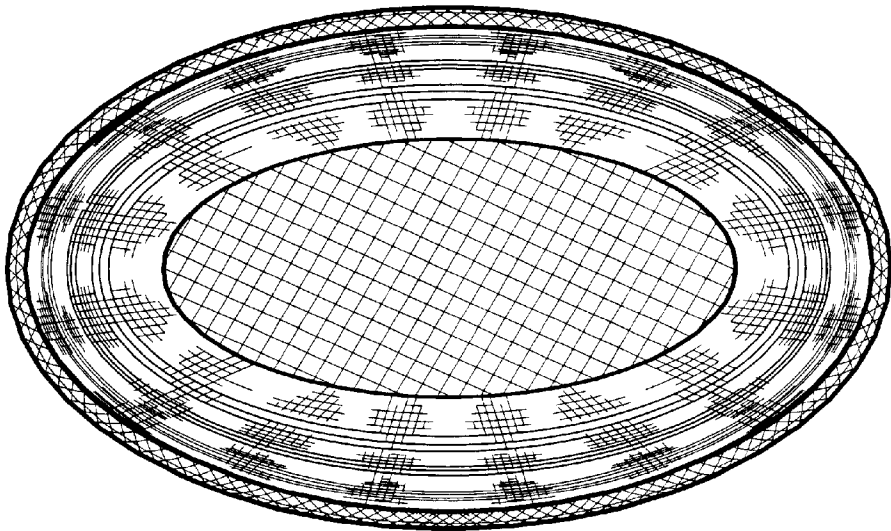


Fig. 4

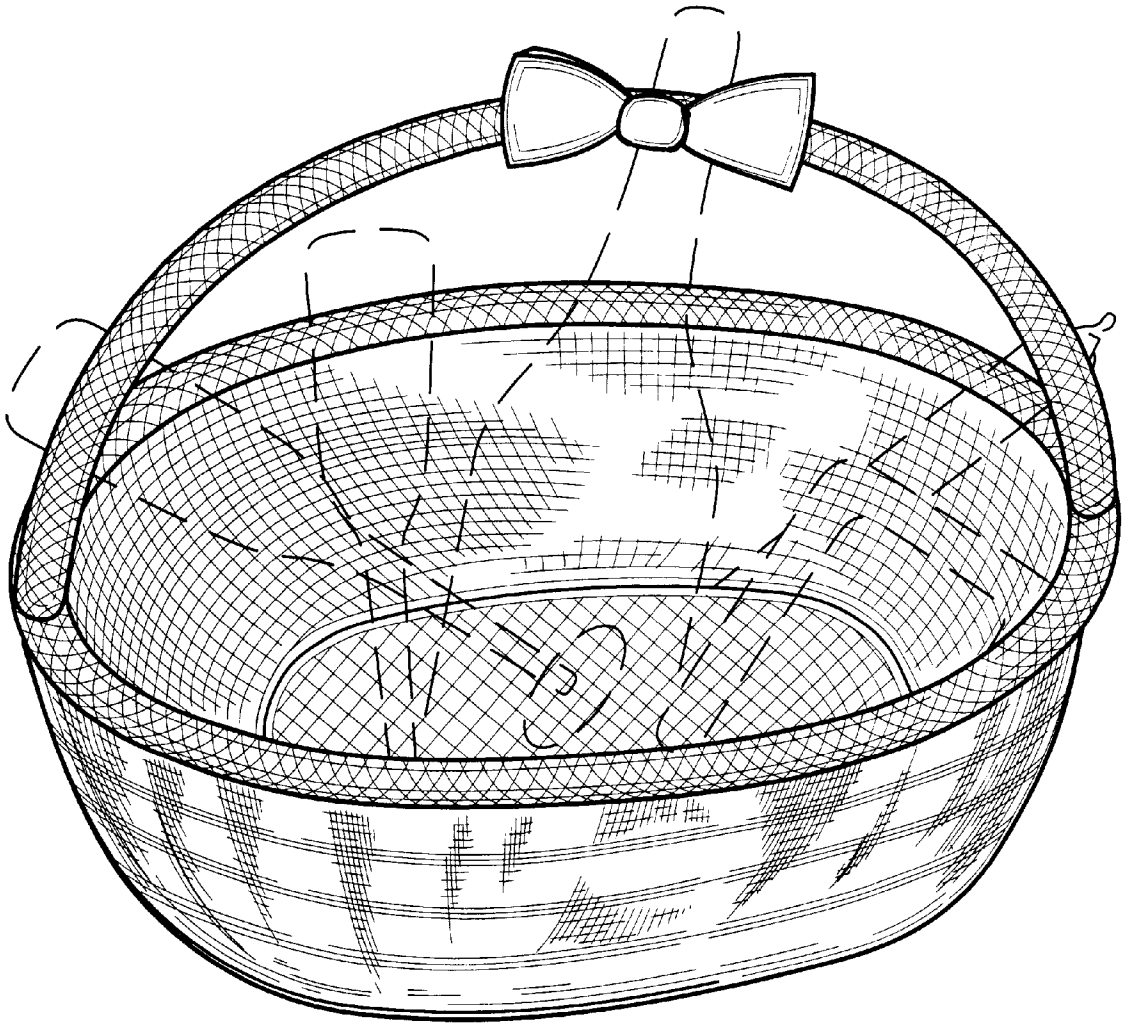


Fig. 5