



US00D413813S

United States Patent [19]

[11] Patent Number: **Des. 413,813**

Butler

[45] Date of Patent: **** Sep. 14, 1999**

[54] **DECORATIVE CLOCK**

2,892,304 6/1959 Eaves .

[76] Inventor: **Edward Butler**, 13 Summit Ridge Dr.,
Newburgh, N.Y. 12550

3,533,228 10/1970 Hurt .

5,751,663 5/1998 Johnson 368/77

[**] Term: **14 Years**

OTHER PUBLICATIONS

Interior Design—1987 Annual Design Review—p. 8
9—watches.

[21] Appl. No.: **29/088,139**

Primary Examiner—Nelson C. Holtje

[22] Filed: **May 15, 1998**

Attorney, Agent, or Firm—Michael I. Kroll

[51] **LOC (6) Cl.** **10-01**

[57] CLAIM

[52] **U.S. Cl.** **D10/22; D10/126**

The ornamental design for a decorative clock, as shown and described.

[58] **Field of Search** D10/1-40, 122-132;
368/223, 228-229, 232, 280-282, 285

DESCRIPTION

[56] **References Cited**

FIG. 1 is a front elevation view of a decorative clock showing our new design;

U.S. PATENT DOCUMENTS

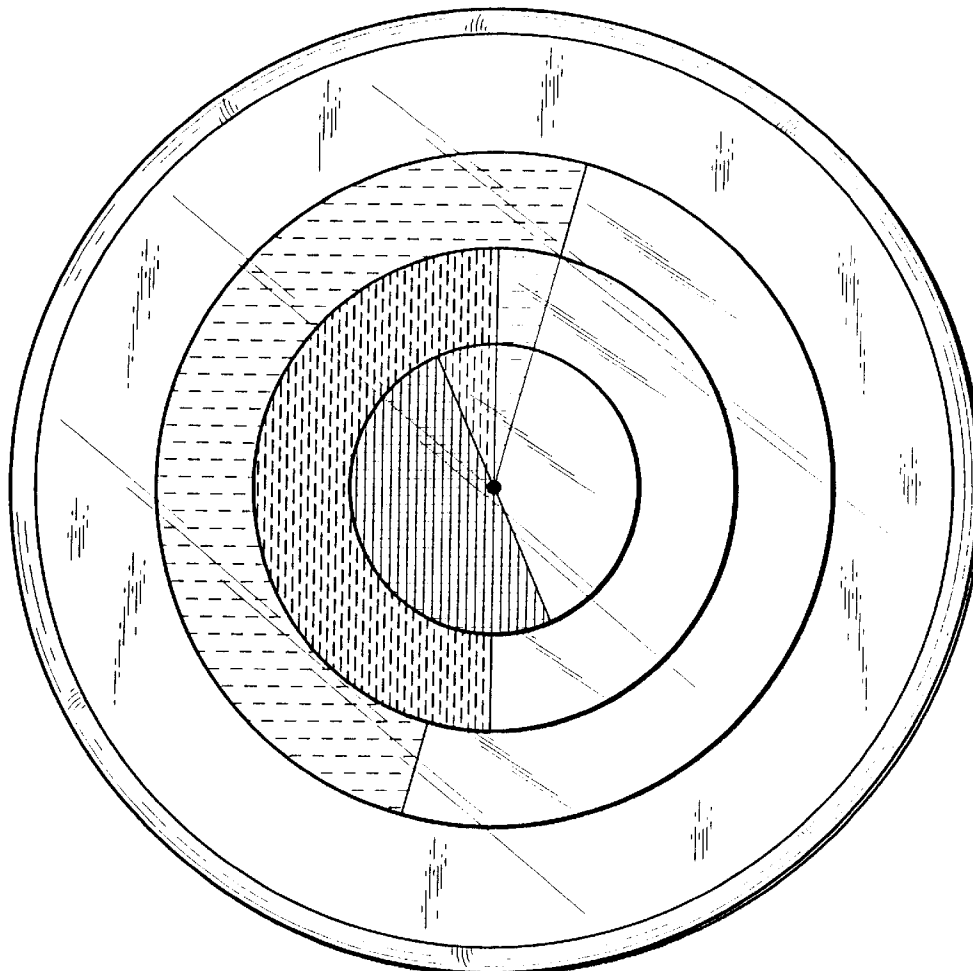
D. 224,550	8/1972	Fainsilber .	
D. 245,406	8/1977	Webb	D10/126
D. 357,963	5/1995	Amburgey et al.	D21/342
D. 360,593	7/1995	McLaughlin	D10/39
D. 364,352	11/1995	Dumas	D10/126
D. 364,828	12/1995	Dumas	D10/126
D. 401,526	11/1998	Stunder	D10/126
1,475,800	11/1923	Creasy .	
2,723,527	11/1955	Smith .	

FIG. 2 is a top plan view of an decorative clock showing our new design;

FIG. 3 is a back elevation view of an decorative clock showing our new design; and,

FIG. 4 is a right side elevation view of an decorative clock showing our new design.

1 Claim, 4 Drawing Sheets



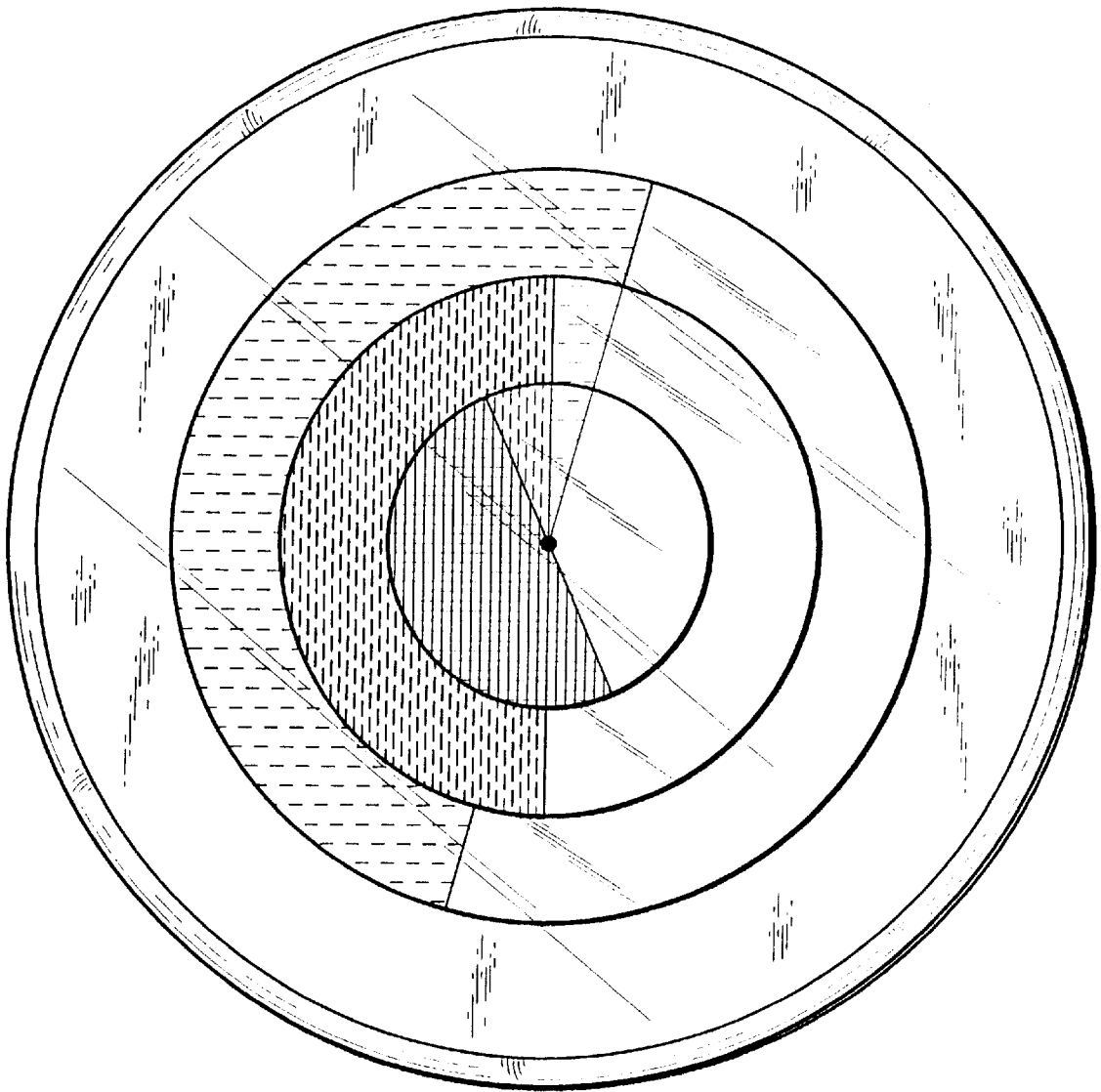


FIG 1



FIG 2

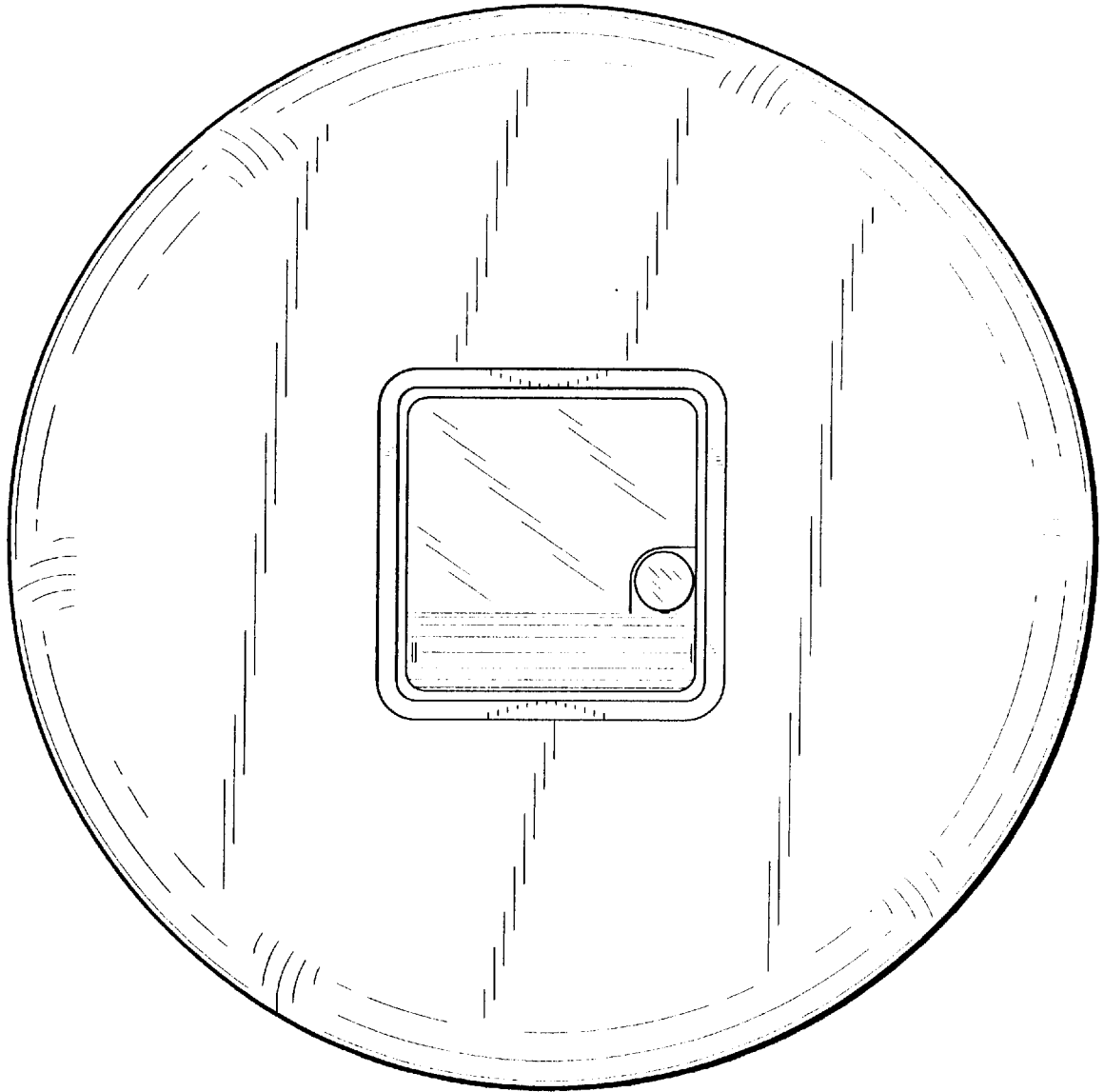


FIG 3

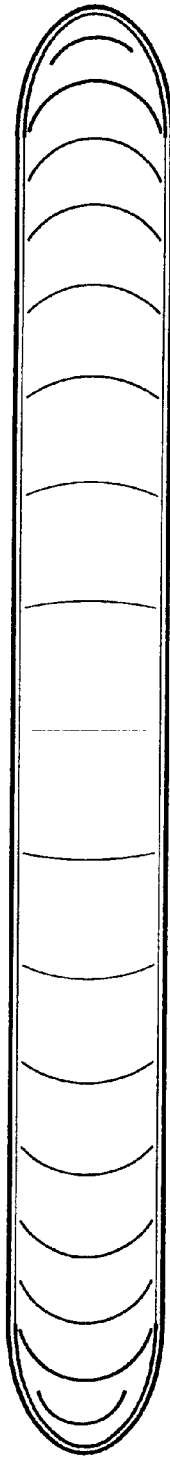


FIG 4