



US00D429899S

United States Patent [19]
Schwartz

[11] **Patent Number: Des. 429,899**

[45] **Date of Patent: ** Aug. 29, 2000**

[54] **PURSE HOLDER**

[76] Inventor: **Roman Schwartz**, 11 Seedling Dr.,
Holland, Pa. 18966

[**] Term: **14 Years**

[21] Appl. No.: **29/114,804**

[22] Filed: **Dec. 1, 1999**

[51] **LOC (7) Cl.** **06-08**

[52] **U.S. Cl.** **D6/327; D6/513; D8/373;**
D3/328

[58] **Field of Search** D6/327, 323, 315,
D6/513, 566; D8/367, 373, 371; 211/118;
248/215, 304, 308, 914, 339; D3/328

[56] **References Cited**

U.S. PATENT DOCUMENTS

D. 229,870	1/1974	Cawey	D6/327 X
D. 256,738	9/1980	Dockery	D3/328
D. 300,882	5/1989	Olson	.	
D. 314,864	2/1991	Creed	D3/328
D. 384,505	10/1997	Stewart	D3/328
2,064,133	12/1936	Von Schroeder	.	
2,473,086	6/1949	Montero	.	
2,532,255	11/1950	Davis	.	
3,860,210	1/1975	Bernardinelli et al.	248/914 X
4,118,001	10/1978	Serkez	.	

4,194,714	3/1980	Schultz	248/308
4,210,302	7/1980	Serkez	.	
5,094,417	3/1992	Creed	248/215
5,358,141	10/1994	Carlson et al.	.	

Primary Examiner—Brian N. Vinson
Attorney, Agent, or Firm—Michael I. Kroll

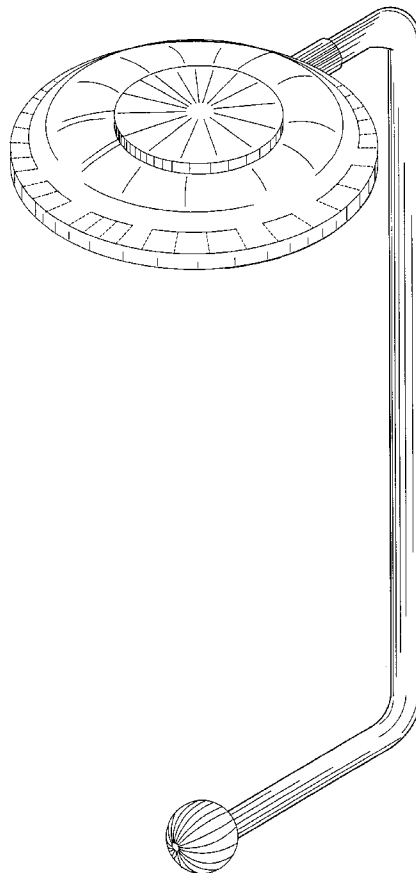
[57] **CLAIM**

The ornamental design for a purse holder, as shown and described.

DESCRIPTION

FIG. 1 is a right side view of the purse holder showing my new design;
 FIG. 2 is a left side view of the purse holder showing my new design;
 FIG. 3 is a top plan view of the purse holder showing my new design; and,
 FIG. 4 is a bottom plan view of the purse holder showing my new design;
 FIG. 5 is a front elevational view of the purse holder showing my new design;
 FIG. 6 is a rear elevational view of the purse holder showing my new design; and,
 FIG. 7 is a perspective view of the purse holder showing my new design.

1 Claim, 7 Drawing Sheets



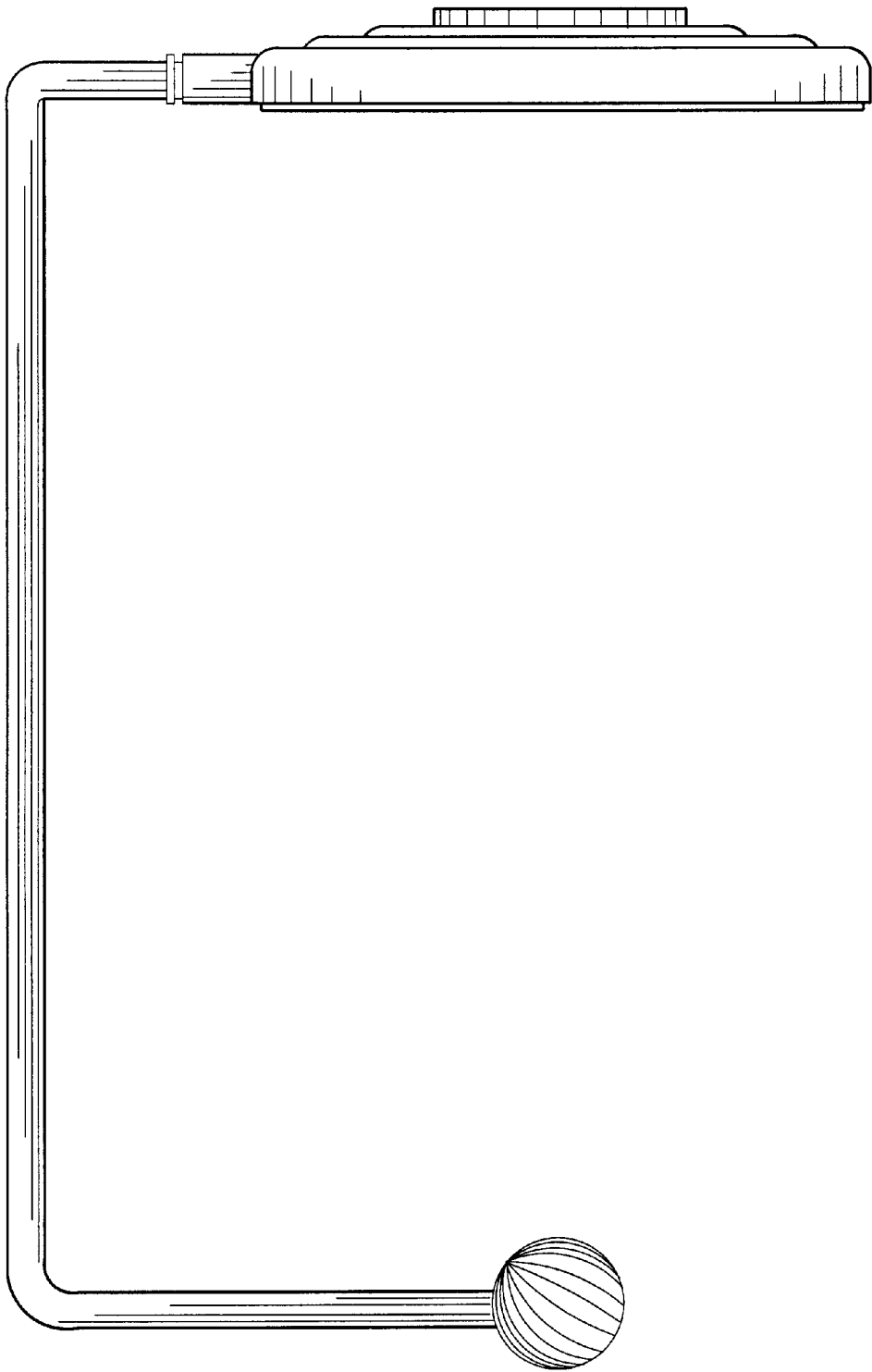


FIG 1

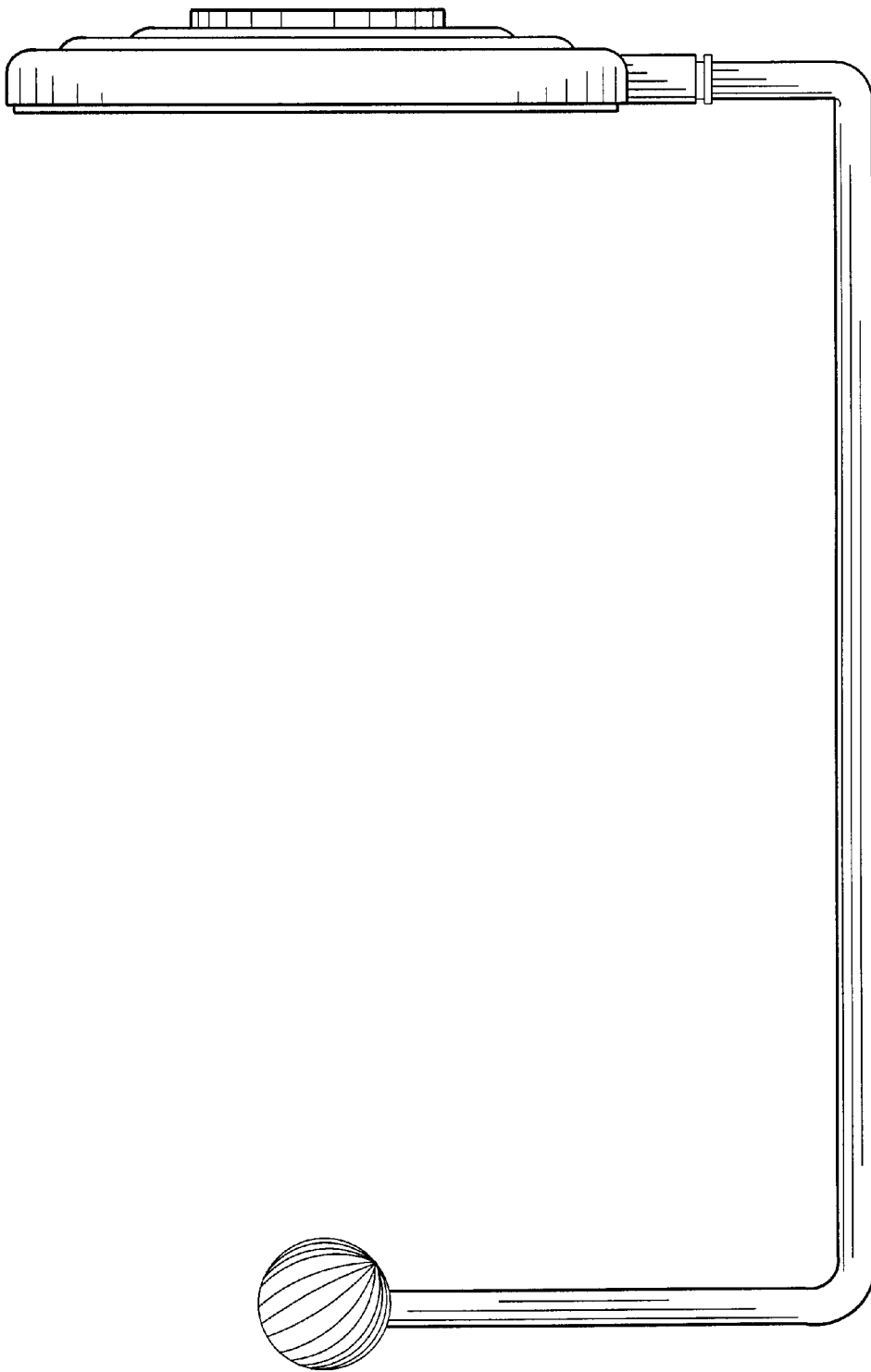


FIG 2

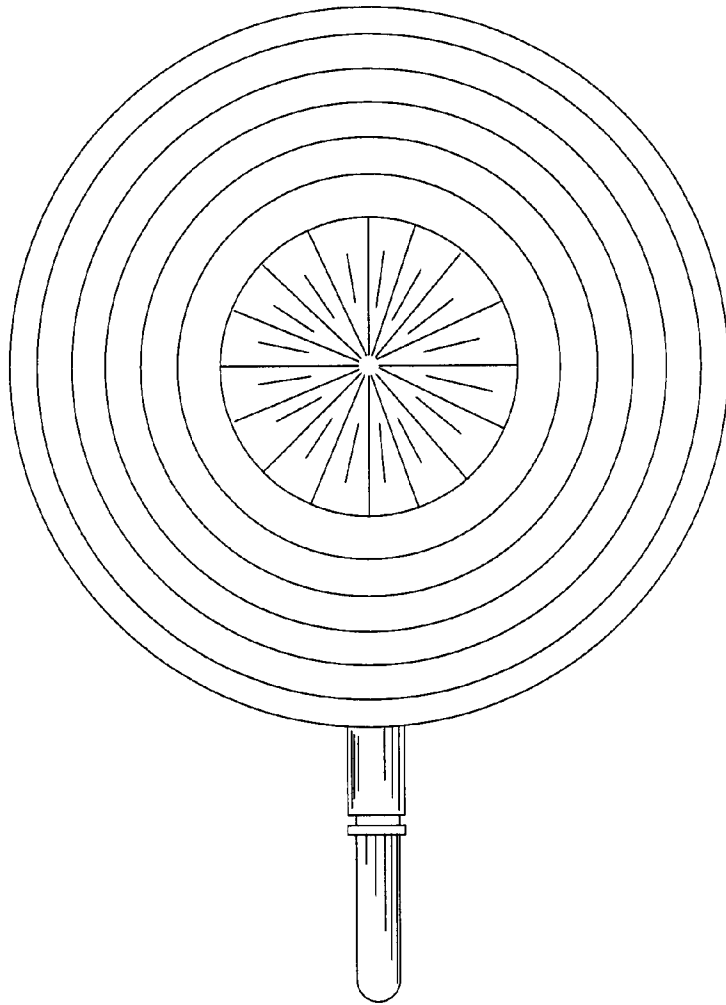


FIG 3

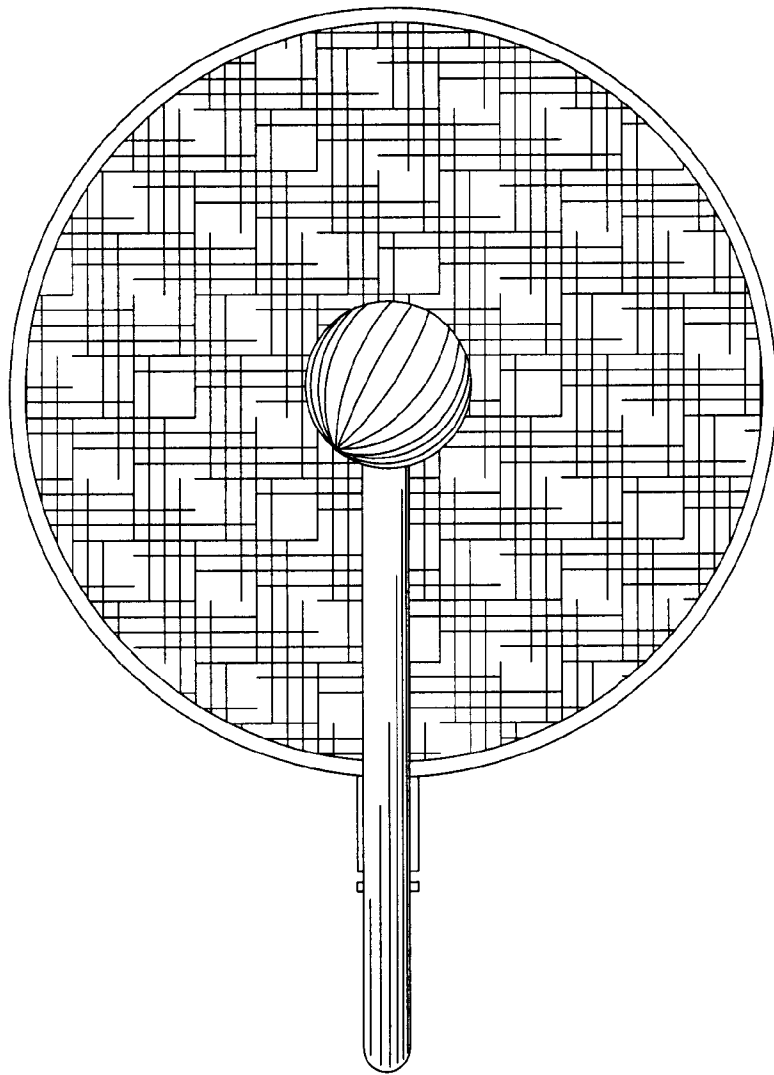


FIG 4

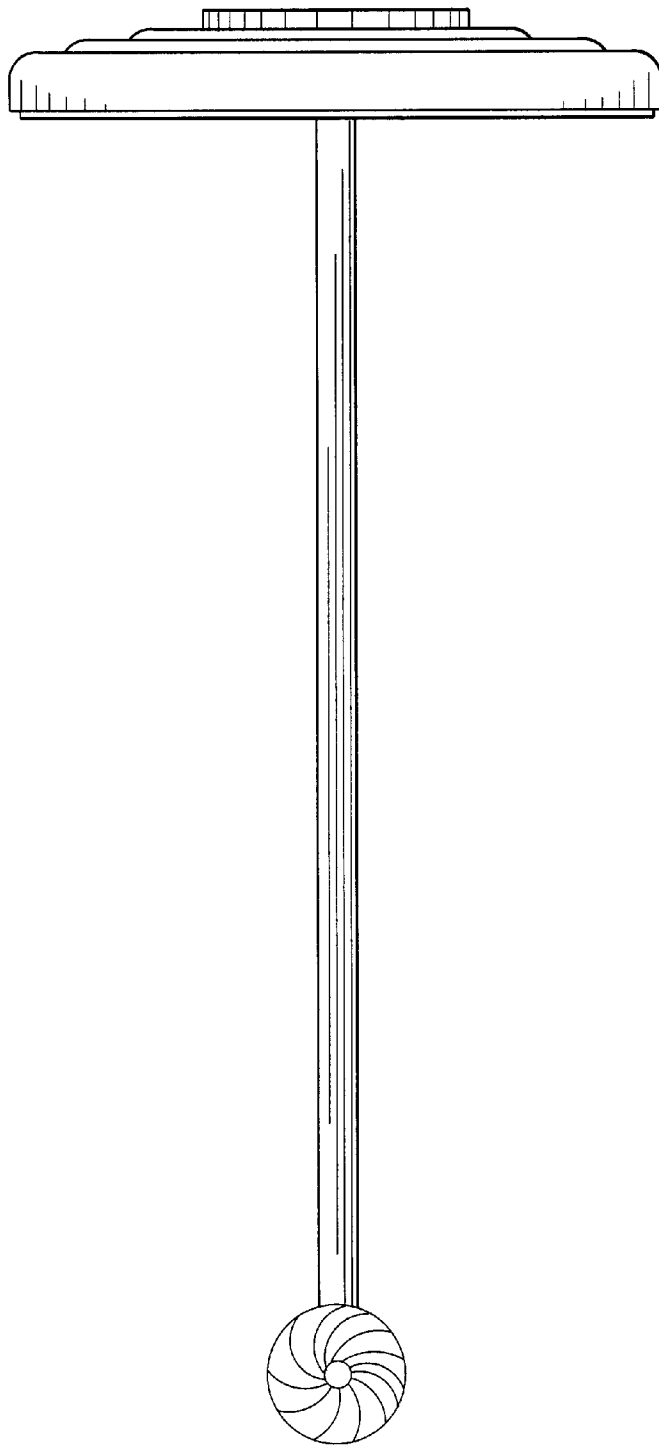


FIG 5

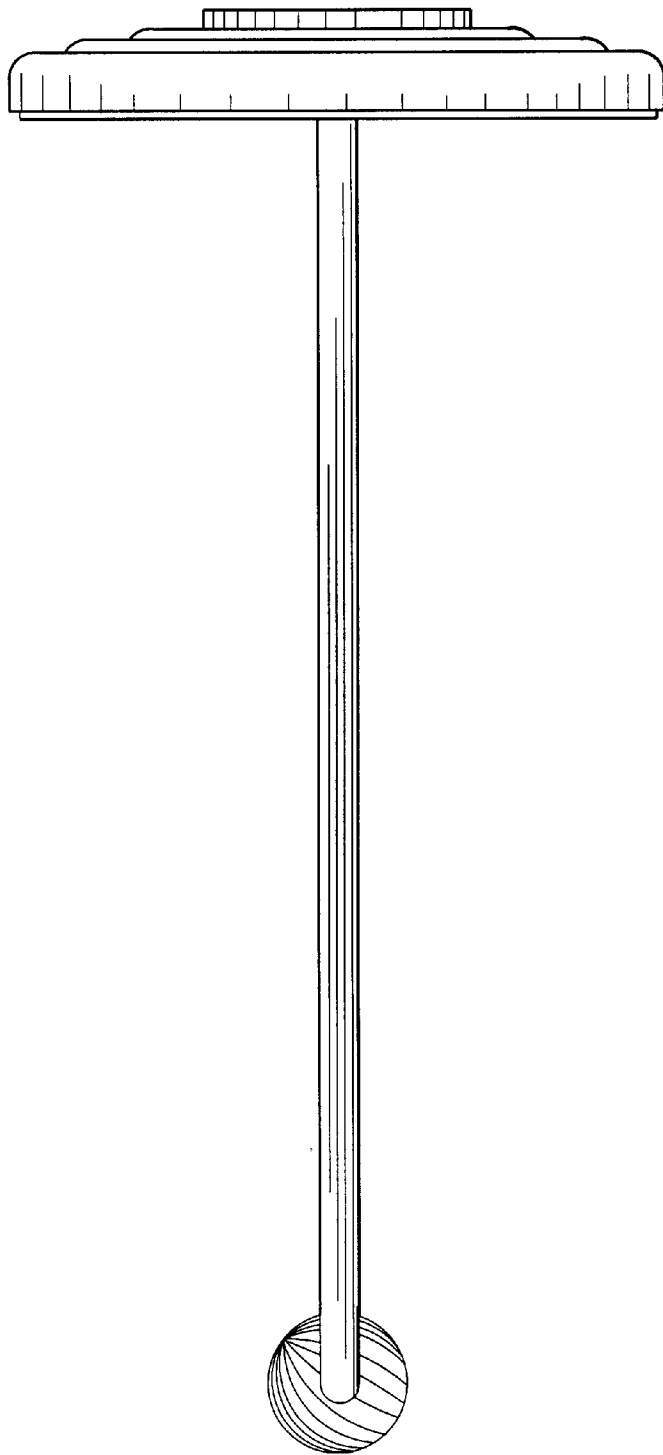


FIG 6

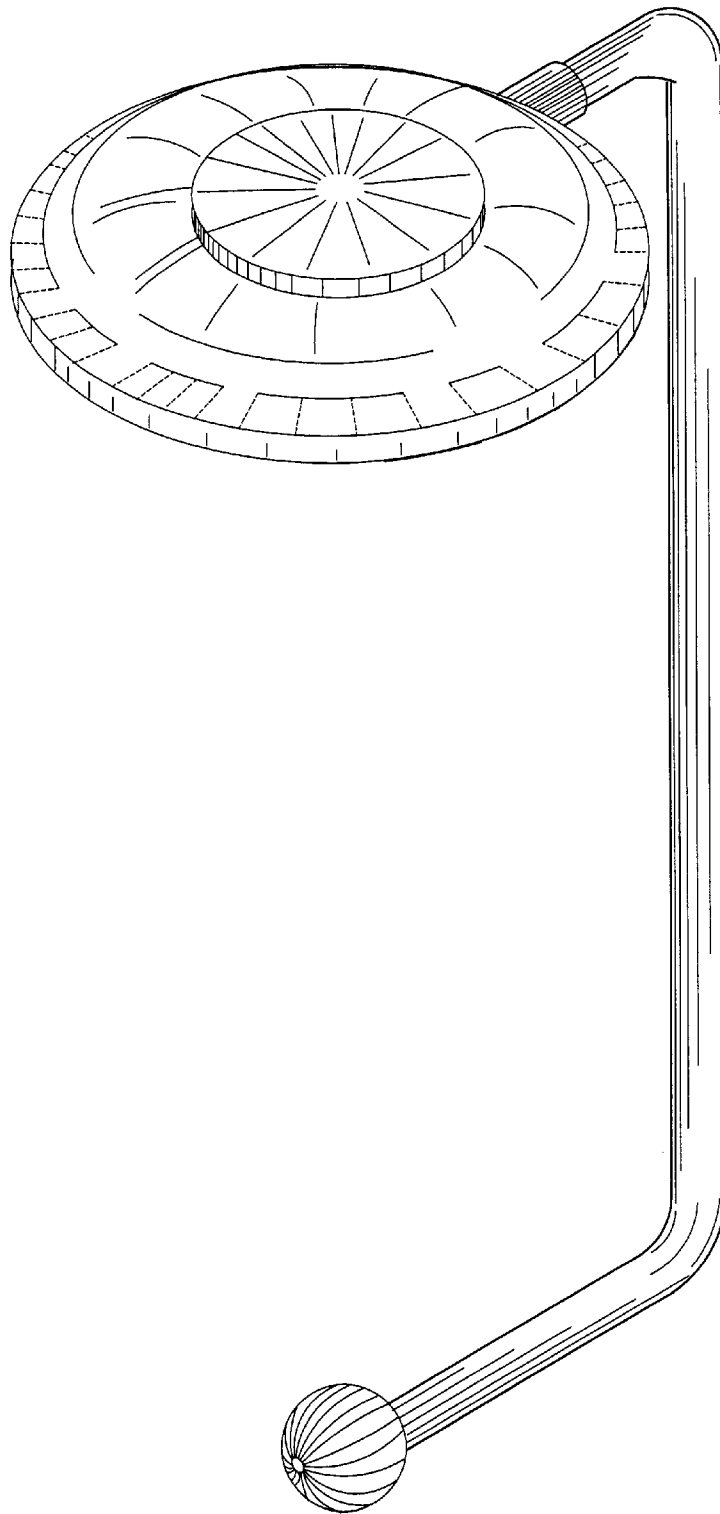


FIG 7