



US00D736022S

(12) **United States Design Patent**
Vo

(10) **Patent No.:** **US D736,022 S**

(45) **Date of Patent:** **** Aug. 11, 2015**

(54) **SPA PEDICURE CHAIR ARMREST**

D600,950 S * 9/2009 Tran D6/716.3

D645,681 S * 9/2011 Grell D6/716.2

D646,089 S * 10/2011 Mezzera D6/716.3

(71) Applicant: **Thong Vo**, Worcester, MA (US)

* cited by examiner

(72) Inventor: **Thong Vo**, Worcester, MA (US)

Primary Examiner — Sandra Snapp

(**) Term: **14 Years**

(74) *Attorney, Agent, or Firm* — Michael I. Kroll

(21) Appl. No.: **29/508,888**

(57) **CLAIM**

The ornamental design for a spa pedicure chair armrest showing my new design, as shown and described.

(22) Filed: **Nov. 12, 2014**

DESCRIPTION

(51) **LOC (10) Cl.** **06-01**

FIG. 1 is a right perspective view of the spa pedicure chair armrest showing my new design with lower remote-control receptacle;

(52) **U.S. Cl.**

FIG. 2 is a front elevation view of the spa pedicure chair armrest showing my new design with lower remote-control receptacle;

USPC **D6/716.3**

FIG. 3 is a rear elevation view of the spa pedicure chair armrest showing my new design with lower remote-control receptacle;

(58) **Field of Classification Search**

USPC D6/335, 336, 338, 716.2, 716.3, 334, D6/367, 709, 710, 716.1, 716.4; 297/452.1, DIG. 7; 5/12.1, 12.2; D24/201, 204; D28/56, 61

FIG. 4 is a left side elevation view of the spa pedicure chair armrest showing my new design with lower remote-control receptacle;

CPC A47C 1/02; A47C 1/024; A47C 1/04; A47C 1/06; A47C 7/18; A47C 7/24; A47C 17/00; A47C 17/02; A47C 17/175; A47K 3/02; A47K 3/022

FIG. 5 is a right side elevation view of the spa pedicure chair armrest showing my new design with lower remote-control receptacle;

See application file for complete search history.

FIG. 6 is a top plan view of the spa pedicure chair armrest showing my new design with lower remote-control receptacle; and,

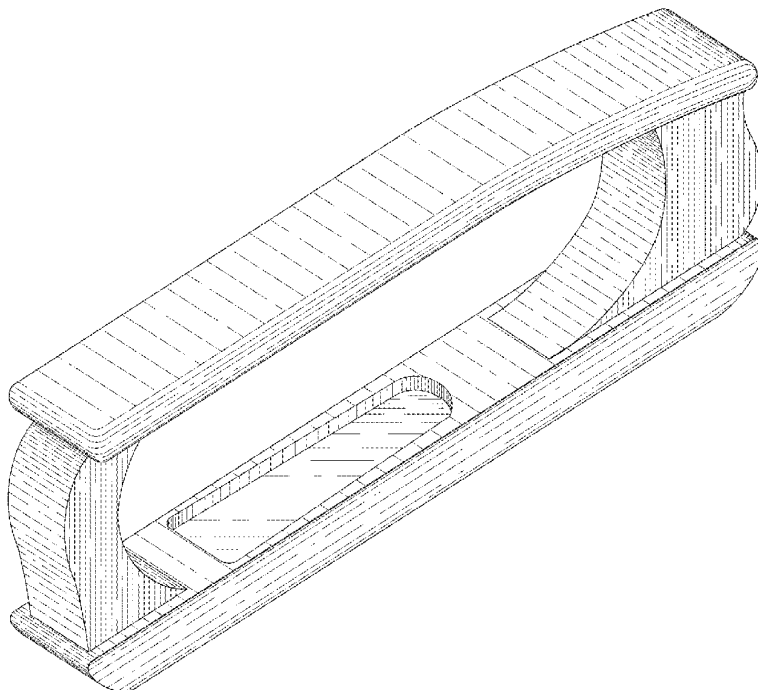
(56) **References Cited**

U.S. PATENT DOCUMENTS

- D408,641 S * 4/1999 Tseng D6/366
- 6,263,080 B1 * 7/2001 Klammer et al. 379/446
- D494,392 S * 8/2004 Wan-Chen D6/716.3
- D536,893 S * 2/2007 Lifeng D6/367
- D537,262 S * 2/2007 Lifeng D6/367

FIG. 7 is a bottom plan view of the spa pedicure chair armrest showing my new design with lower remote-control receptacle.

1 Claim, 7 Drawing Sheets



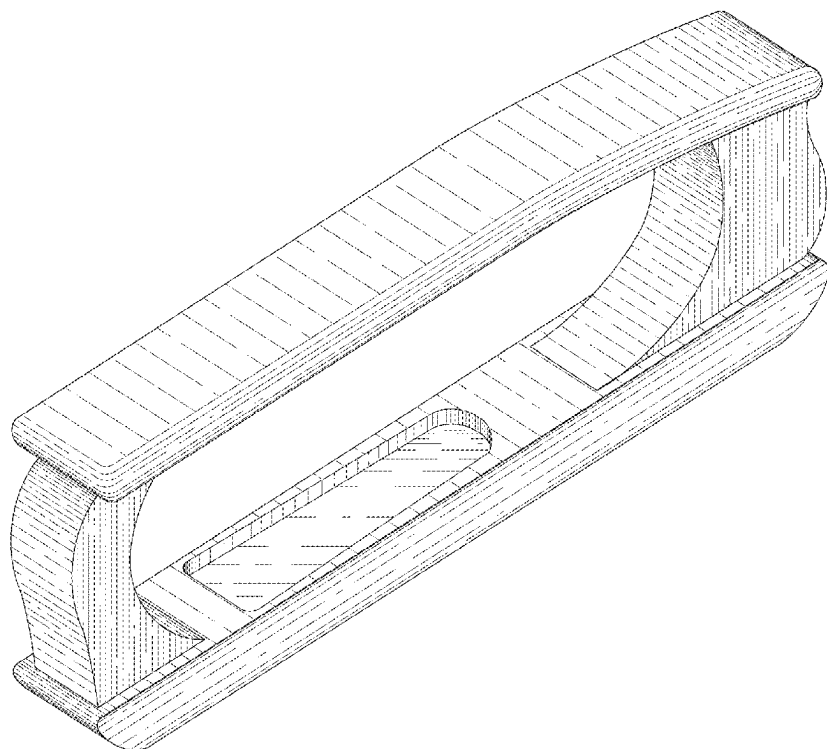


FIG. 1

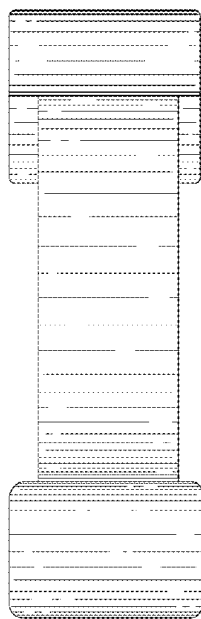


FIG. 2

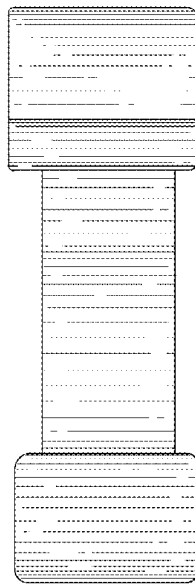


FIG. 3

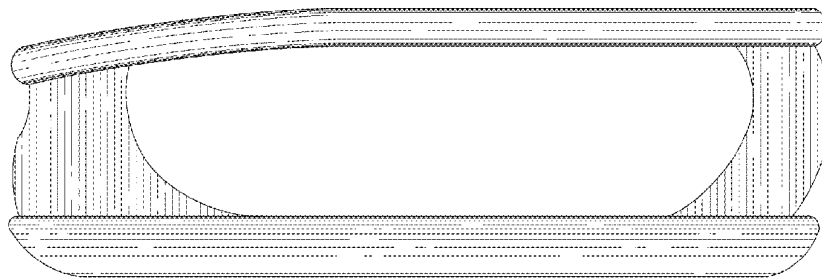


FIG. 4



FIG. 5



FIG. 6



FIG. 7